

S

T

S

L

A

B



RADIO TEST REPORT

Report No.: STS2006194W01

Issued for

SIMCom Wireless Solutions Limited

No.633, Jinzhong Road, Shanghai, China

Product Name:	LTE /GNSS MODULE
Brand Name:	SIMCom
Model Name:	SIM7600NA
Series Model:	SIM7600NA miniPCIE
FCC ID:	2AJYU-8PYA006
Test Standard:	47 CFR Part 2, 22H, 24(E), 27, 90

Any reproduction of this document must be done in full. No single part of this document may be reproduced without permission from STS, All Test Data Presented in this report is only applicable to presented Test sample.

Shenzhen STS Test Services Co., Ltd.
A 1/F, Building B, Zhuoke Science Park, No.190 Chongqing Road, HepingShequ,
Fuyong Sub-District, Bao'an District, Shenzhen, Guang Dong, China
TEL: +86-755 3688 6288 FAX: +86-755 3688 6277 E-mail: sts@stsapp.com





TEST RESULT CERTIFICATION

Applicant's Name: SIMCom Wireless Solutions Limited
 Address: No.633, Jinzhong Road,Shanghai, China
Manufacture's Name: SIMCom Wireless Solutions Limited
 Address: No.633, Jinzhong Road,Shanghai, China

Product Description

Product Name: LTE /GNSS MODULE
 Brand Name: SIMCom
 Model Name: SIM7600NA
 Series Model: SIM7600NA miniPCIE
Test Standards.....: 47 CFR Part 2, 22H, 24(E), 27, 90
 Test Procedure: KDB 971168 D01 v03r01, ANSI C63.26 2015

This device described above has been tested by STS, the test results show that the equipment under test (EUT) is in compliance with the FCC requirements. And it is applicable only to the tested sample identified in the report.
 This report shall not be reproduced except in full, without the written approval of STS, this document may be altered or revised by STS, personal only, and shall be noted in the revision of the document.

Date of Test.....:
 Date of receipt of test item.....: 09 June 2020
 Date (s) of performance of tests.: 09 June 2020 ~ 01 July 2020
 Date of Issue: 01 July 2020
 Test Result: Pass

Testing Engineer : *Chris Chen*

(Chris Chen)

Technical Manager : *Sean She*

(Sean she)

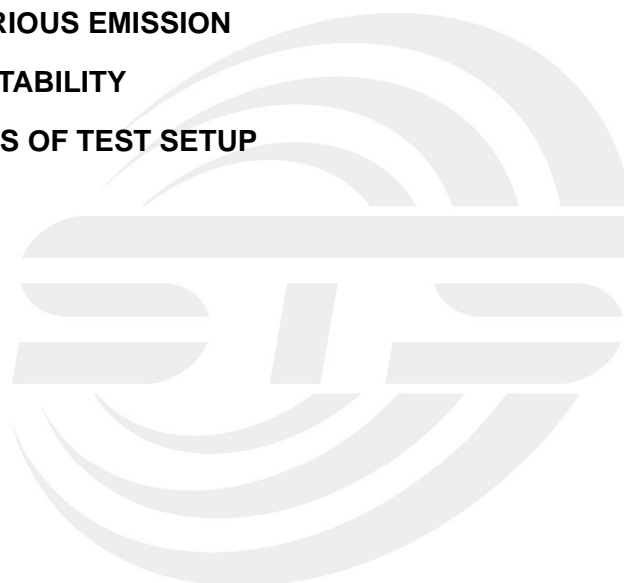
Authorized Signatory : *Vita Li*

(Vita Li)





Table of Contents	Page
1. SUMMARY OF TEST RESULTS	5
2. GENERAL INFORMATION	7
3. CONDUCTED OUTPUT POWER	19
4. PEAK-TO-AVERAGE RATIO	34
5. RADIATED POWER AND EFFECTIVE ISOTROPIC RADIATED POWER	37
6. OCCUPIED BANDWIDTH	56
7. CONDUCTED BAND EDGE	59
8. CONDUCTED SPURIOUS EMISSION	61
9. RADIATED SPURIOUS EMISSION	62
10. FREQUENCY STABILITY	98
APPENDIX-PHOTOS OF TEST SETUP	108



**Revision History**

Rev.	Issue Date	Report NO.	Effect Page	Contents
00	01 July 2020	STS2006194W01	ALL	Initial Issue





1. SUMMARY OF TEST RESULTS

1.1 TEST RESULTS DESCRIPTION AND LABORATORY INFORMATION

FCC Rule	Description	Limit	Result
§2.1046	Conducted Output Power	Reporting Only	PASS
§24.232(d) §22.913(d) §27.50(a)(B)	Peak-to-Average Ratio	<13 dB	PASS
§2.1049 §22.917 §24.238(b) §27.53(h)(3) §27.53(m)(6) §90.209	Occupied Bandwidth	Reporting Only	PASS
§2.1051) §22.917 §24.238(a) §27.53(g) §27.53(h)	Conducted Band Edge Measurement	<43+10log10(P[Watts])	PASS
§27.53(m)(4)		<43+10log10(P[Watts])	PASS
§90.543(e)		< 65+10log10(P[Watts])	PASS
§2.1051 §22.917 §24.238(a) §27.53(g) §27.53(h)	Conducted Spurious Emission	<43+10log10(P[Watts])	PASS
§27.53(m)(4)	Conducted Spurious Emission	< 55+10log10(P[Watts])	PASS
§90.543(e)	Conducted Spurious Emission	< 65+10log10(P[Watts])	PASS
§2.1055 §22.355 §24.235 §27.54 §90.213	Frequency Stability Temperature & Voltage	< 2.5 ppm for Part 22 Within Authorized Band	PASS
§90.539	Frequency Stability Temperature & Voltage	<1.25 ppm	PASS
§27.50(c)(10)	Effective Radiated Power	ERP < 3 Watt	PASS
§24.232(c) §27.50(h)(2)	Equivalent Isotropic Radiated Power	EIRP < 2Watt	PASS
§27.50(d)(4)	Equivalent Isotropic Radiated Power	EIRP < 1Watt	PASS
§22.913	Effective Radiated Power	ERP < 7 Watt	PASS
§90.542	Effective Radiated Power	ERP < 3Watt	PASS
§90.635(b)	Effective Radiated Power	ERP < 100Watt	PASS
§2.1053 §22.917 §24.238(a) §27.53(g) §27.53(h)	Radiated Spurious Emission	< 43+10log10(P[Watts])	PASS
§2.1053 §27.53(m)(4)	Radiated Spurious Emission	< 55+10log10(P[Watts])	PASS
§905.43(e)(3)	Radiated Spurious Emission	< 65+10log10(P[Watts])	PASS



1.2 TEST FACTORY

SHENZHEN STS TEST SERVICES CO., LTD

Add. : A 1/F, Building B, Zhuoke Science Park, No.190 Chongqing Road, HepingShequ, Fuyong Sub-District, Bao'an District, Shenzhen, Guang Dong, China

FCC test Firm Registration Number: 625569

IC test Firm Registration Number: 12108A

A2LA Certificate No.: 4338.01

1.3 MEASUREMENT UNCERTAINTY

The reported uncertainty of measurement $y \pm U$, where expanded uncertainty U is based on a standard uncertainty multiplied by a coverage factor of $k=2$, providing a level of confidence of approximately 95 %.

No.	Item	Uncertainty
1	RF output power, conducted	$\pm 0.68\text{dB}$
2	Unwanted Emissions, conducted	$\pm 2.988\text{dB}$
3	All emissions, radiated 30-1GHz	$\pm 5.6\text{dB}$
4	All emissions, radiated 1G-6GHz	$\pm 5.5\text{dB}$
5	All emissions, radiated >6G	$\pm 5.8\text{dB}$
6	Conducted Emission (9KHz-150KHz)	$\pm 3.37\text{dB}$
7	Conducted Emission (150KHz-30MHz)	$\pm 3.83\text{dB}$



2. GENERAL INFORMATION

2.1 TECHNICAL SPECIFICATIONS AND REGULATIONS

2.1.1 PRODUCT DESCRIPTION

A major technical description of EUT is described as following:

Product Name:	LTE /GNSS MODULE
Trade Name	SIMCom
Model Name	SIM7600NA
Series Model	SIM7600NA miniPCIE
Model Difference	Only different in model name and appearance.
Frequency Bands:	U.S. Bands: LTE FDD Band 2 LTE FDD Band 4 LTE FDD Band 5 LTE FDD Band 12 LTE FDD Band 13 LTE FDD Band 14 LTE FDD Band 25 LTE FDD Band 26 LTE TDD Band 41 LTE FDD Band 66 LTE FDD Band 71 (Note: Band 2 falls completely within the working range of Band 25, Band 4 falls completely within the working range of Band 66, Band 5 falls completely within the working range of Band 26, no separate test required.)
SIM CARD:	Only support single SIM Card.
Antenna:	Dipole
Antenna gain:	Band2:1.87dBi, Band4:3.12dBi, Band5:0.91dBi, Band12:0.95dBi, Band13:2.23dBi, Band14:2.18dBi, Band25:1.87dBi, Band26:1.40dBi, Band41:3.20dBi, Band66:3.12dBi, Band71:-0.48dBi
Power Rating:	Input: 3.8V
Extreme Vol. Limits:	3.3V to 4.2V (Nominal 3.8V)
Extreme Temp. Tolerance:	-40°C to +85°C
Hardware version number:	V1.01
Software version number:	SIM7600NA_V2.0.1



2.1.2 PRODUCT SPECIFICATION SUBJECTIVE TO THIS STANDARD

Product Specification Subjective To This Standard	
Tx Frequency	LTE Band 2:1850~1910MHz LTE Band 4:1710~1755MHz LTE Band 5:824~849MHz LTE Band 12:699~716MHz LTE Band 13:777~787MHz LTE Band 14:788~798MHz LTE Band 25:1850~1915MHz LTE Band 26:814~849MHz LTE Band 41:2496~2690MHz LTE Band 66:1710~1780MHz LTE Band 71:663~698MHz
Rx Frequency	LTE Band 2:1930 ~1990MHz LTE Band 4:2110~2155MHz LTE Band 5:869~894MHz LTE Band 12:729~746MHz LTE Band 13:746~756MHz LTE Band 14:758~768MHz LTE Band 25:1930~1995MHz LTE Band 26:859~894MHz LTE Band 41:2496~2690MHz LTE Band 66:2110~2200MHz LTE Band 71:617~652MHz
Bandwidth	LTE Band 12: 1.4MHz / 3MHz / 5MHz / 10MHz LTE Band 13: 5MHz / 10MHz LTE Band 14: 5MHz / 10MHz LTE Band 25: 1.4MHz / 3MHz / 5MHz / 10MHz / 15MHz /20MHz LTE Band 26: 1.4MHz / 3MHz / 5MHz / 10MHz/15MHz LTE Band 41: 5MHz / 10MHz / 15MHz /20MHz LTE Band 66: 1.4MHz / 3MHz / 5MHz / 10MHz / 15MHz /20MHz LTE Band 71: 5MHz / 10MHz / 15MHz /20MHz
Maximum Output Power	LTE Band 12: 25.41 dBm LTE Band 13: 23.15 dBm LTE Band 14: 21.24 dBm LTE Band 25: 22.84 dBm LTE Band 26: 24.97 dBm LTE Band 41: 22.93 dBm LTE Band 66: 23.57 dBm LTE Band 71: 22.08 dBm
Type of Modulation	QPSK /16QAM



RF Function	Band	UE Category UL	Modulation	Power Class	Ant Gain(dBi)	Ant Type	SIM Card
LTE	FDD:2/4/5/1 2/13/14/25/ 26/66/71	1	QPSK, 16QAM	3	Band2:1.87dBi Band4:3.12dBi Band5:0.91dBi Band12:0.95dBi Band13:2.23dBi Band14:2.18dBi Band25:1.87dBi Band26:1.40dBi Band41:3.20dBi Band66:3.12dBi Band71:-0.48dBi	Dipole antenna	1 SIM 1 is used to tested.
	TDD:41						





2.1.3 EMISSION DESIGNATOR

LTE Band 12	Emission Designator	Emission Designator
BW(MHz)	(26dBc)QPSK	(26dBc)16QAM
1.4	1M31G7D	1M31W7D
3	2M93G7D	2M94W7D
5	5M00G7D	5M03W7D
10	9M75G7D	/
LTE Band 13	Emission Designator	Emission Designator
BW(MHz)	(26dBc)QPSK	(26dBc)16QAM
5	5M03G7D	5M03W7D
10	9M68G7D	/
LTE Band 14	Emission Designator	Emission Designator
BW(MHz)	(26dBc)QPSK	(26dBc)16QAM
5	5M01G7D	5M03W7D
10	9M77G7D	/
LTE Band 25	Emission Designator	Emission Designator
BW(MHz)	(26dBc)QPSK	(26dBc)16QAM
1.4	1M33G7D	1M31W7D
3	2M94G7D	2M95W7D
5	5M03G7D	5M03W7D
10	9M77G7D	/
15	14M8G7D	/
20	19M4G7D	/
LTE Band 26 (Part 22)	Emission Designator	Emission Designator
BW(MHz)	(26dBc)QPSK	(26dBc)16QAM
1.4	1M31G7D	1M30W7D
3	2M95G7D	2M95W7D
5	5M01G7D	5M03W7D
10	9M73G7D	/
15	14M8G7D	/
LTE Band 26 (Part 90)	Emission Designator	Emission Designator
BW(MHz)	(26dBc)QPSK	(26dBc)16QAM
1.4	1M36G7D	1M31W7D
3	2M95G7D	2M94W7D
5	5M04G7D	5M03W7D
10	9M75G7D	/
LTE Band 41	Emission Designator	Emission Designator
BW(MHz)	(26dBc)QPSK	(26dBc)16QAM
5	5M32G7D	5M42W7D
10	10M2G7D	/
15	16M3G7D	/
20	19M4G7D	/



LTE Band 66	Emission Designator	Emission Designator
BW(MHz)	(26dBc)QPSK	(26dBc)16QAM
1.4	1M32G7D	1M31W7D
3	2M93G7D	2M93W7D
5	5M02G7D	5M04W7D
10	9M71G7D	/
15	14M7G7D	/
20	19M3G7D	/
LTE Band 71	Emission Designator	Emission Designator
BW(MHz)	(26dBc)QPSK	(26dBc)16QAM
5	5M04G7D	5M04W7D
10	9M83G7D	/
15	14M7G7D	/
20	19M2G7D	/





2.1.4 TEST CONFIGURATION OF EQUIPMENT UNDER TEST

Antenna port conducted and radiated test items listed below are performed according to KDB 971168 D01 v03r01 and ANSI C63.26 2015 Power Meas. License Digital Systems with maximum output power. Radiated measurements are performed by rotating the EUT in three different orthogonal test planes to find the maximum emission.

Remark:

1. The mark 'v' means that this configuration is chosen for testing
2. The mark '-' means that this bandwidth is not supported.
3. The device is investigated from 30MHz to 10 times of fundamental signal for radiated.

ITEMS	Band	Bandwidth (MHz)						Modulation		RB #			Test Channel		
		1.4	3	5	10	15	20	QPSK	16QAM	1	Half	Full	L	M	H
Max. Output Power	2	v	v	v	v	v	v	v	v	v	v	v	v	v	v
	4	v	v	v	v	v	v	v	v	v	v	v	v	v	v
	5	v	v	v	v			v	v	v	v	v	v	v	v
	12	v	v	v	v			v	v	v	v	v	v	v	v
	13			v	v			v	v	v	v	v		v	
	14			v	v			v	v	v	v	v		v	
	25	v	v	v	v	v	v	v	v	v	v	v	v	v	v
	26	v	v	v	v	v		v	v	v	v	v	v	v	v
	41			v	v	v	v	v	v	v	v	v	v	v	v
	66	v	v	v	v	v	v	v	v	v	v	v	v	v	v
Peak&Avera Ratio	2						v	v	v	v		v	v	v	v
	4						v	v	v	v		v	v	v	v
	5				v			v	v	v		v	v	v	v
	12				v			v	v	v		v	v	v	v
	13				v			v	v	v		v		v	
	14				v			v	v	v		v		v	
	25						v	v	v	v		v	v	v	v
	26					v		v	v	v		v	v	v	v
	41						v	v	v	v		v	v	v	v
	66						v	v	v	v		v	v	v	v
71						v	v	v	v		v	v	v	v	



26dB&99% Bandwidth	2	v	v	v	v	v	v	v	v			v	v	v	v
	4	v	v	v	v	v	v	v	v			v	v	v	v
	5	v	v	v	v			v	v			v	v	v	v
	12	v	v	v	v			v	v			v	v	v	v
	13			v	v			v	v			v		v	
	14			v	v			v	v			v		v	
	25	v	v	v	v	v	v	v	v			v	v	v	v
	26	v	v	v	v	v		v	v			v	v	v	v
	41			v	v	v	v	v	v			v	v	v	v
	66	v	v	v	v	v	v	v	v			v	v	v	v
	71			v	v	v	v	v	v			v	v	v	v
Conducted Band Edge	2	v	v	v	v	v	v	v	v	v		v	v	v	v
	4	v	v	v	v	v	v	v	v	v		v	v	v	v
	5	v	v	v	v			v	v	v		v	v	v	v
	12	v	v	v	v			v	v	v		v	v	v	v
	13			v	v			v	v	v		v		v	
	14			v	v			v	v	v		v		v	
	25	v	v	v	v	v	v	v	v	v		v	v	v	v
	26	v	v	v	v	v		v	v	v		v	v	v	v
	41			v	v	v	v	v	v	v		v	v	v	v
	66	v	v	v	v	v	v	v	v	v		v	v	v	v
	71			v	v	v	v	v	v	v		v	v	v	v
Conducted Spurious Emission	2	v	v	v	v	v	v	v	v	v		v	v	v	v
	4	v	v	v	v	v	v	v	v	v		v	v	v	v
	5	v	v	v	v			v	v	v		v	v	v	v
	12	v	v	v	v			v	v	v		v	v	v	v
	13			v	v			v	v	v				v	
	14			v	v			v	v	v				v	
	25	v	v	v	v	v	v	v	v	v		v	v	v	v
	26	v	v	v	v	v		v	v	v		v	v	v	v
	41			v	v	v	v	v	v	v		v	v	v	v
	66	v	v	v	v	v	v	v	v	v		v	v	v	v
	71			v	v	v	v	v	v	v		v	v	v	v



Frequency Stability	2				v			v				v		v	
	4				v			v				v		v	
	5				v			v				v		v	
	12				v			v				v		v	
	13				v			v				v		v	
	14				v			v				v		v	
	25				v			v				v		v	
	26				v			v				v		v	
	41				v			v				v		v	
	66				v			v				v		v	
	71				v			v				v		v	
E.R.P.& E.I.R.P.	2	v	v	v	v	v	v	v	v	v			v	v	v
	4	v	v	v	v	v	v	v	v	v			v	v	v
	5	v	v	v	v			v	v	v			v	v	v
	12	v	v	v	v			v	v	v			v	v	v
	13			v	v			v	v	v				v	
	14			v	v			v	v	v				v	
	25	v	v	v	v	v	v	v	v	v			v	v	v
	26	v	v	v	v	v		v	v	v			v	v	v
	41			v	v	v	v	v	v	v			v	v	v
	66	v	v	v	v	v	v	v	v	v			v	v	v
	71			v	v	v	v	v	v	v			v	v	v
Radiated Spurious Emission	2	v	v	v	v	v	v	v		v			v	v	v
	4	v	v	v	v	v	v	v		v			v	v	v
	5	v	v	v	v			v		v			v	v	v
	12	v	v	v	v			v		v			v	v	v
	13			v	v			v		v				v	
	14			v	v			v		v				v	
	25	v	v	v	v	v	v	v		v			v	v	v
	26	v	v	v	v	v		v		v			v	v	v
	41			v	v	v	v	v		v			v	v	v
	66	v	v	v	v	v	v	v		v			v	v	v
	71			v	v	v	v	v		v			v	v	v



2.1.5 RELATED SUBMITTAL(S) / GRANT (S)

This submittal(s) (test report) is intended for filing to comply with the 47 CFR Part 2, 22H, 24(E), 27, 90.

2.1.6 SPECIAL ACCESSORIES

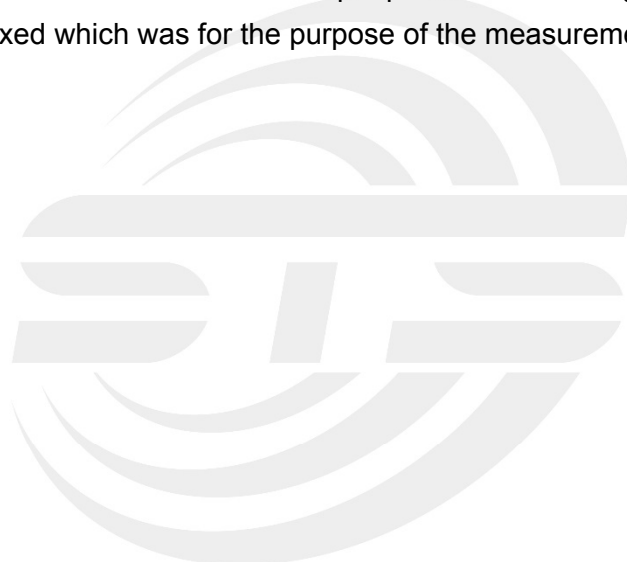
The battery and the charger, earphone supplied by the applicant were used as accessories and being tested with eut intended for fcc grant together.

2.1.7 EUT CONFIGURATION

The EUT configuration for testing is installed on RF field strength measurement to meet the Commission's requirement and operating in a manner which intends to maximize its emission characteristics in a continuous normal application.

2.1.8 EUT EXERCISE

The Transmitter was operated in the maximum output power mode through Communication Tester. The TX frequency was fixed which was for the purpose of the measurements.



2.1.9 CONFIGURATION OF EUT SYSTEM

The EUT configuration for testing is installed on RF field strength measurement to meet the Commission’s requirement and operating in a manner which intends to maximize its emission characteristics in a continuous normal application.

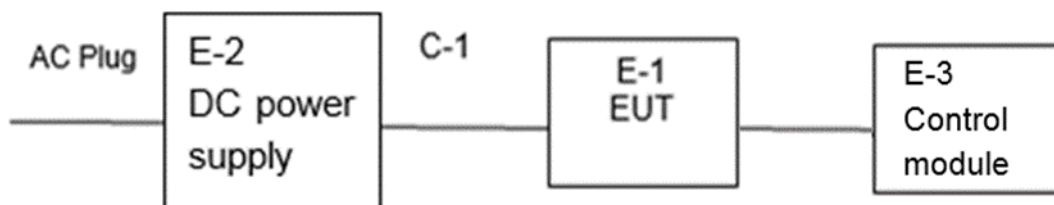


Table 2-1 Equipment Used in EUT System

Item	Equipment	Model No.	Length	Note
E-2	DC power supply	HONGSHENGFENG	N/A	N/A
E-3	Control module	SIM7100-PCIE-EUB	N/A	Use the buckle method to insert the EUT into the control module, and the control module is only a test auxiliary device.
C-1	USB Cable	N/A	120cm	N/A

Note:

- (1) The support equipment was authorized by Declaration of Confirmation.
- (2) For detachable type I/O cable should be specified the length in cm in 『Length』 column.



2.1.10 MEASUREMENT INSTRUMENTS

The radiated emission testing was performed according to the procedures of ANSI C63.26 2015 and FCC CFR 47 rules of 2.1046, 2.1047, 2.1049, 2.1051, 2.1053, 2.1055, 2.1057.

Radiation Test equipment

Kind of Equipment	Manufacturer	Type No.	Serial No.	Last calibration	Calibrated until
Test Receiver	R&S	ESCI	101427	2019.10.09	2020.10.08
Signal Analyzer	Agilent	N9020A	MY51110105	2020.03.05	2021.03.04
Wireless Communications Test Set	R&S	CMW 500	133884	2020.03.05	2021.03.04
Bilog Antenna	TESEQ	CBL6111D	34678	2017.11.02	2020.11.1
Horn Antenna	SCHWARZBECK	BBHA 9120D(1201)	9120D-1343	2018.10.19	2021.10.18
SHF-EHF Horn Antenna (18G-40GHz)	A-INFO	LB-180400-KF	J211020657	2018.03.11	2021.03.10
Pre-Amplifier (0.1M-3GHz)	EM	EM330	060665	2019.10.09	2020.10.08
Pre-Amplifier (1G-18GHz)	SKET	LNPA-01018G-45	SK2018080901	2019.10.12	2020.10.11
Pre-Amplifier (18G-40GHz)	SKET	LNPA-1840-50	SK2018101801	2019.10.12	2020.10.11
Turn table	EM	SC100_1	60531	N/A	N/A
Antenna mast	EM	SC100	N/A	N/A	N/A
Temperature & Humidity	HH660	Mieo	N/A	2019.10.17	2020.10.16
Test SW	BULUN	BL410-E/18.905			

RF Connected Test

Kind of Equipment	Manufacturer	Type No.	Serial No.	Last calibration	Calibrated until
Universal Radio communication tester	R&S	CMU200	119907	2020.10.11	2021.10.10
Wireless Communications Test Set	R&S	CMW 500	133884	2020.03.05	2021.03.04
Signal Analyzer	Agilent	N9020A	MY49100060	2019.10.09	2020.10.08
Temperature & Humidity	HH660	Mieo	N/A	2019.10.17	2020.10.16
Test SW	FARAD	LZ-RF /LzRf-3A3			



2.1.11 MEASUREMENT RESULTS EXPLANATION EXAMPLE

For all conducted test items:

The offset level is set in the spectrum analyzer to compensate the RF cable loss and attenuator factor between EUT conducted output port and spectrum analyzer. With the offset compensation, the spectrum analyzer reading level is exactly the EUT RF output level.

The spectrum analyzer offset is derived from RF cable loss and attenuator factor.

Offset = RF Cable Loss + Attenuator Factor.



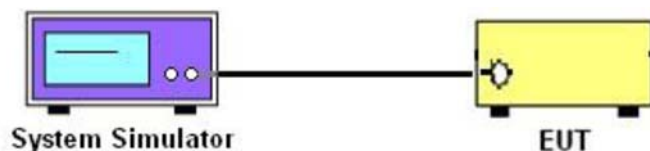
3. CONDUCTED OUTPUT POWER

3.1 DESCRIPTION OF THE CONDUCTED OUTPUT POWER MEASUREMENT

3.1.1 MEASUREMENT METHOD

A system simulator was used to establish communication with the eut. Its parameters were set to force the eut transmitting at maximum output power. The measured power in the radio frequency on the transmitter output terminals shall be reported. Configuration follows KDB 971168 D01 v03r01.

3.1.2 TEST SETUP



3.1.3 TEST PROCEDURES

1. The transmitter output port was connected to system simulator.
2. Set EUT at maximum power through the system simulator.
3. Select lowest/middle/highest channels for each band and different modulation.
4. Measure and record the power level from the system simulator.



3.1.4 TEST RESULTS

LTE Band 12 Maximum Average Power [dBm]						
BW [MHz]	RB Size	RB Offset	Mod	Lowest	Middle	Highest
1.4	1	0	QPSK	24.39	24.33	24.38
1.4	1	2		24.11	24.11	24.1
1.4	1	5		23.89	23.83	23.84
1.4	3	0		23.68	23.61	23.58
1.4	3	1		23.41	23.33	23.3
1.4	3	2		23.13	23.07	23.02
1.4	6	0		22.88	22.81	22.78
1.4	1	0	16-QAM	24.13	24.11	24.13
1.4	1	2		23.88	23.89	23.9
1.4	1	5		23.58	23.59	23.69
1.4	3	0		23.31	23.3	23.42
1.4	3	1		23.02	23.06	23.18
1.4	3	2		22.81	22.82	22.88
1.4	6	0		22.58	22.55	22.64
3	1	0	QPSK	24.57	24.57	24.55
3	1	7		24.35	24.32	24.29
3	1	14		24.13	24.04	24.02
3	8	0		23.84	23.83	23.76
3	8	4		23.63	23.53	23.53
3	8	7		23.4	23.28	23.23
3	15	0		23.15	23.02	22.94
3	1	0	16-QAM	24.29	24.31	24.35
3	1	7		24	24.09	24.15
3	1	14		23.78	23.8	23.91
3	8	0		23.56	23.51	23.69
3	8	4		23.3	23.23	23.39
3	8	7		23.04	23.01	23.11
3	15	0		22.74	22.72	22.91



LTE Band 12 Maximum Average Power [dBm]						
BW [MHz]	RB Size	RB Offset	Mod	Lowest	Middle	Highest
5	1	0	QPSK	24.83	24.86	24.88
5	1	12		24.57	24.57	24.59
5	1	24		24.31	24.28	24.38
5	12	0		24.04	24.04	24.17
5	12	6		23.81	23.77	23.95
5	12	11		23.53	23.54	23.68
5	25	0		23.27	23.28	23.42
5	1	0	16-QAM	24.56	24.59	24.6
5	1	12		24.29	24.31	24.39
5	1	24		24.06	24.02	24.12
5	12	0		23.79	23.76	23.87
5	12	6		23.54	23.53	23.63
5	12	11		23.27	23.24	23.36
5	25	0		23.05	22.97	23.11
10	1	0	QPSK	25.41	25.37	25.24
10	1	24		25.14	25.13	25.02
10	1	49		24.93	24.91	24.78
10	25	0		24.7	24.7	24.51
10	25	12		24.47	24.49	24.24
10	25	24		24.21	24.27	23.98
10	50	0		23.93	24.02	23.71





LTE Band 13 Maximum Average Power [dBm]						
BW [MHz]	RB Size	RB Offset	Mod	Lowest	Middle	Highest
5	1	0	QPSK	23.11	23.01	23.07
5	1	12		22.85	22.78	22.84
5	1	24		22.6	22.53	22.64
5	12	0		22.32	22.25	22.42
5	12	6		22.06	21.99	22.18
5	12	11		21.78	21.71	21.93
5	25	0		21.52	21.44	21.67
5	1	0		22.87	22.8	22.81
5	1	12	16-QAM	22.61	22.58	22.54
5	1	24		22.31	22.3	22.33
5	12	0		22.09	22.07	22.09
5	12	6		21.89	21.83	21.87
5	12	11		21.69	21.56	21.62
5	25	0		21.43	21.32	21.35
10	1	0		QPSK	N/A	23.15
10	1	24	N/A		22.94	N/A
10	1	49	N/A		22.68	N/A
10	25	0	N/A		22.4	N/A
10	25	12	N/A		22.14	N/A
10	25	24	N/A		21.94	N/A
10	50	0	N/A		21.72	N/A





LTE Band 14 Maximum Average Power [dBm]						
BW [MHz]	RB Size	RB Offset	Mod	Lowest	Middle	Highest
5	1	0	QPSK	21.13	21.10	21.01
5	1	12		20.88	20.82	20.76
5	1	24		20.65	20.58	20.49
5	12	0		20.41	20.33	20.22
5	12	6		20.14	20.08	19.96
5	12	11		19.91	19.79	19.75
5	25	0		19.64	19.57	19.52
5	1	0		20.90	20.87	20.74
5	1	12	16-QAM	20.70	20.60	20.49
5	1	24		20.49	20.32	20.21
5	12	0		20.25	20.05	20.00
5	12	6		19.99	19.83	19.73
5	12	11		19.75	19.53	19.48
5	25	0		19.54	19.27	19.25
10	1	0		QPSK	N/A	21.24
10	1	24	N/A		20.96	N/A
10	1	49	N/A		20.71	N/A
10	25	0	N/A		20.46	N/A
10	25	12	N/A		20.24	N/A
10	25	24	N/A		20.02	N/A
10	50	0	N/A		19.73	N/A





LTE Band 25 Maximum Average Power [dBm]						
BW [MHz]	RB Size	RB Offset	Mod	Lowest	Middle	Highest
1.4	1	0	QPSK	22.53	22.41	22.36
1.4	1	2		22.31	22.11	22.11
1.4	1	5		22.02	21.82	21.85
1.4	3	0		21.76	21.58	21.6
1.4	3	1		21.48	21.3	21.37
1.4	3	2		21.23	21.06	21.13
1.4	6	0		20.97	20.81	20.87
1.4	1	0		16-QAM	22.32	22.14
1.4	1	2	22.09		21.85	21.85
1.4	1	5	21.85		21.59	21.62
1.4	3	0	21.6		21.32	21.32
1.4	3	1	21.31		21.03	21.1
1.4	3	2	21.04		20.83	20.85
1.4	6	0	20.8		20.55	20.56
3	1	0	QPSK	22.24	22.26	22.22
3	1	7		21.99	21.98	21.99
3	1	14		21.77	21.71	21.75
3	8	0		21.56	21.43	21.53
3	8	4		21.28	21.2	21.25
3	8	7		21.03	20.98	21.01
3	15	0		20.75	20.75	20.76
3	1	0	16-QAM	22	22.04	21.94
3	1	7		21.74	21.79	21.7
3	1	14		21.5	21.53	21.49
3	8	0		21.21	21.29	21.2
3	8	4		20.97	21	20.92
3	8	7		20.75	20.75	20.72
3	15	0		20.48	20.51	20.44



LTE Band 25 Maximum Average Power [dBm]						
BW [MHz]	RB Size	RB Offset	Mod	Lowest	Middle	Highest
5	1	0	QPSK	22.4	22.33	22.36
5	1	12		22.11	22.13	22.12
5	1	24		21.88	21.89	21.84
5	12	0		21.62	21.6	21.58
5	12	6		21.33	21.37	21.34
5	12	11		21.11	21.1	21.09
5	25	0		20.86	20.83	20.86
5	1	0	16-QAM	22.15	22.07	22.07
5	1	12		21.94	21.78	21.83
5	1	24		21.73	21.58	21.54
5	12	0		21.46	21.31	21.34
5	12	6		21.24	21.1	21.09
5	12	11		20.95	20.86	20.79
5	25	0	20.74	20.62	20.51	
10	1	0	QPSK	22.61	22.54	22.49
10	1	24		22.37	22.31	22.23
10	1	49		22.08	22.1	21.96
10	25	0		21.8	21.9	21.7
10	25	12		21.51	21.66	21.49
10	25	24		21.3	21.43	21.27
10	50	0	21.06	21.2	21.04	

LTE Band 25 Maximum Average Power [dBm]						
BW [MHz]	RB Size	RB Offset	Mod	Lowest	Middle	Highest
15	1	0	QPSK	22.73	22.75	22.7
15	1	37		22.52	22.48	22.44
15	1	74		22.3	22.19	22.22
15	36	0		22.01	21.95	21.96
15	36	18		21.75	21.72	21.72
15	36	39		21.47	21.49	21.51
15	75	0		21.21	21.2	21.22
20	1	0	QPSK	22.72	22.81	22.84
20	1	49		22.43	22.57	22.62
20	1	99		22.16	22.33	22.36
20	50	0		21.92	22.04	22.09
20	50	24		21.65	21.75	21.84
20	50	49		21.44	21.45	21.61
20	100	0	21.16	21.23	21.35	



LTE Band 26(Part 22) Maximum Average Power [dBm]						
BW [MHz]	RB Size	RB Offset	Mod	Lowest	Middle	Highest
1.4	1	0	QPSK	24.34	24.24	24.38
1.4	1	2		24.1	23.95	24.13
1.4	1	5		23.86	23.72	23.86
1.4	3	0		23.61	23.44	23.59
1.4	3	1		23.31	23.23	23.37
1.4	3	2		23.01	22.98	23.16
1.4	6	0		22.81	22.77	22.94
1.4	1	0	16-QAM	24.05	23.98	24.09
1.4	1	2		23.81	23.71	23.79
1.4	1	5		23.59	23.44	23.57
1.4	3	0		23.36	23.15	23.27
1.4	3	1		23.1	22.9	23.05
1.4	3	2		22.86	22.69	22.78
1.4	6	0		22.63	22.47	22.55
3	1	0	QPSK	24.39	24.58	24.4
3	1	7		24.1	24.35	24.18
3	1	14		23.83	24.13	23.9
3	8	0		23.56	23.91	23.62
3	8	4		23.29	23.65	23.4
3	8	7		23.01	23.42	23.15
3	15	0		22.72	23.2	22.94
3	1	0	16-QAM	24.13	24.35	24.12
3	1	7		23.87	24.08	23.89
3	1	14		23.62	23.84	23.6
3	8	0		23.32	23.57	23.33
3	8	4		23.09	23.3	23.09
3	8	7		22.8	23.06	22.83
3	15	0		22.5	22.79	22.61



LTE Band 26(Part 22) Maximum Average Power [dBm]						
BW [MHz]	RB Size	RB Offset	Mod	Lowest	Middle	Highest
5	1	0	QPSK	24.65	24.34	24.51
5	1	12		24.43	24.08	24.26
5	1	24		24.15	23.79	24.02
5	12	0		23.87	23.51	23.8
5	12	6		23.61	23.25	23.53
5	12	11		23.32	23.01	23.32
5	25	0		23.04	22.8	23.1
5	1	0	16-QAM	24.37	24.1	24.3
5	1	12		24.12	23.81	24.06
5	1	24		23.84	23.52	23.79
5	12	0		23.62	23.3	23.53
5	12	6		23.39	23.01	23.24
5	12	11		23.15	22.78	22.95
5	25	0		22.95	22.55	22.67
10	1	0	QPSK	24.83	24.81	24.77
10	1	24		24.61	24.55	24.53
10	1	49		24.32	24.31	24.33
10	25	0		24.11	24.02	24.07
10	25	12		23.9	23.78	23.81
10	25	24		23.63	23.49	23.57
10	50	0		23.37	23.28	23.34

LTE Band 26(Part 22) Maximum Average Power [dBm]						
BW [MHz]	RB Size	RB Offset	Mod	Lowest	Middle	Highest
15	1	0	QPSK	24.97	24.93	24.93
15	1	37		24.7	24.73	24.71
15	1	74		24.45	24.5	24.43
15	36	0		24.22	24.26	24.21
15	36	18		23.92	23.97	23.92
15	36	39		23.63	23.73	23.72
15	75	0		23.39	23.5	23.46



LTE Band 26(Part 90) Maximum Average Power [dBm]						
BW [MHz]	RB Size	RB Offset	Mod	Lowest	Middle	Highest
1.4	1	0	QPSK	24.21	24.18	24.17
1.4	1	2		23.95	23.94	23.88
1.4	1	5		23.66	23.7	23.65
1.4	3	0		23.46	23.49	23.39
1.4	3	1		23.24	23.25	23.17
1.4	3	2		23	23.05	22.89
1.4	6	0		22.71	22.78	22.61
1.4	1	0	16-QAM	23.98	23.98	23.93
1.4	1	2		23.69	23.77	23.67
1.4	1	5		23.48	23.54	23.47
1.4	3	0		23.27	23.27	23.25
1.4	3	1		23.07	23	23
1.4	3	2		22.77	22.7	22.79
1.4	6	0		22.51	22.45	22.58
3	1	0	QPSK	24.13	24.18	24.2
3	1	7		23.88	23.94	23.94
3	1	14		23.64	23.69	23.74
3	8	0		23.35	23.48	23.45
3	8	4		23.05	23.24	23.18
3	8	7		22.8	22.97	22.97
3	15	0		22.57	22.73	22.71
3	1	0	16-QAM	23.84	23.93	23.93
3	1	7		23.55	23.65	23.66
3	1	14		23.29	23.41	23.45
3	8	0		23.08	23.18	23.16
3	8	4		22.79	22.92	22.89
3	8	7		22.53	22.67	22.66
3	15	0		22.27	22.47	22.42



LTE Band 26(Part 90) Maximum Average Power [dBm]						
BW [MHz]	RB Size	RB Offset	Mod	Lowest	Middle	Highest
5	1	0	QPSK	24.33	24.37	24.31
5	1	12		24.04	24.11	24.06
5	1	24		23.8	23.82	23.85
5	12	0		23.55	23.6	23.61
5	12	6		23.31	23.34	23.36
5	12	11		23.09	23.14	23.12
5	25	0		22.88	22.88	22.91
5	1	0		24.06	24.1	24.08
5	1	12	16-QAM	23.78	23.81	23.82
5	1	24		23.51	23.51	23.54
5	12	0		23.24	23.24	23.32
5	12	6		23	23.04	23.02
5	12	11		22.79	22.75	22.79
5	25	0		22.57	22.47	22.56
10	1	0		QPSK	N/A	24.51
10	1	24	N/A		24.26	N/A
10	1	49	N/A		24	N/A
10	25	0	N/A		23.8	N/A
10	25	12	N/A		23.58	N/A
10	25	24	N/A		23.36	N/A
10	50	0	N/A		23.14	N/A





LTE Band 41 Maximum Average Power [dBm]						
BW [MHz]	RB Size	RB Offset	Mod	Lowest	Middle	Highest
5	1	0	QPSK	22.55	22.50	22.48
5	1	12		22.29	22.27	22.19
5	1	24		22.04	22.01	21.98
5	12	0		21.80	21.72	21.73
5	12	6		21.51	21.45	21.50
5	12	11		21.25	21.23	21.20
5	25	0		20.98	20.94	20.92
5	1	0	16-QAM	22.33	22.23	22.27
5	1	12		22.10	21.99	21.97
5	1	24		21.81	21.78	21.73
5	12	0		21.61	21.54	21.52
5	12	6		21.32	21.33	21.30
5	12	11		21.08	21.04	21.07
5	25	0	20.84	20.78	20.81	
10	1	0	QPSK	22.63	22.58	22.60
10	1	24		22.37	22.31	22.38
10	1	49		22.15	22.08	22.16
10	25	0		21.86	21.79	21.93
10	25	12		21.66	21.51	21.71
10	25	24		21.41	21.23	21.50
10	50	0	21.14	20.99	21.20	

LTE Band 41 Maximum Average Power [dBm]						
BW [MHz]	RB Size	RB Offset	Mod	Lowest	Middle	Highest
15	1	0	QPSK	22.81	22.75	22.77
15	1	37		22.55	22.47	22.55
15	1	74		22.25	22.17	22.28
15	36	0		21.96	21.91	22.00
15	36	18		21.76	21.66	21.79
15	36	39		21.52	21.37	21.56
15	75	0		21.23	21.08	21.34
20	1	0	QPSK	22.93	22.90	22.83
20	1	49		22.65	22.67	22.56
20	1	99		22.44	22.39	22.35
20	50	0		22.18	22.18	22.07
20	50	24		21.95	21.90	21.80
20	50	49		21.73	21.65	21.54
20	100	0		21.45	21.42	21.30



LTE Band 66 Maximum Average Power [dBm]						
BW [MHz]	RB Size	RB Offset	Mod	Lowest	Middle	Highest
1.4	1	0	QPSK	23.31	23.37	23.34
1.4	1	2		23.03	23.17	23.13
1.4	1	5		22.77	22.95	22.91
1.4	3	0		22.47	22.67	22.62
1.4	3	1		22.19	22.39	22.39
1.4	3	2		21.93	22.13	22.17
1.4	6	0		21.69	21.86	21.92
1.4	1	0	16-QAM	23.05	23.16	23.05
1.4	1	2		22.82	22.96	22.83
1.4	1	5		22.58	22.76	22.54
1.4	3	0		22.37	22.47	22.25
1.4	3	1		22.15	22.23	22.02
1.4	3	2		21.94	21.99	21.76
1.4	6	0		21.71	21.7	21.54
3	1	0	QPSK	23.35	23.37	23.29
3	1	7		23.09	23.1	23.06
3	1	14		22.88	22.86	22.77
3	8	0		22.68	22.56	22.56
3	8	4		22.4	22.35	22.3
3	8	7		22.14	22.14	22.02
3	15	0		21.92	21.93	21.79
3	1	0	16-QAM	23.07	23.09	23.08
3	1	7		22.82	22.84	22.82
3	1	14		22.62	22.55	22.53
3	8	0		22.36	22.29	22.26
3	8	4		22.11	22.09	21.99
3	8	7		21.87	21.82	21.75
3	15	0		21.65	21.56	21.49



LTE Band 66 Maximum Average Power [dBm]						
BW [MHz]	RB Size	RB Offset	Mod	Lowest	Middle	Highest
5	1	0	QPSK	23.21	23.18	23.19
5	1	12		23	22.9	22.92
5	1	24		22.77	22.66	22.71
5	12	0		22.57	22.39	22.48
5	12	6		22.32	22.13	22.19
5	12	11		22.06	21.85	21.89
5	25	0		21.85	21.6	21.66
5	1	0	16-QAM	22.96	22.97	22.94
5	1	12		22.72	22.7	22.67
5	1	24		22.52	22.5	22.42
5	12	0		22.27	22.22	22.2
5	12	6		22.02	21.98	21.93
5	12	11		21.8	21.7	21.66
5	25	0		21.53	21.41	21.4
10	1	0	QPSK	23.22	23.27	23.33
10	1	24		22.95	22.97	23.05
10	1	49		22.74	22.68	22.85
10	25	0		22.46	22.41	22.59
10	25	12		22.22	22.13	22.32
10	25	24		21.96	21.91	22.11
10	50	0		21.73	21.65	21.83

LTE Band 66 Maximum Average Power [dBm]						
BW [MHz]	RB Size	RB Offset	Mod	Lowest	Middle	Highest
15	1	0	QPSK	23.38	23.45	23.41
15	1	37		23.09	23.19	23.14
15	1	74		22.86	22.98	22.87
15	36	0		22.6	22.76	22.62
15	36	18		22.36	22.54	22.39
15	36	39		22.07	22.33	22.13
15	75	0		21.83	22.09	21.84
20	1	0	QPSK	23.57	23.49	23.53
20	1	49		23.27	23.24	23.27
20	1	99		23	23.01	22.98
20	50	0		22.78	22.74	22.71
20	50	24		22.57	22.52	22.44
20	50	49		22.34	22.28	22.23
20	100	0		22.08	21.98	22



LTE Band 71 Maximum Average Power [dBm]						
BW [MHz]	RB Size	RB Offset	Mod	Lowest	Middle	Highest
5	1	0	QPSK	21.83	21.85	21.87
5	1	12		21.59	21.57	21.59
5	1	24		21.30	21.32	21.35
5	12	0		21.04	21.05	21.06
5	12	6		20.79	20.79	20.77
5	12	11		20.56	20.49	20.54
5	25	0		20.31	20.22	20.32
5	1	0	16-QAM	21.58	21.60	21.67
5	1	12		21.32	21.35	21.39
5	1	24		21.11	21.09	21.12
5	12	0		20.81	20.86	20.91
5	12	6		20.55	20.61	20.67
5	12	11		20.29	20.39	20.46
5	25	0	20.01	20.18	20.18	
10	1	0	QPSK	21.87	21.95	21.84
10	1	24		21.63	21.70	21.60
10	1	49		21.38	21.45	21.39
10	25	0		21.13	21.16	21.15
10	25	12		20.84	20.87	20.87
10	25	24		20.63	20.59	20.66
10	50	0	20.39	20.36	20.39	

LTE Band 71 Maximum Average Power [dBm]						
BW [MHz]	RB Size	RB Offset	Mod	Lowest	Middle	Highest
15	1	0	QPSK	21.94	21.97	21.98
15	1	37		21.65	21.71	21.73
15	1	74		21.35	21.50	21.47
15	36	0		21.12	21.25	21.18
15	36	18		20.90	20.96	20.98
15	36	39		20.63	20.72	20.74
15	75	0		20.38	20.44	20.45
20	1	0	QPSK	22.08	22.06	22.00
20	1	49		21.87	21.77	21.71
20	1	99		21.59	21.52	21.50
20	50	0		21.34	21.25	21.28
20	50	24		21.11	21.03	21.03
20	50	49		20.89	20.80	20.79
20	100	0		20.65	20.57	20.56

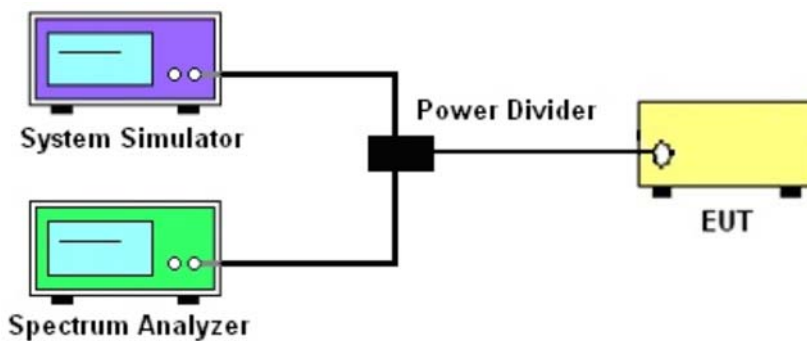
4. PEAK-TO-AVERAGE RATIO

4.1 DESCRIPTION OF THE CONDUCTED OUTPUT POWER MEASUREMENT

4.1.1 MEASUREMENT METHOD

Use one of the procedures presented in 4.1.3 to measure the total peak power and record as PPK. Use one of the applicable procedures presented 4.1.3 to measure the total average power and record as PAVg. Both the peak and average power levels must be expressed in the same logarithmic units (e.g., dBm). Determine the PAPR from:
 $PAPR (dB) = PPK (dBm) - PAVg (dBm)$.

4.1.2 TEST SETUP



4.1.3 TEST PROCEDURES

1. The testing follows FCC KDB 971168 D01 v03r01 Section 5.7 and ANSI C63.26 2015 Section 5.2.6.
2. The EUT was connected to spectrum and system simulator via a power divider
3. Select lowest, middle, and highest channels for each band and different modulation.
4. Set the test probe and measure the peak and average power of the spectrum analyzer
5. Record the deviation as Peak to Average Ratio.

	LTE					
LTE BW	1.4M	3M	5M	10M	15M	20M
Span	3MHz	6MHz	10MHz	20MHz	30MHz	40MHz
RBW	30kHz	30kHz	100kHz	100kHz	300kHz	300kHz
VBW	100kHz	100kHz	300kHz	300kHz	1000kHz	1000kHz
Detector	PK/AVG	PK/AVG	PK/AVG	PK/AVG	PK/AVG	PK/AVG
Trace	Max	Max	Max	Max	Max	Max
Sweep Count	Auto	Auto	Auto	Auto	Auto	Auto



4.1.4 TEST RESULTS

LTE Band 12 PAR [dBm]					
BW [MHz]	RB Size	Modulation	Lowest	Middle	Highest
			P-A	P-A	P-A
10	1	QPSK	3.93	3.71	3.34
10	50		5.23	5.66	5.4
Limit			≤13dB		

LTE Band 13 PAR [dBm]			
BW [MHz]	RB Size	Modulation	Middle
			P-A
10	1	QPSK	5.21
10	50		5.3
Limit			≤13dB

LTE Band 14 PAR [dBm]			
BW [MHz]	RB Size	Modulation	Middle
			P-A
10	1	QPSK	5.1
10	50		5.33
Limit			≤13dB

LTE Band 25 PAR [dBm]					
BW [MHz]	RB Size	Modulation	Lowest	Middle	Highest
			P-A	P-A	P-A
20	1	QPSK	3.72	3.91	3.82
20	100		4.78	5.11	5.04
Limit			≤13dB		

LTE Band 26(Part 22) PAR [dBm]					
BW [MHz]	RB Size	Modulation	Lowest	Middle	Highest
			P-A	P-A	P-A
15	1	QPSK	3.68	3.71	3.43
15	75		4.29	4.92	4.52
Limit			≤13dB		

LTE Band 26(Part 90) PAR [dBm]			
BW [MHz]	RB Size	Modulation	Middle
			P-A
10	1	QPSK	3.79
10	50		5.02
Limit			≤13dB



LTE Band 41PAR [dBm]					
BW [MHz]	RB Size	Modulation	Lowest	Middle	Highest
			P-A	P-A	P-A
20	1	QPSK	4.22	4.59	4.26
20	100		4.85	5.1	5.07
Limit			≤13dB		

LTE Band 66 PAR [dBm]					
BW [MHz]	RB Size	Modulation	Lowest	Middle	Highest
			P-A	P-A	P-A
20	1	QPSK	4.68	4.1	3.53
20	100		5.05	4.88	5.03
Limit			≤13dB		

LTE Band 71 PAR [dBm]					
BW [MHz]	RB Size	Modulation	Lowest	Middle	Highest
			P-A	P-A	P-A
20	1	QPSK	4.49	4.45	4.6
20	100		5.42	5.06	5.22
Limit			≤13dB		

Note: Test chart See Appendix D

5. RADIATED POWER AND EFFECTIVE ISOTROPIC RADIATED POWER

5.1 DESCRIPTION OF THE ERP/EIRP MEASUREMENT

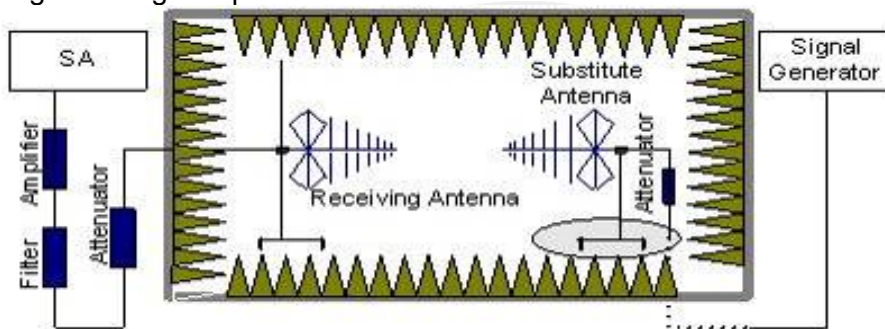
5.1.1 MEASUREMENT METHOD

Effective radiated power output measurements by substitution method according to ANSI C63.26 2015, and the spectrum analyzer configuration follows KDB 971168 D01 Power Meas. License Digital Systems. Mobile and portable (hand-held) stations operating are limited to average ERP, Equivalent isotropic radiated power output measurements by substitution method according to ANSI C63.26 2015, and the spectrum analyzer configuration follows KDB 971168 D01 Power Meas, Mobile and portable (hand-held) stations operating are limited to average EIRP.

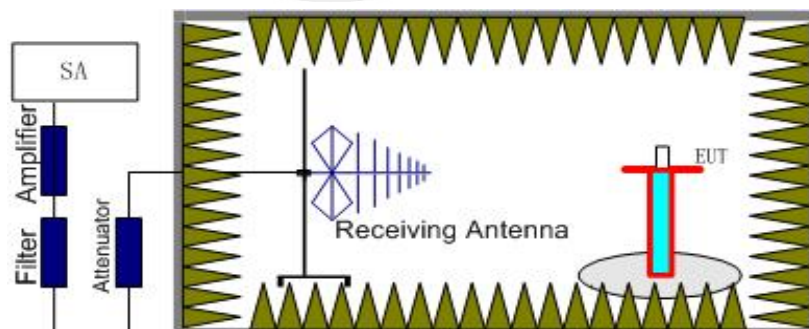
5.1.2 TEST SETUP

The procedure of radiated spurious emissions is as follows:

a) Pre-calibration With pre-calibration method, the Radiated Spurious Emissions(RSE) is calculated as, $RSE = R_x \text{ (dBuV)} + CL \text{ (dB)} + SA \text{ (dB)} + \text{Gain (dBi)} - 107 \text{ (dBuV to dBm)}$ The SA is calibrated using following setup.



b) EUT was placed on a 1.5m non-conductive stand at a 3 m test distance from the receive antenna. A receiving antenna was placed on the antenna mast 3 m from the test item for emission measurements. The height of receiving antenna is 0.8m. The test setup refers to figure below. Detected emissions were maximized at each frequency by rotating the test item and adjusting the receiving antenna polarization. The radiated emission measurements of all non-harmonic and harmonics of the transmit frequency through the 10th harmonic measured with peak detector and 1MHz bandwidth.



Radiated emissions measurements were made only at the upper, middle, and lower carrier frequencies. It was decided that measurements at these three carrier frequencies would be sufficient to demonstrate compliance with emissions limits because it was seen that all the significant spurs occur well outside the band and no radiation was seen from a carrier in one block of any band into any of the other blocks.

The substitution method is used. Substitution values at each frequency are measured before and saved to the test software. A "reference path loss" is established and the ARpl is the attenuation of "reference path loss", and including the gain of receive antenna, the gain of the preamplifier, the cable loss and the air loss. The measurement results are obtained as described below:

$$\text{Power} = \text{PMea} + \text{ARpl}$$



5.1.3 TEST PROCEDURES

1. The testing follows FCC KDB 971168 D01v03r01 Section 5.6 and ANSI C63.26 2015 Section 5.2.
2. The EUT was placed on a non-conductive rotating platform 1.5 meters high in a semi-anechoic chamber. The radiated emission at the fundamental frequency was measured at 3 m with a test antenna and a spectrum analyzer with Peak detector.
3. During the measurement, the system simulator parameters were set to force the EUT transmitting at maximum output power. The maximum emission was recorded from analyzer power level (LVL) from the 360 degrees rotation of the turntable and the test antenna raised and lowered over a range from 1 to 4 m in both horizontally and vertically polarized orientations.
4. Effective Isotropic Radiated Power (EIRP) was measured by substitution method according to ANSI C63.26 2015. The EUT was replaced by dipole antenna (substitution antenna) at same location and then a known power from S.G. was applied into the dipole antenna through a Tx cable, and then recorded the maximum Analyzer reading through raised and lowered the test antenna. The correction factor (in dB) = S.G. - Tx Cable loss + Substitution antenna gain - Analyzer reading. Then the EUT's EIRP was calculated with the correction factor, $EIRP/ERP = LVL + \text{Correction factor}$.
5. RB Set greater than bandwidth, VB Set spectrum analyzer Maximum support.





5.1.4 TEST RESULTS

Note: Test is divided into three directions, X/Y/Z. X pattern for the worst.

Radiated Power (ERP) for LTE Band 12 / 1.4M										
Modulation	RB		Channel	Result					Polarization Of Max. ERP	Conclusion
	Size	Offset		S G.Level (dBm)	Cable loss	Gain (dBi)	correction factor(dB)	PMeas E.R.P(dBm)		
QPSK	1	0	Lowest	18.6	1.21	6.40	2.15	21.64	Horizontal	Pass
	1	0	Middle	18.73	1.22	6.40	2.15	21.76	Horizontal	Pass
	1	0	Highest	18.66	1.23	6.40	2.15	21.68	Horizontal	Pass
	1	0	Lowest	19.97	1.21	6.40	2.15	23.01	Vertical	Pass
	1	0	Middle	20.07	1.22	6.40	2.15	23.10	Vertical	Pass
	1	0	Highest	20.05	1.23	6.40	2.15	23.07	Vertical	Pass
16QAM	1	0	Lowest	18.48	1.21	6.40	2.15	21.52	Horizontal	Pass
	1	0	Middle	18.54	1.22	6.40	2.15	21.57	Horizontal	Pass
	1	0	Highest	18.41	1.23	6.40	2.15	21.43	Horizontal	Pass
	1	0	Lowest	19.81	1.21	6.40	2.15	22.85	Vertical	Pass
	1	0	Middle	19.84	1.22	6.40	2.15	22.87	Vertical	Pass
	1	0	Highest	19.74	1.23	6.40	2.15	22.76	Vertical	Pass
Limit	ERP<3W=34.77dBm									

Radiated Power (ERP) for LTE Band 12 / 3M										
Modulation	RB		Channel	Result					Polarization Of Max. ERP	Conclusion
	Size	Offset		S G.Level (dBm)	Cable loss	Gain (dBi)	correction factor(dB)	PMeas E.R.P(dBm)		
QPSK	1	0	Lowest	18.82	1.21	6.40	2.15	21.86	Horizontal	Pass
	1	0	Middle	18.75	1.22	6.40	2.15	21.78	Horizontal	Pass
	1	0	Highest	18.83	1.23	6.40	2.15	21.85	Horizontal	Pass
	1	0	Lowest	20.21	1.21	6.40	2.15	23.25	Vertical	Pass
	1	0	Middle	20.15	1.22	6.40	2.15	23.18	Vertical	Pass
	1	0	Highest	20.25	1.23	6.40	2.15	23.27	Vertical	Pass
16QAM	1	0	Lowest	18.52	1.21	6.40	2.15	21.56	Horizontal	Pass
	1	0	Middle	18.56	1.22	6.40	2.15	21.59	Horizontal	Pass
	1	0	Highest	18.79	1.23	6.40	2.15	21.81	Horizontal	Pass
	1	0	Lowest	19.92	1.21	6.40	2.15	22.96	Vertical	Pass
	1	0	Middle	19.95	1.22	6.40	2.15	22.98	Vertical	Pass
	1	0	Highest	20.12	1.23	6.40	2.15	23.14	Vertical	Pass
Limit	ERP<3W=34.77dBm									



Radiated Power (ERP) for LTE Band 12 / 5M										
Modulation	RB		Channel	Result					Polarization Of Max. ERP	Conclusion
	Size	Offset		S G.Level (dBm)	Cable loss	Gain (dBi)	correction factor(dB)	PMeas E.R.P(dBm)		
QPSK	1	0	Lowest	18.92	1.21	6.40	2.15	21.96	Horizontal	Pass
	1	0	Middle	19.07	1.22	6.40	2.15	22.10	Horizontal	Pass
	1	0	Highest	19.19	1.23	6.40	2.15	22.21	Horizontal	Pass
	1	0	Lowest	20.42	1.21	6.40	2.15	23.46	Vertical	Pass
	1	0	Middle	20.5	1.22	6.40	2.15	23.53	Vertical	Pass
	1	0	Highest	20.56	1.23	6.40	2.15	23.58	Vertical	Pass
16QAM	1	0	Lowest	18.84	1.21	6.40	2.15	21.88	Horizontal	Pass
	1	0	Middle	18.74	1.22	6.40	2.15	21.77	Horizontal	Pass
	1	0	Highest	19.04	1.23	6.40	2.15	22.06	Horizontal	Pass
	1	0	Lowest	20.29	1.21	6.40	2.15	23.33	Vertical	Pass
	1	0	Middle	20.2	1.22	6.40	2.15	23.23	Vertical	Pass
	1	0	Highest	20.38	1.23	6.40	2.15	23.40	Vertical	Pass
Limit	ERP<3W=34.77dBm									

Radiated Power (ERP) for LTE Band 12 / 10M										
Modulation	RB		Channel	Result					Polarization Of Max. ERP	Conclusion
	Size	Offset		S G.Level (dBm)	Cable loss	Gain (dBi)	correction factor(dB)	PMeas E.R.P(dBm)		
QPSK	1	0	Lowest	19.63	1.21	6.40	2.15	22.67	Horizontal	Pass
	1	0	Middle	19.73	1.22	6.40	2.15	22.76	Horizontal	Pass
	1	0	Highest	19.42	1.23	6.40	2.15	22.44	Horizontal	Pass
	1	0	Lowest	21.05	1.21	6.40	2.15	24.09	Vertical	Pass
	1	0	Middle	21.1	1.22	6.40	2.15	24.13	Vertical	Pass
	1	0	Highest	20.92	1.23	6.40	2.15	23.94	Vertical	Pass
Limit	ERP<3W=34.77dBm									



Radiated Power (ERP) for LTE Band 13 / 5M										
Modulation	RB		Channel	Result						Conclusion
	Size	Offset		S G.Level (dBm)	Cable loss	Gain (dBi)	correction factor(dB)	PMeas E.R.P(dBm)	Polarization Of Max. ERP	
QPSK	1	0	Lowest	17.32	1.21	6.40	2.15	20.36	Horizontal	Pass
	1	0	Middle	17.37	1.22	6.40	2.15	20.40	Horizontal	Pass
	1	0	Highest	17.29	1.23	6.40	2.15	20.31	Horizontal	Pass
	1	0	Lowest	18.77	1.21	6.40	2.15	21.81	Vertical	Pass
	1	0	Middle	18.75	1.22	6.40	2.15	21.78	Vertical	Pass
	1	0	Highest	18.72	1.23	6.40	2.15	21.74	Vertical	Pass
16QAM	1	0	Lowest	17.1	1.21	6.40	2.15	20.14	Horizontal	Pass
	1	0	Middle	17.09	1.22	6.40	2.15	20.12	Horizontal	Pass
	1	0	Highest	17.19	1.23	6.40	2.15	20.21	Horizontal	Pass
	1	0	Lowest	18.59	1.21	6.40	2.15	21.63	Vertical	Pass
	1	0	Middle	18.52	1.22	6.40	2.15	21.55	Vertical	Pass
	1	0	Highest	18.55	1.23	6.40	2.15	21.57	Vertical	Pass
Limit	ERP<3W=34.77dBm									

Radiated Power (ERP) for LTE Band 13 / 10M										
Modulation	RB		Channel	Result						Conclusion
	Size	Offset		S G.Level (dBm)	Cable loss	Gain (dBi)	correction factor(dB)	PMeas E.R.P(dBm)	Polarization Of Max. ERP	
QPSK	1	0	Middle	17.42	1.22	6.40	2.15	20.45	Horizontal	Pass
	1	0	Middle	18.73	1.22	6.40	2.15	21.76	Vertical	Pass
Limit	ERP<3W=34.77dBm									



Radiated Power (ERP) for LTE Band 14 / 5M										
Modulation	RB		Channel	Result						Conclusion
	Size	Offset		S G.Level (dBm)	Cable loss	Gain (dBi)	correction factor(dB)	PMeas E.R.P(dBm)	Polarization Of Max. ERP	
QPSK	1	0	Lowest	15.33	1.21	6.40	2.15	18.37	Horizontal	Pass
	1	0	Middle	15.33	1.22	6.40	2.15	18.36	Horizontal	Pass
	1	0	Highest	15.44	1.23	6.40	2.15	18.46	Horizontal	Pass
	1	0	Lowest	16.7	1.21	6.40	2.15	19.74	Vertical	Pass
	1	0	Middle	16.77	1.22	6.40	2.15	19.80	Vertical	Pass
	1	0	Highest	16.74	1.23	6.40	2.15	19.76	Vertical	Pass
16QAM	1	0	Lowest	15.15	1.21	6.40	2.15	18.19	Horizontal	Pass
	1	0	Middle	15.2	1.22	6.40	2.15	18.23	Horizontal	Pass
	1	0	Highest	15.17	1.23	6.40	2.15	18.19	Horizontal	Pass
	1	0	Lowest	16.55	1.21	6.40	2.15	19.59	Vertical	Pass
	1	0	Middle	16.57	1.22	6.40	2.15	19.60	Vertical	Pass
	1	0	Highest	16.47	1.23	6.40	2.15	19.49	Vertical	Pass
Limit	ERP<3W=34.77dBm									

Radiated Power (ERP) for LTE Band 14 / 10M										
Modulation	RB		Channel	Result						Conclusion
	Size	Offset		S G.Level (dBm)	Cable loss	Gain (dBi)	correction factor(dB)	PMeas E.R.P(dBm)	Polarization Of Max. ERP	
QPSK	1	0	Middle	15.35	1.22	6.40	2.15	18.38	Horizontal	Pass
	1	0	Middle	16.84	1.22	6.40	2.15	19.87	Vertical	Pass
Limit	ERP<3W=34.77dBm									



Radiated Power (EIRP) for LTE Band 25 / 1.4M									
Modulation	RB		Channel	Result					Conclusion
	Size	Offset		S G.Level (dBm)	Cable loss	Gain (dBi)	PMeas E.I. R.P(dBm)	Polarization Of Max. EIRP	
QPSK	1	0	Lowest	11.8	2.37	10.40	19.83	Horizontal	Pass
	1	0	Middle	11.76	2.39	10.42	19.79	Horizontal	Pass
	1	0	Highest	11.67	2.40	10.44	19.71	Horizontal	Pass
	1	0	Lowest	13.1	2.37	10.40	21.13	Vertical	Pass
	1	0	Middle	13.1	2.39	10.42	21.13	Vertical	Pass
	1	0	Highest	13.02	2.40	10.44	21.06	Vertical	Pass
16QAM	1	0	Lowest	11.66	2.37	10.40	19.69	Horizontal	Pass
	1	0	Middle	11.43	2.39	10.42	19.46	Horizontal	Pass
	1	0	Highest	11.47	2.40	10.44	19.51	Horizontal	Pass
	1	0	Lowest	13.06	2.37	10.40	21.09	Vertical	Pass
	1	0	Middle	12.82	2.39	10.42	20.85	Vertical	Pass
	1	0	Highest	12.78	2.40	10.44	20.82	Vertical	Pass
Limit	EIRP<2W=33dBm								

Radiated Power (EIRP) for LTE Band 25 / 3M									
Modulation	RB		Channel	Result					Conclusion
	Size	Offset		S G.Level (dBm)	Cable loss	Gain (dBi)	PMeas E.I. R.P(dBm)	Polarization Of Max. EIRP	
QPSK	1	0	Lowest	11.43	2.37	10.40	19.46	Horizontal	Pass
	1	0	Middle	11.59	2.39	10.42	19.62	Horizontal	Pass
	1	0	Highest	11.45	2.40	10.44	19.49	Horizontal	Pass
	1	0	Lowest	12.9	2.37	10.40	20.93	Vertical	Pass
	1	0	Middle	12.89	2.39	10.42	20.92	Vertical	Pass
	1	0	Highest	12.78	2.40	10.44	20.82	Vertical	Pass
16QAM	1	0	Lowest	11.33	2.37	10.40	19.36	Horizontal	Pass
	1	0	Middle	11.21	2.39	10.42	19.24	Horizontal	Pass
	1	0	Highest	11.12	2.40	10.44	19.16	Horizontal	Pass
	1	0	Lowest	12.77	2.37	10.40	20.80	Vertical	Pass
	1	0	Middle	12.66	2.39	10.42	20.69	Vertical	Pass
	1	0	Highest	12.56	2.40	10.44	20.60	Vertical	Pass
Limit	EIRP<2W=33dBm								



Radiated Power (EIRP) for LTE Band 25 / 5M									
Modulation	RB		Channel	Result					Conclusion
	Size	Offset		S G.Level (dBm)	Cable loss	Gain (dBi)	PMeas E.I. R.P(dBm)	Polarization Of Max. EIRP	
QPSK	1	0	Lowest	11.74	2.37	10.40	19.77	Horizontal	Pass
	1	0	Middle	11.61	2.39	10.42	19.64	Horizontal	Pass
	1	0	Highest	11.6	2.40	10.44	19.64	Horizontal	Pass
	1	0	Lowest	13.11	2.37	10.40	21.14	Vertical	Pass
	1	0	Middle	13.02	2.39	10.42	21.05	Vertical	Pass
	1	0	Highest	13.05	2.40	10.44	21.09	Vertical	Pass
16QAM	1	0	Lowest	11.36	2.37	10.40	19.39	Horizontal	Pass
	1	0	Middle	11.25	2.39	10.42	19.28	Horizontal	Pass
	1	0	Highest	11.3	2.40	10.44	19.34	Horizontal	Pass
	1	0	Lowest	12.76	2.37	10.40	20.79	Vertical	Pass
	1	0	Middle	12.72	2.39	10.42	20.75	Vertical	Pass
	1	0	Highest	12.73	2.40	10.44	20.77	Vertical	Pass
Limit	EIRP<2W=33dBm								

Radiated Power (EIRP) for LTE Band 25 / 10M									
Modulation	RB		Channel	Result					Conclusion
	Size	Offset		S G.Level (dBm)	Cable loss	Gain (dBi)	PMeas E.I. R.P(dBm)	Polarization Of Max. EIRP	
QPSK	1	0	Lowest	11.95	2.37	10.40	19.98	Horizontal	Pass
	1	0	Middle	11.88	2.39	10.42	19.91	Horizontal	Pass
	1	0	Highest	11.7	2.40	10.44	19.74	Horizontal	Pass
	1	0	Lowest	13.27	2.37	10.40	21.30	Vertical	Pass
	1	0	Middle	13.29	2.39	10.42	21.32	Vertical	Pass
	1	0	Highest	13.17	2.40	10.44	21.21	Vertical	Pass
Limit	EIRP<2W=33dBm								



Radiated Power (EIRP) for LTE Band 25 / 15M									
Modulation	RB		Channel	Result					Conclusion
	Size	Offset		S G.Level (dBm)	Cable loss	Gain (dBi)	PMeas E.I. R.P(dBm)	Polarization Of Max. EIRP	
QPSK	1	0	Lowest	11.96	2.37	10.40	19.99	Horizontal	Pass
	1	0	Middle	12.08	2.39	10.42	20.11	Horizontal	Pass
	1	0	Highest	11.97	2.40	10.44	20.01	Horizontal	Pass
	1	0	Lowest	13.33	2.37	10.40	21.36	Vertical	Pass
	1	0	Middle	13.39	2.39	10.42	21.42	Vertical	Pass
	1	0	Highest	13.42	2.40	10.44	21.46	Vertical	Pass
16QAM	1	0	Lowest	11.81	2.37	10.40	19.84	Horizontal	Pass
	1	0	Middle	11.74	2.39	10.42	19.77	Horizontal	Pass
	1	0	Highest	11.83	2.40	10.44	19.87	Horizontal	Pass
	1	0	Lowest	13.2	2.37	10.40	21.23	Vertical	Pass
	1	0	Middle	13.17	2.39	10.42	21.20	Vertical	Pass
	1	0	Highest	13.13	2.40	10.44	21.17	Vertical	Pass
Limit	EIRP<2W=33dBm								

Radiated Power (EIRP) for LTE Band 25 / 20M									
Modulation	RB		Channel	Result					Conclusion
	Size	Offset		S G.Level (dBm)	Cable loss	Gain (dBi)	PMeas E.I. R.P(dBm)	Polarization Of Max. EIRP	
QPSK	1	0	Lowest	11.87	2.37	10.40	19.90	Horizontal	Pass
	1	0	Middle	12.23	2.39	10.42	20.26	Horizontal	Pass
	1	0	Highest	12.1	2.40	10.44	20.14	Horizontal	Pass
	1	0	Lowest	13.32	2.37	10.40	21.35	Vertical	Pass
	1	0	Middle	13.55	2.39	10.42	21.58	Vertical	Pass
	1	0	Highest	13.58	2.40	10.44	21.62	Vertical	Pass
16QAM	1	0	Lowest	11.75	2.37	10.40	19.78	Horizontal	Pass
	1	0	Middle	11.78	2.39	10.42	19.81	Horizontal	Pass
	1	0	Highest	12.02	2.40	10.44	20.06	Horizontal	Pass
	1	0	Lowest	13.11	2.37	10.40	21.14	Vertical	Pass
	1	0	Middle	13.15	2.39	10.42	21.18	Vertical	Pass
	1	0	Highest	13.33	2.40	10.44	21.37	Vertical	Pass
Limit	EIRP<2W=33dBm								



Radiated Power (ERP) for LTE Band 26(Part 22) / 1.4M										
Modulation	RB		Channel	Result					Polarization Of Max. ERP	Conclusion
	Size	Offset		S G.Level (dBm)	Cable loss	Gain (dBi)	correction factor(dB)	PMeas E.R.P(dBm)		
QPSK	1	0	Lowest	16.17	2.35	10.13	2.15	21.80	Horizontal	Pass
	1	0	Middle	15.92	2.36	10.16	2.15	21.57	Horizontal	Pass
	1	0	Highest	15.95	2.37	10.22	2.15	21.65	Horizontal	Pass
	1	0	Lowest	17.49	2.35	10.13	2.15	23.12	Vertical	Pass
	1	0	Middle	17.38	2.36	10.16	2.15	23.03	Vertical	Pass
	1	0	Highest	17.36	2.37	10.22	2.15	23.06	Vertical	Pass
16QAM	1	0	Lowest	15.89	2.35	10.13	2.15	21.52	Horizontal	Pass
	1	0	Middle	15.5	2.36	10.16	2.15	21.15	Horizontal	Pass
	1	0	Highest	15.52	2.37	10.22	2.15	21.22	Horizontal	Pass
	1	0	Lowest	17.21	2.35	10.13	2.15	22.84	Vertical	Pass
	1	0	Middle	16.97	2.36	10.16	2.15	22.62	Vertical	Pass
	1	0	Highest	17.02	2.37	10.22	2.15	22.72	Vertical	Pass
Limit	ERP<7W=38.45dBm									

Radiated Power (ERP) for LTE Band 26(Part 22) / 3M										
Modulation	RB		Channel	Result					Polarization Of Max. ERP	Conclusion
	Size	Offset		S G.Level (dBm)	Cable loss	Gain (dBi)	correction factor(dB)	PMeas E.R.P(dBm)		
QPSK	1	0	Lowest	16.06	2.35	10.13	2.15	21.69	Horizontal	Pass
	1	0	Middle	16.11	2.36	10.16	2.15	21.76	Horizontal	Pass
	1	0	Highest	15.96	2.37	10.22	2.15	21.66	Horizontal	Pass
	1	0	Lowest	17.39	2.35	10.13	2.15	23.02	Vertical	Pass
	1	0	Middle	17.6	2.36	10.16	2.15	23.25	Vertical	Pass
	1	0	Highest	17.45	2.37	10.22	2.15	23.15	Vertical	Pass
16QAM	1	0	Lowest	15.79	2.35	10.13	2.15	21.42	Horizontal	Pass
	1	0	Middle	16.08	2.36	10.16	2.15	21.73	Horizontal	Pass
	1	0	Highest	15.86	2.37	10.22	2.15	21.56	Horizontal	Pass
	1	0	Lowest	17.25	2.35	10.13	2.15	22.88	Vertical	Pass
	1	0	Middle	17.4	2.36	10.16	2.15	23.05	Vertical	Pass
	1	0	Highest	17.17	2.37	10.22	2.15	22.87	Vertical	Pass
Limit	ERP<7W=38.45dBm									



Radiated Power (ERP) for LTE Band 26(Part 22) / 5M										
Modulation	RB		Channel	Result						Conclusion
	Size	Offset		S G.Level (dBm)	Cable loss	Gain (dBi)	correction factor(dB)	PMeas E.R.P(dBm)	Polarization Of Max. ERP	
QPSK	1	0	Lowest	16.16	2.35	10.13	2.15	21.79	Horizontal	Pass
	1	0	Middle	15.92	2.36	10.16	2.15	21.57	Horizontal	Pass
	1	0	Highest	16.13	2.37	10.22	2.15	21.83	Horizontal	Pass
	1	0	Lowest	17.62	2.35	10.13	2.15	23.25	Vertical	Pass
	1	0	Middle	17.39	2.36	10.16	2.15	23.04	Vertical	Pass
	1	0	Highest	17.56	2.37	10.22	2.15	23.26	Vertical	Pass
16QAM	1	0	Lowest	15.93	2.35	10.13	2.15	21.56	Horizontal	Pass
	1	0	Middle	15.77	2.36	10.16	2.15	21.42	Horizontal	Pass
	1	0	Highest	15.86	2.37	10.22	2.15	21.56	Horizontal	Pass
	1	0	Lowest	17.37	2.35	10.13	2.15	23.00	Vertical	Pass
	1	0	Middle	17.13	2.36	10.16	2.15	22.78	Vertical	Pass
	1	0	Highest	17.31	2.37	10.22	2.15	23.01	Vertical	Pass
Limit	ERP<7W=38.45dBm									

Radiated Power (ERP) for LTE Band 26(Part 22) / 10M										
Modulation	RB		Channel	Result						Conclusion
	Size	Offset		S G.Level (dBm)	Cable loss	Gain (dBi)	correction factor(dB)	PMeas E.R.P(dBm)	Polarization Of Max. ERP	
QPSK	1	0	Lowest	16.32	2.35	10.13	2.15	21.95	Horizontal	Pass
	1	0	Middle	16.47	2.36	10.16	2.15	22.12	Horizontal	Pass
	1	0	Highest	16.32	2.37	10.22	2.15	22.02	Horizontal	Pass
	1	0	Lowest	17.81	2.35	10.13	2.15	23.44	Vertical	Pass
	1	0	Middle	17.89	2.36	10.16	2.15	23.54	Vertical	Pass
	1	0	Highest	17.7	2.37	10.22	2.15	23.40	Vertical	Pass
Limit	ERP<7W=38.45dBm									



Radiated Power (ERP) for LTE Band 26(Part 22) / 15M										
Modulation	RB		Channel	Result						Conclusion
	Size	Offset		S G.Level (dBm)	Cable loss	Gain (dBi)	correction factor(dB)	PMeas E.R.P(dBm)	Polarization	
									Of Max. ERP	
QPSK	1	0	Lowest	16.57	2.35	10.13	2.15	22.20	Horizontal	Pass
	1	0	Middle	16.77	2.36	10.16	2.15	22.42	Horizontal	Pass
	1	0	Highest	16.4	2.37	10.22	2.15	22.10	Horizontal	Pass
	1	0	Lowest	18.06	2.35	10.13	2.15	23.69	Vertical	Pass
	1	0	Middle	18.07	2.36	10.16	2.15	23.72	Vertical	Pass
	1	0	Highest	17.83	2.37	10.22	2.15	23.53	Vertical	Pass
Limit	ERP<7W=38.45dBm									





Radiated Power (ERP) for LTE Band 26(Part 90) / 1.4M										
Modulation	RB		Channel	Result					Polarization Of Max. ERP	Conclusion
	Size	Offset		S G.Level (dBm)	Cable loss	Gain (dBi)	correction factor(dB)	PMeas E.R.P(dBm)		
QPSK	1	0	Lowest	15.9	2.35	10.13	2.15	21.53	Horizontal	Pass
	1	0	Middle	15.67	2.36	10.16	2.15	21.32	Horizontal	Pass
	1	0	Highest	15.77	2.37	10.22	2.15	21.47	Horizontal	Pass
	1	0	Lowest	17.3	2.35	10.13	2.15	22.93	Vertical	Pass
	1	0	Middle	17.13	2.36	10.16	2.15	22.78	Vertical	Pass
	1	0	Highest	17.14	2.37	10.22	2.15	22.84	Vertical	Pass
16QAM	1	0	Lowest	15.57	2.35	10.13	2.15	21.20	Horizontal	Pass
	1	0	Middle	15.65	2.36	10.16	2.15	21.30	Horizontal	Pass
	1	0	Highest	15.62	2.37	10.22	2.15	21.32	Horizontal	Pass
	1	0	Lowest	17.01	2.35	10.13	2.15	22.64	Vertical	Pass
	1	0	Middle	16.97	2.36	10.16	2.15	22.62	Vertical	Pass
	1	0	Highest	16.96	2.37	10.22	2.15	22.66	Vertical	Pass
Limit	ERP<100W=50dBm									

Radiated Power (ERP) for LTE Band 26(Part 90) / 3M										
Modulation	RB		Channel	Result					Polarization Of Max. ERP	Conclusion
	Size	Offset		S G.Level (dBm)	Cable loss	Gain (dBi)	correction factor(dB)	PMeas E.R.P(dBm)		
QPSK	1	0	Lowest	15.83	2.35	10.13	2.15	21.46	Horizontal	Pass
	1	0	Middle	15.71	2.36	10.16	2.15	21.36	Horizontal	Pass
	1	0	Highest	15.79	2.37	10.22	2.15	21.49	Horizontal	Pass
	1	0	Lowest	17.21	2.35	10.13	2.15	22.84	Vertical	Pass
	1	0	Middle	17.18	2.36	10.16	2.15	22.83	Vertical	Pass
	1	0	Highest	17.14	2.37	10.22	2.15	22.84	Vertical	Pass
16QAM	1	0	Lowest	15.43	2.35	10.13	2.15	21.06	Horizontal	Pass
	1	0	Middle	15.62	2.36	10.16	2.15	21.27	Horizontal	Pass
	1	0	Highest	15.63	2.37	10.22	2.15	21.33	Horizontal	Pass
	1	0	Lowest	16.82	2.35	10.13	2.15	22.45	Vertical	Pass
	1	0	Middle	16.92	2.36	10.16	2.15	22.57	Vertical	Pass
	1	0	Highest	16.97	2.37	10.22	2.15	22.67	Vertical	Pass
Limit	ERP<100W=50dBm									



Radiated Power (ERP) for LTE Band 26(Part 90) / 5M										
Modulation	RB		Channel	Result					Polarization Of Max. ERP	Conclusion
	Size	Offset		S G.Level (dBm)	Cable loss	Gain (dBi)	correction factor(dB)	PMeas E.R.P(dBm)		
QPSK	1	0	Lowest	16	2.35	10.13	2.15	21.63	Horizontal	Pass
	1	0	Middle	16.04	2.36	10.16	2.15	21.69	Horizontal	Pass
	1	0	Highest	15.87	2.37	10.22	2.15	21.57	Horizontal	Pass
	1	0	Lowest	17.37	2.35	10.13	2.15	23.00	Vertical	Pass
	1	0	Middle	17.37	2.36	10.16	2.15	23.02	Vertical	Pass
	1	0	Highest	17.31	2.37	10.22	2.15	23.01	Vertical	Pass
16QAM	1	0	Lowest	15.72	2.35	10.13	2.15	21.35	Horizontal	Pass
	1	0	Middle	15.7	2.36	10.16	2.15	21.35	Horizontal	Pass
	1	0	Highest	15.69	2.37	10.22	2.15	21.39	Horizontal	Pass
	1	0	Lowest	17.07	2.35	10.13	2.15	22.70	Vertical	Pass
	1	0	Middle	17.14	2.36	10.16	2.15	22.79	Vertical	Pass
	1	0	Highest	17.14	2.37	10.22	2.15	22.84	Vertical	Pass
Limit	ERP<100W=50dBm									

Radiated Power (ERP) for LTE Band 26(Part 90) / 10M										
Modulation	RB		Channel	Result					Polarization Of Max. ERP	Conclusion
	Size	Offset		S G.Level (dBm)	Cable loss	Gain (dBi)	correction factor(dB)	PMeas E.R.P(dBm)		
QPSK	1	0	Middle	16.27	2.36	10.16	2.15	21.92	Horizontal	Pass
	1	0	Middle	17.6	2.36	10.16	2.15	23.25	Vertical	Pass
Limit	ERP<100W=50dBm									



Radiated Power (EIRP) for LTE Band41 / 5M									
Modulation	RB		Channel	Result					Conclusion
	Size	Offset		S G.Level (dBm)	Cable loss	Gain (dBi)	PMeas E.I.R.P.(dBm)	Polarization Of Max. EIRP	
QPSK	1	0	Lowest	11.69	2.56	10.60	19.73	Horizontal	Pass
	1	0	Middle	11.82	2.67	10.65	19.80	Horizontal	Pass
	1	0	Highest	11.8	2.72	10.70	19.78	Horizontal	Pass
	1	0	Lowest	13.12	2.56	10.60	21.16	Vertical	Pass
	1	0	Middle	13.24	2.67	10.65	21.22	Vertical	Pass
	1	0	Highest	13.18	2.72	10.70	21.16	Vertical	Pass
16QAM	1	0	Lowest	11.5	2.56	10.60	19.54	Horizontal	Pass
	1	0	Middle	11.48	2.67	10.65	19.46	Horizontal	Pass
	1	0	Highest	11.6	2.72	10.70	19.58	Horizontal	Pass
	1	0	Lowest	12.96	2.56	10.60	21.00	Vertical	Pass
	1	0	Middle	12.86	2.67	10.65	20.84	Vertical	Pass
	1	0	Highest	13.06	2.72	10.70	21.04	Vertical	Pass
Limit	EIRP<2W=33dBm								

Radiated Power (EIRP) for LTE Band 41 / 10M									
Modulation	RB		Channel	Result					Conclusion
	Size	Offset		S G.Level (dBm)	Cable loss	Gain (dBi)	PMeas E.I.R.P.(dBm)	Polarization Of Max. EIRP	
QPSK	1	0	Lowest	11.79	2.56	10.60	19.83	Horizontal	Pass
	1	0	Middle	11.97	2.67	10.65	19.95	Horizontal	Pass
	1	0	Highest	11.94	2.72	10.70	19.92	Horizontal	Pass
	1	0	Lowest	13.21	2.56	10.60	21.25	Vertical	Pass
	1	0	Middle	13.36	2.67	10.65	21.34	Vertical	Pass
	1	0	Highest	13.42	2.72	10.70	21.40	Vertical	Pass
Limit	EIRP<2W=33dBm								

Radiated Power (EIRP) for LTE Band 41 / 15M									
Modulation	RB		Channel	Result					Conclusion
	Size	Offset		S G.Level (dBm)	Cable loss	Gain (dBi)	PMeas E.I.R.P.(dBm)	Polarization Of Max. EIRP	
QPSK	1	0	Lowest	12.2	2.56	10.60	20.24	Horizontal	Pass
	1	0	Middle	12.15	2.67	10.65	20.13	Horizontal	Pass
	1	0	Highest	11.98	2.72	10.70	19.96	Horizontal	Pass
	1	0	Lowest	13.52	2.56	10.60	21.56	Vertical	Pass
	1	0	Middle	13.45	2.67	10.65	21.43	Vertical	Pass
	1	0	Highest	13.43	2.72	10.70	21.41	Vertical	Pass
Limit	EIRP<2W=33dBm								

Radiated Power (EIRP) for LTE Band 41 / 20M									
Modulation	RB		Channel	Result					Conclusion
	Size	Offset		S G.Level (dBm)	Cable loss	Gain (dBi)	PMeas E.I.R.P.(dBm)	Polarization Of Max. EIRP	
QPSK	1	0	Lowest	12.1	2.56	10.60	20.14	Horizontal	Pass
	1	0	Middle	12.16	2.67	10.65	20.14	Horizontal	Pass
	1	0	Highest	12.19	2.72	10.70	20.17	Horizontal	Pass
	1	0	Lowest	13.6	2.56	10.60	21.64	Vertical	Pass
	1	0	Middle	13.55	2.67	10.65	21.53	Vertical	Pass
	1	0	Highest	13.63	2.72	10.70	21.61	Vertical	Pass
Limit	EIRP<2W=33dBm								



Radiated Power (EIRP) for LTE Band 66 / 1.4M									
Modulation	RB		Channel	Result					Conclusion
	Size	Offset		S G.Level (dBm)	Cable loss	Gain (dBi)	PMeas E.I.R.P.(dBm)	Polarization Of Max. EIRP	
QPSK	1	0	Lowest	12.75	2.35	10.13	20.53	Horizontal	Pass
	1	0	Middle	12.86	2.36	10.16	20.66	Horizontal	Pass
	1	0	Highest	12.79	2.37	10.22	20.64	Horizontal	Pass
	1	0	Lowest	14.16	2.35	10.13	21.94	Vertical	Pass
	1	0	Middle	14.31	2.36	10.16	22.11	Vertical	Pass
	1	0	Highest	14.18	2.37	10.22	22.03	Vertical	Pass
16QAM	1	0	Lowest	12.46	2.35	10.13	20.24	Horizontal	Pass
	1	0	Middle	12.72	2.36	10.16	20.52	Horizontal	Pass
	1	0	Highest	12.44	2.37	10.22	20.29	Horizontal	Pass
	1	0	Lowest	13.94	2.35	10.13	21.72	Vertical	Pass
	1	0	Middle	14.14	2.36	10.16	21.94	Vertical	Pass
	1	0	Highest	13.82	2.37	10.22	21.67	Vertical	Pass
Limit	EIRP<1W=30dBm								

Radiated Power (EIRP) for LTE Band 66 / 3M									
Modulation	RB		Channel	Result					Conclusion
	Size	Offset		S G.Level (dBm)	Cable loss	Gain (dBi)	PMeas E.I.R.P.(dBm)	Polarization Of Max. EIRP	
QPSK	1	0	Lowest	12.84	2.35	10.13	20.62	Horizontal	Pass
	1	0	Middle	12.94	2.36	10.16	20.74	Horizontal	Pass
	1	0	Highest	12.69	2.37	10.22	20.54	Horizontal	Pass
	1	0	Lowest	14.23	2.35	10.13	22.01	Vertical	Pass
	1	0	Middle	14.25	2.36	10.16	22.05	Vertical	Pass
	1	0	Highest	14.13	2.37	10.22	21.98	Vertical	Pass
16QAM	1	0	Lowest	12.51	2.35	10.13	20.29	Horizontal	Pass
	1	0	Middle	12.53	2.36	10.16	20.33	Horizontal	Pass
	1	0	Highest	12.52	2.37	10.22	20.37	Horizontal	Pass
	1	0	Lowest	13.91	2.35	10.13	21.69	Vertical	Pass
	1	0	Middle	13.89	2.36	10.16	21.69	Vertical	Pass
	1	0	Highest	13.99	2.37	10.22	21.84	Vertical	Pass
Limit	EIRP<1W=30dBm								



Radiated Power (EIRP) for LTE Band 66 / 5M									
Modulation	RB		Channel	Result					Conclusion
	Size	Offset		S G.Level (dBm)	Cable loss	Gain (dBi)	PMeas E.I.R.P.(dBm)	Polarization Of Max. EIRP	
QPSK	1	0	Lowest	12.72	2.35	10.13	20.50	Horizontal	Pass
	1	0	Middle	12.56	2.36	10.16	20.36	Horizontal	Pass
	1	0	Highest	12.59	2.37	10.22	20.44	Horizontal	Pass
	1	0	Lowest	14.1	2.35	10.13	21.88	Vertical	Pass
	1	0	Middle	14.03	2.36	10.16	21.83	Vertical	Pass
	1	0	Highest	13.98	2.37	10.22	21.83	Vertical	Pass
16QAM	1	0	Lowest	12.47	2.35	10.13	20.25	Horizontal	Pass
	1	0	Middle	12.48	2.36	10.16	20.28	Horizontal	Pass
	1	0	Highest	12.29	2.37	10.22	20.14	Horizontal	Pass
	1	0	Lowest	13.84	2.35	10.13	21.62	Vertical	Pass
	1	0	Middle	13.91	2.36	10.16	21.71	Vertical	Pass
	1	0	Highest	13.76	2.37	10.22	21.61	Vertical	Pass
Limit	EIRP<1W=30dBm								

Radiated Power (EIRP) for LTE Band 66 / 10M									
Modulation	RB		Channel	Result					Conclusion
	Size	Offset		S G.Level (dBm)	Cable loss	Gain (dBi)	PMeas E.I.R.P.(dBm)	Polarization Of Max. EIRP	
QPSK	1	0	Lowest	12.63	2.35	10.13	20.41	Horizontal	Pass
	1	0	Middle	12.64	2.36	10.16	20.44	Horizontal	Pass
	1	0	Highest	12.69	2.37	10.22	20.54	Horizontal	Pass
	1	0	Lowest	14.08	2.35	10.13	21.86	Vertical	Pass
	1	0	Middle	14.14	2.36	10.16	21.94	Vertical	Pass
	1	0	Highest	14.18	2.37	10.22	22.03	Vertical	Pass
Limit	EIRP<1W=30dBm								

Radiated Power (EIRP) for LTE Band 66 / 15M									
Modulation	RB		Channel	Result					Conclusion
	Size	Offset		S G.Level (dBm)	Cable loss	Gain (dBi)	PMeas E.I.R.P.(dBm)	Polarization Of Max. EIRP	
QPSK	1	0	Lowest	12.85	2.35	10.13	20.63	Horizontal	Pass
	1	0	Middle	13.07	2.36	10.16	20.87	Horizontal	Pass
	1	0	Highest	12.86	2.37	10.22	20.71	Horizontal	Pass
	1	0	Lowest	14.22	2.35	10.13	22.00	Vertical	Pass
	1	0	Middle	14.39	2.36	10.16	22.19	Vertical	Pass
	1	0	Highest	14.28	2.37	10.22	22.13	Vertical	Pass
Limit	EIRP<1W=30dBm								

Radiated Power (EIRP) for LTE Band 66 / 20M									
Modulation	RB		Channel	Result					Conclusion
	Size	Offset		S G.Level (dBm)	Cable loss	Gain (dBi)	PMeas E.I.R.P.(dBm)	Polarization Of Max. EIRP	
QPSK	1	0	Lowest	13.03	2.35	10.13	20.81	Horizontal	Pass
	1	0	Middle	12.86	2.36	10.16	20.66	Horizontal	Pass
	1	0	Highest	13.09	2.37	10.22	20.94	Horizontal	Pass
	1	0	Lowest	14.39	2.35	10.13	22.17	Vertical	Pass
	1	0	Middle	14.29	2.36	10.16	22.09	Vertical	Pass
	1	0	Highest	14.42	2.37	10.22	22.27	Vertical	Pass
Limit	EIRP<1W=30dBm								



Radiated Power (ERP) for LTE Band 71 / 5M										
Modulation	RB		Channel	Result						Conclusion
	Size	Offset		S G.Level (dBm)	Cable loss	Gain (dBi)	correction factor(dB)	PMeas E.R.P(dBm)	Polarization Of Max. ERP	
QPSK	1	0	Lowest	16.06	1.21	6.40	2.15	19.10	Horizontal	Pass
	1	0	Middle	15.95	1.22	6.40	2.15	18.98	Horizontal	Pass
	1	0	Highest	16.1	1.23	6.40	2.15	19.12	Horizontal	Pass
	1	0	Lowest	17.53	1.21	6.40	2.15	20.57	Vertical	Pass
	1	0	Middle	17.44	1.22	6.40	2.15	20.47	Vertical	Pass
	1	0	Highest	17.54	1.23	6.40	2.15	20.56	Vertical	Pass
16QAM	1	0	Lowest	15.88	1.21	6.40	2.15	18.92	Horizontal	Pass
	1	0	Middle	15.94	1.22	6.40	2.15	18.97	Horizontal	Pass
	1	0	Highest	16.02	1.23	6.40	2.15	19.04	Horizontal	Pass
	1	0	Lowest	17.24	1.21	6.40	2.15	20.28	Vertical	Pass
	1	0	Middle	17.35	1.22	6.40	2.15	20.38	Vertical	Pass
	1	0	Highest	17.45	1.23	6.40	2.15	20.47	Vertical	Pass
Limit	ERP<3W=34.77dBm									

Radiated Power (ERP) for LTE Band 71 / 10M										
Modulation	RB		Channel	Result						Conclusion
	Size	Offset		S G.Level (dBm)	Cable loss	Gain (dBi)	correction factor(dB)	PMeas E.R.P(dBm)	Polarization Of Max. ERP	
QPSK	1	0	Lowest	16.15	1.21	6.40	2.15	19.19	Horizontal	Pass
	1	0	Middle	16.15	1.22	6.40	2.15	19.18	Horizontal	Pass
	1	0	Highest	16.19	1.23	6.40	2.15	19.21	Horizontal	Pass
	1	0	Lowest	17.57	1.21	6.40	2.15	20.61	Vertical	Pass
	1	0	Middle	17.54	1.22	6.40	2.15	20.57	Vertical	Pass
	1	0	Highest	17.6	1.23	6.40	2.15	20.62	Vertical	Pass
Limit	ERP<3W=34.77dBm									

Radiated Power (ERP) for LTE Band 71 / 15M										
Modulation	RB		Channel	Result						Conclusion
	Size	Offset		S G.Level (dBm)	Cable loss	Gain (dBi)	correction factor(dB)	PMeas E.R.P(dBm)	Polarization Of Max. ERP	
QPSK	1	0	Lowest	16.11	1.21	6.40	2.15	19.15	Horizontal	Pass
	1	0	Middle	16.29	1.22	6.40	2.15	19.32	Horizontal	Pass
	1	0	Highest	16.12	1.23	6.40	2.15	19.14	Horizontal	Pass
	1	0	Lowest	17.59	1.21	6.40	2.15	20.63	Vertical	Pass
	1	0	Middle	17.6	1.22	6.40	2.15	20.63	Vertical	Pass
	1	0	Highest	17.56	1.23	6.40	2.15	20.58	Vertical	Pass
Limit	ERP<3W=34.77dBm									



Radiated Power (ERP) for LTE Band 71 / 20M										
Modulation	RB		Channel	Result						Conclusion
	Size	Offset		S G.Level (dBm)	Cable loss	Gain (dBi)	correction factor(dB)	PMeas E.R.P(dBm)	Polarization Of Max. ERP	
QPSK	1	0	Lowest	16.37	1.21	6.40	2.15	19.41	Horizontal	Pass
	1	0	Middle	16.3	1.22	6.40	2.15	19.33	Horizontal	Pass
	1	0	Highest	16.29	1.23	6.40	2.15	19.31	Horizontal	Pass
	1	0	Lowest	17.72	1.21	6.40	2.15	20.76	Vertical	Pass
	1	0	Middle	17.68	1.22	6.40	2.15	20.71	Vertical	Pass
	1	0	Highest	17.63	1.23	6.40	2.15	20.65	Vertical	Pass
Limit	ERP<3W=34.77dBm									



6. OCCUPIED BANDWIDTH

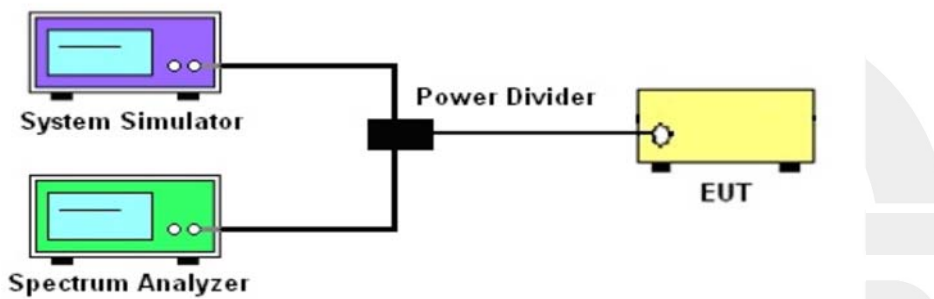
6.1 DESCRIPTION OF OCCUPIED BANDWIDTH MEASUREMENT

6.1.1 MEASUREMENT METHOD

1.The occupied bandwidth is the width of a frequency band such that, below the lower and above the upper frequency limits, the mean powers emitted are each equal to a specified percentage 0.5% of the total mean transmitted power.

2.The 26 db emission bandwidth is defined as the frequency range between two points, one above and one below the carrier frequency, at which the spectral density of the emission is attenuated 26 db below the maximum in-band spectral density of the modulated signal. spectral density (power per unit bandwidth) is to be measured with a detector of resolution bandwidth equal to approximately 1.0% of the emission bandwidth.

6.1.2 TEST SETUP



6.1.3 TEST PROCEDURES

1. The testing follows FCC KDB 971168 D01 v03r01 Section 4.2 and 4.3.
2. The EUT was connected to spectrum and system simulator via a power divider.
3. Select lowest, middle, and highest channels for each band and different modulation.
4. Set the test probe and measure the Occupied Bandwidth of the spectrum analyzer.
5. Measure and record the Occupied Bandwidth from the Spectrum Analyzer.

	LTE					
LTE BW	1.4M	3M	5M	10M	15M	20M
Span	3MHz	6MHz	10MHz	20MHz	30MHz	40MHz
RBW	30kHz	30kHz	100kHz	100kHz	300kHz	300kHz
VBW	100kHz	100kHz	300kHz	300kHz	1000kHz	1000kHz
Detector	PK	PK	PK	PK	PK	PK
Trace	Max	Max	Max	Max	Max	Max
Sweep Count	Auto	Auto	Auto	Auto	Auto	Auto



6.1.4 MEASUREMENT RESULT

LTE Band 12 Bandwidth [MHz]							
BW [MHz]	Mode	Lowest		Middle		Highest	
		99% BW	26dB BW	99% BW	26dB BW	99% BW	26dB BW
1.4	QPSK	1.1011	1.307	1.106	1.284	1.0952	1.302
1.4	16-QAM	1.102	1.305	1.091	1.267	1.0967	1.291
3	QPSK	2.684	2.912	2.692	2.93	2.682	2.92
3	16-QAM	2.681	2.905	2.684	2.944	2.6791	2.926
5	QPSK	4.494	4.978	4.51	5.004	4.507	4.989
5	16-QAM	4.493	4.999	4.534	5.031	4.508	5.007
10	QPSK	8.889	9.625	8.953	9.75	8.931	9.716
LTE Band 13 Bandwidth [MHz]							
BW [MHz]	Mode	Lowest		Middle		Highest	
		99% BW	26dB BW	99% BW	26dB BW	99% BW	26dB BW
5	QPSK	4.5103	4.996	4.477	4.953	4.5339	5.031
5	16-QAM	4.51	4.997	4.503	4.992	4.5244	5.038
10	QPSK	N/A	N/A	8.9	9.682	N/A	N/A
LTE Band 14 Bandwidth [MHz]							
BW [MHz]	Mode	Lowest		Middle		Highest	
		99% BW	26dB BW	99% BW	26dB BW	99% BW	26dB BW
5	QPSK	4.497	4.985	4.493	5.004	4.525	5.01
5	16-QAM	4.496	5.015	4.525	5.015	4.524	5.028
10	QPSK	N/A	N/A	8.925	9.769	N/A	N/A
LTE Band 25 Bandwidth [MHz]							
BW [MHz]	Mode	Lowest		Middle		Highest	
		99% BW	26dB BW	99% BW	26dB BW	99% BW	26dB BW
1.4	QPSK	1.0948	1.32	1.105	1.286	1.098	1.331
1.4	16-QAM	1.094	1.292	1.098	1.298	1.1	1.314
3	QPSK	2.69	2.922	2.684	2.938	2.682	2.915
3	16-QAM	2.683	2.934	2.683	2.947	2.678	2.919
5	QPSK	4.508	5.031	4.5004	4.994	4.517	5.021
5	16-QAM	4.53	5.035	4.526	5.018	4.497	5.009
10	QPSK	8.918	9.611	8.935	9.694	8.932	9.768
15	QPSK	13.394	14.57	13.472	14.81	13.469	14.74
20	QPSK	17.79	19.2	17.911	19.36	17.885	19.25
LTE Band 26(Part 22) Bandwidth [MHz]							
BW [MHz]	Mode	Lowest		Middle		Highest	
		99% BW	26dB BW	99% BW	26dB BW	99% BW	26dB BW
1.4	QPSK	1.0987	1.309	1.1049	1.291	1.0965	1.311
1.4	16-QAM	1.091	1.279	1.0966	1.296	1.1	1.304
3	QPSK	2.689	2.922	2.684	2.945	2.684	2.927
3	16-QAM	2.681	2.919	2.6791	2.94	2.683	2.948
5	QPSK	4.503	5.005	4.505	4.987	4.5122	4.988
5	16-QAM	4.5145	5.021	4.532	5.028	4.5	5
10	QPSK	8.894	9.578	8.946	9.731	8.892	9.582
15	QPSK	13.347	14.51	13.513	14.81	13.408	14.67



LTE Band 26(Part 90) Bandwidth [MHz]							
BW [MHz]	Mode	Lowest		Middle		Highest	
		99% BW	26dB BW	99% BW	26dB BW	99% BW	26dB BW
1.4	QPSK	1.099	1.364	1.1027	1.294	1.095	1.304
1.4	16-QAM	1.0947	1.295	1.0965	1.293	1.1	1.308
3	QPSK	2.6919	2.946	2.684	2.949	2.6837	2.919
3	16-QAM	2.679	2.926	2.681	2.936	2.68	2.943
5	QPSK	4.507	5.038	4.5038	4.982	4.526	5.037
5	16-QAM	4.528	5.007	4.531	5.026	4.509	5.021
10	QPSK	N/A	N/A	8.96	9.753	N/A	N/A

LTE Band 41 Bandwidth [MHz]							
BW [MHz]	Mode	Lowest		Middle		Highest	
		99% BW	26dB BW	99% BW	26dB BW	99% BW	26dB BW
5	QPSK	4.501	5.322	4.492	5.011	4.5061	5.024
5	16-QAM	4.512	5.021	4.502	5.331	4.501	5.422
10	QPSK	8.922	10.05	8.9253	9.612	8.934	10.22
15	QPSK	13.433	16.32	13.434	15.85	13.473	16.18
20	QPSK	17.851	19.38	17.84	19.37	17.888	19.14

LTE Band 66 Bandwidth [MHz]							
BW [MHz]	Mode	Lowest		Middle		Highest	
		99% BW	26dB BW	99% BW	26dB BW	99% BW	26dB BW
1.4	QPSK	1.099	1.322	1.104	1.28	1.097	1.321
1.4	16-QAM	1.0992	1.303	1.091	1.281	1.098	1.307
3	QPSK	2.688	2.911	2.684	2.928	2.682	2.916
3	16-QAM	2.68	2.933	2.681	2.916	2.68	2.932
5	QPSK	4.504	5.019	4.499	5.016	4.518	4.999
5	16-QAM	4.5023	5.018	4.51	5.025	4.524	5.037
10	QPSK	8.912	9.618	8.922	9.648	8.922	9.711
15	QPSK	13.379	14.61	13.424	14.74	13.477	14.73
20	QPSK	17.856	19.14	17.861	19.31	17.912	19.22

LTE Band 71 Bandwidth [MHz]							
BW [MHz]	Mode	Lowest		Middle		Highest	
		99% BW	26dB BW	99% BW	26dB BW	99% BW	26dB BW
5	QPSK	4.499	4.988	4.493	4.998	4.526	5.035
5	16-QAM	4.493	5.006	4.519	5.021	4.531	5.035
10	QPSK	8.867	9.575	8.92	9.607	8.954	9.83
15	QPSK	13.345	14.49	13.414	14.61	13.482	14.69
20	QPSK	17.813	19.08	17.849	19.24	17.835	19.08

Note: Test chart See Appendix A



7. CONDUCTED BAND EDGE

7.1 DESCRIPTION OF CONDUCTED BAND EDGE MEASUREMENT

7.1.1 MEASUREMENT METHOD

1. §22.917(a)

For operations in the 824 – 849 MHz band, the FCC limit is $43 + 10\log_{10}(P[\text{Watts}])$ dB below the transmitter power $P(\text{Watts})$ in a 100kHz bandwidth. However, in the 1MHz bands immediately outside and adjacent to the licensee's frequency block, a resolution bandwidth of at least one percent of the emission bandwidth of the fundamental emission of the transmitter may be employed.

2. §24.238 (a)

For operations in the 1850-1910 and 1930-1990 MHz band, the FCC limit is $43 + 10\log_{10}(P[\text{Watts}])$ dB below the transmitter power $P(\text{Watts})$ in a 1MHz bandwidth. However, in the 1 MHz bands immediately outside and adjacent to the frequency block a resolution bandwidth of at least one percent of the emission bandwidth of the fundamental emission of the transmitter may be employed

3. §27.53 (h)

For operations in the 1710 – 1755 MHz band, the FCC limit is $43 + 10\log_{10}(P[\text{Watts}])$ dB below the transmitter power $P(\text{Watts})$ in a 1 MHz bandwidth. However, in the 1MHz bands immediately outside and adjacent to the licensee's frequency block, a resolution bandwidth of at least one percent of the emission bandwidth of the fundamental emission of the transmitter may be employed.

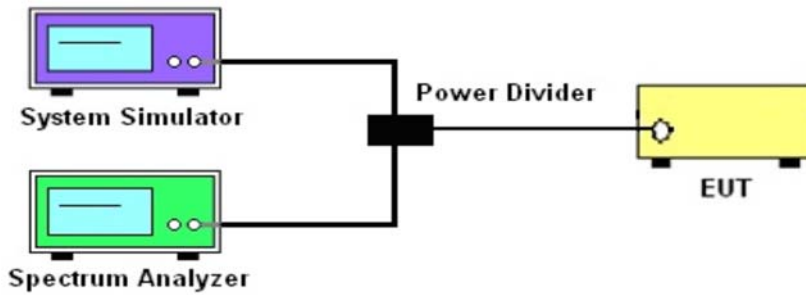
4. §27.53(m)(4)

For operations in the 2500 MHz ~ 2570 MHz band this section, the attenuation factor shall be not less than $40 + 10 \log (P)$ dB on all frequencies between the channel edge and 5 megahertz from the channel edge, $43 + 10 \log (P)$ dB on all frequencies between 5 megahertz and X megahertz from the channel edge, and $55 + 10 \log (P)$ dB on all frequencies more than X megahertz from the channel edge, where X is the greater of 6 megahertz or the actual emission bandwidth as defined in paragraph (m)(6) of this section. In addition, the attenuation factor shall not be less that $43 + 10 \log (P)$ dB on all frequencies between 2490.5 MHz and 2496 MHz and $55 + 10 \log (P)$ dB at or below 2490.5 MHz. Mobile Satellite Service licensees operating on frequencies below 2495 MHz may also submit a documented interference complaint against BRS licensees operating on channel BRS Channel 1 on the same terms and conditions as adjacent channel BRS or EBS licensees.

5. §27.53 (g)

For operations in the 698 -746 MHz band, the FCC limit is $43 + 10\log_{10}(P[\text{Watts}])$ dB below the transmitter power $P(\text{Watts})$ in a 100 kHz bandwidth. However, in the 100 kilohertz bands immediately outside and adjacent to a licensee's frequency block, a resolution bandwidth of at least 30 kHz may be employed.

7.1.2 TEST SETUP



7.1.3 TEST PROCEDURES

1. The testing FCC KDB 971168 D01 v03r01 Section 6.0 and ANSI C63.26 2015 Section 5.7.
2. The EUT was connected to spectrum analyzer and system simulator via a power divider.
3. The band edges of low and high channels for the highest RF powers were measured. Set RBW $\geq 1\%$ EBW in the 1MHz band immediately outside and adjacent to the band edge.
4. Set spectrum analyzer with RMS/AVG detector.
5. The RF fundamental frequency should be excluded against the limit line in the operating frequency band.
6. The limit line is derived from $43 + 10\log(P)$ dB below the transmitter power P(Watts)

$$= P(W) - [43 + 10\log(P)] \text{ (dB)}$$

$$= [30 + 10\log(P)] \text{ (dBm)} - [43 + 10\log(P)] \text{ (dB)}$$

$$= -13\text{dBm}.$$

Band 7:

$$= P(W) - [55 + 10\log(P)] \text{ (dB)}$$

$$= [30 + 10\log(P)] \text{ (dBm)} - [55 + 10\log(P)] \text{ (dB)}$$

$$= -25\text{dBm}.$$

LTE BW	LTE					
	1.4M	3M	5M	10M	15M	20M
Span	12MHz	13MHz	15MHz	20MHz	25MHz	30MHz
RBW	30kHz	30kHz	100kHz	100kHz	300kHz	300kHz
VBW	100kHz	100kHz	300kHz	300kHz	1000kHz	1000kHz
Detector	RMS	RMS	RMS	RMS	RMS	RMS
Trace	Max	Max	Max	Max	Max	Max
Sweep Count	Auto	Auto	Auto	Auto	Auto	Auto

7.1.4 MEASUREMENT RESULT

Note: Test chart See Appendix B

8. CONDUCTED SPURIOUS EMISSION

8.1 DESCRIPTION OF CONDUCTED SPURIOUS EMISSION MEASUREMENT

8.1.1 MEASUREMENT METHOD

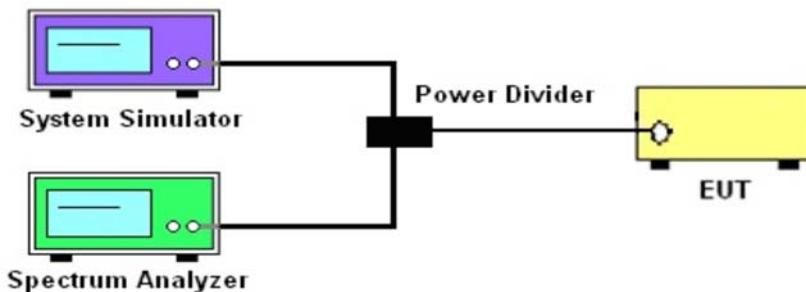
The power of any emission outside of the authorized operating frequency ranges must be lower than the transmitter power (P) by a factor of at least 43 + 10 log (P) dB.

For Band 7:

The power of any emission outside of the authorized operating frequency ranges must be lower than the transmitter power (P) by a factor of at least 55 + 10 log (P) dB.

It is measured by means of a calibrated spectrum analyzer and scanned from 30 MHz up to a frequency including its 10th harmonic.

8.1.2 TEST SETUP



8.1.3 TEST PROCEDURES

1. The testing FCC KDB 971168 D01 v03r01 Section 6.0 and ANSI C63.26 2015 Section 5.7.
2. The EUT was connected to spectrum analyzer and system simulator via a power divider.
3. The RF output of EUT was connected to the spectrum analyzer by RF cable and attenuator. The path loss was compensated to the results for each measurement
4. Make the measurement with the spectrum analyzer's RBW = 1MHz, VBW = 3MHz, taking the record of maximum spurious emission.
5. The RF fundamental frequency should be excluded against the limit line in the operating frequency band.
6. The limit line is derived from $43 + 10\log(P)$ dB below the transmitter power P(Watts)
 $= P(W) - [43 + 10\log(P)] \text{ (dB)} = [30 + 10\log(P)] \text{ (dBm)} - [43 + 10\log(P)] \text{ (dB)}$
 $= -13\text{dBm}$.

For Band 7: $P(W) - [43 + 10\log(P)] \text{ (dB)} = -25\text{dBm}$

	LTE					
LTE BW	1.4M	3M	5M	10M	15M	20M
Span	Auto	Auto	Auto	Auto	Auto	Auto
RBW	1000kHz	1000kHz	1000kHz	1000kHz	1000kHz	1000kHz
VBW	3000kHz	3000kHz	3000kHz	3000kHz	3000kHz	3000kHz
Detector	PK	PK	PK	PK	PK	PK
Trace	Max	Max	Max	Max	Max	Max

8.1.4 TEST RESULTS

Note: Test chart See Appendix C

9. RADIATED SPURIOUS EMISSION

9.1 DESCRIPTION OF RADIATED SPURIOUS EMISSION

9.1.1 MEASUREMENT METHOD

The radiated spurious emission was measured by substitution method according to ANSI C63.26 2015. The power of any emission outside of the authorized operating frequency ranges must be attenuated below the transmitter power (P) by a factor of at least $43 + 10 \log (P)$ dB.

For Band 7 The power of any emission outside of the authorized operating frequency ranges must be attenuated below the transmitter power (P) by a factor of at least $55 + 10 \log (P)$ dB. The spectrum is scanned from 30 MHz up to a frequency including its 10th harmonic.

9.1.2 TEST SETUP

The procedure of radiated spurious emissions is as follows:

a) Pre-calibration With pre-calibration method, the Radiated Spurious Emissions(RSE) is calculated as, $RSE = Rx \text{ (dBuV)} + CL \text{ (dB)} + SA \text{ (dB)} + Gain \text{ (dBi)} - 107 \text{ (dBuV to dBm)}$ The SA is calibrated using following setup.

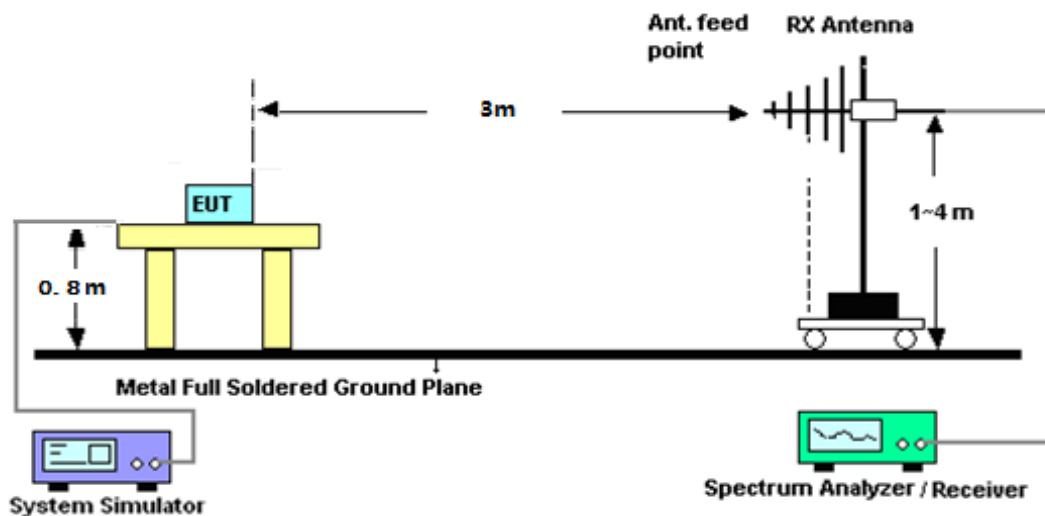
b) EUT was placed on 1.5 m non-conductive stand at a 3 m test distance from the receive antenna. A receiving antenna was placed on the antenna mast 3 m from the test item for emission measurements. The height of receiving antenna is 0.8m. The test setup refers to figure below. Detected emissions were maximized at each frequency by rotating the test item and adjusting the receiving antenna polarization. The radiated emission measurements of all non-harmonic and harmonics of the transmit frequency through the 10th harmonic measured with peak detector and 1MHz bandwidth.

Radiated emissions measurements were made only at the upper, middle, and lower carrier frequencies It was decided that measurements at these three carrier frequencies would be sufficient to demonstrate compliance with emissions limits because it was seen that all the significant spurs occur well outside the band and no radiation was seen from a carrier in one block of any band into any of the other blocks.

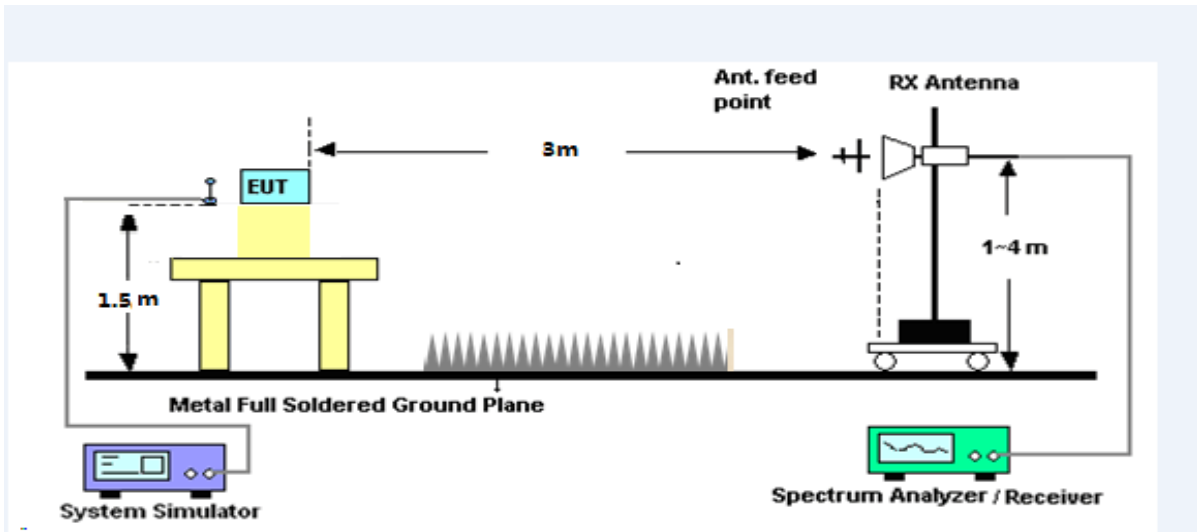
The substitution method is used. Substitution values at each frequency are measured before and saved to the test software. A "reference path loss" is established and the ARpl is the attenuation of "reference path loss", and including the gain of receive antenna, the gain of the preamplifier, the cable loss and the air loss. The measurement results are obtained as described below:

Power = $P_{Mea} + AR_{pl}$

For radiated test from 30MHz to 1GHz



For radiated test from above 1GHz



9.1.3 TEST PROCEDURES

1. The testing FCC KDB 971168 D01 Section 7 and ANSI C63.26 2015 Section 5.5.
2. The EUT was placed on a rotatable wooden table with 1.5 meter above ground.
3. The EUT was set 3 meters from the receiving antenna, which was mounted on the antenna tower.
4. The table was rotated 360 degrees to determine the position of the highest spurious emission.
5. The height of the receiving antenna is varied between one meter and four meters to search the maximum spurious emission for both horizontal and vertical polarizations
6. Make the measurement with the spectrum analyzer's RBW = 1MHz, VBW = 3MHz, taking the record of maximum spurious emission.
7. A horn antenna was substituted in place of the EUT and was driven by a signal generator.
8. Tune the output power of signal generator to the same emission level with EUT maximum spurious emission.
9. Taking the record of output power at antenna port.
10. Repeat step 7 to step 8 for another polarization.
11. The RF fundamental frequency should be excluded against the limit line in the operating frequency band.

The limit line is derived from $43 + 10\log(P)$ dB below the transmitter power P(Watts)
 $= P(W) - [43 + 10\log(P)]$ (dB)
 $= [30 + 10\log(P)]$ (dBm) - $[43 + 10\log(P)]$ (dB)
 $= -13$ dBm

For Band 7:

The limit line is derived from $55 + 10\log(P)$ dB below the transmitter power P(Watts)
 $= [30 + 10\log(P)]$ (dBm) - $[55 + 10\log(P)]$ (dB)
 $= -25$ dBm

EIRP (dBm) = S.G. Power – Tx Cable Loss + Tx Antenna Gain

ERP (dBm) = EIRP - 2.15



9.1.4 TEST RESULTS

LTE Band 12 / 1.4MHz / QPSK / RB Size 1 Offset 0/ The Worst Test Results for Lowest							
Frequency(MHz)	S G.Lev (dBm)	Ant(dBi)	Loss	PMea (dBm)	Limit (dBm)	Margin (dBm)	Polarity
1399.35	-34.84	8.17	9.34	-36.01	-13.00	-23.01	H
2098.93	-34.48	9.53	10.42	-35.37	-13.00	-22.37	H
2798.68	-32.65	11.27	11.12	-32.50	-13.00	-19.50	H
1399.35	-35.01	8.17	9.34	-36.18	-13.00	-23.18	V
2098.93	-34.98	9.53	10.42	-35.87	-13.00	-22.87	V
2798.68	-32.98	11.27	11.12	-32.83	-13.00	-19.83	V
LTE Band 12 / 1.4MHz / QPSK / RB Size 1 Offset 0/ The Worst Test Results for Middle							
Frequency(MHz)	S G.Lev (dBm)	Ant(dBi)	Loss	PMea (dBm)	Limit (dBm)	Margin (dBm)	Polarity
1414.85	-34.28	8.17	9.34	-35.45	-13.00	-22.45	H
2122.35	-34.65	9.53	10.42	-35.54	-13.00	-22.54	H
2829.81	-33.57	11.27	11.12	-33.42	-13.00	-20.42	H
1414.85	-34.54	8.17	9.34	-35.71	-13.00	-22.71	V
2122.35	-34.78	9.53	10.42	-35.67	-13.00	-22.67	V
2829.81	-32.19	11.27	11.12	-32.04	-13.00	-19.04	V
LTE Band 12 / 1.4MHz / QPSK / RB Size 1 Offset 0/ The Worst Test Results for Highest							
Frequency(MHz)	S G.Lev (dBm)	Ant(dBi)	Loss	PMea (dBm)	Limit (dBm)	Margin (dBm)	Polarity
1430.33	-33.56	8.17	9.34	-34.73	-13.00	-21.73	H
2145.63	-34.12	9.53	10.42	-35.01	-13.00	-22.01	H
2861.13	-32.26	11.27	11.12	-32.11	-13.00	-19.11	H
1430.33	-35.36	8.17	9.34	-36.53	-13.00	-23.53	V
2145.63	-34.33	9.53	10.42	-35.22	-13.00	-22.22	V
2861.13	-32.92	11.27	11.12	-32.77	-13.00	-19.77	V



LTE Band 12 / 3MHz / QPSK / RB Size 1 Offset 0/ The Worst Test Results for Lowest							
Frequency(MHz)	S G.Lev (dBm)	Ant(dBi)	Loss	PMea	Limit	Margin	Polarity
				(dBm)	(dBm)	(dBm)	
1400.55	-34.60	8.17	9.34	-35.77	-13.00	-22.77	H
2101.12	-34.09	9.53	10.42	-34.98	-13.00	-21.98	H
2801.99	-32.19	11.27	11.12	-32.04	-13.00	-19.04	H
1400.55	-35.24	8.17	9.34	-36.41	-13.00	-23.41	V
2101.12	-34.68	9.53	10.42	-35.57	-13.00	-22.57	V
2801.99	-32.40	11.27	11.12	-32.25	-13.00	-19.25	V
LTE Band 12 / 3MHz / QPSK / RB Size 1 Offset 0/ The Worst Test Results for Middle							
Frequency(MHz)	S G.Lev (dBm)	Ant(dBi)	Loss	PMea	Limit	Margin	Polarity
				(dBm)	(dBm)	(dBm)	
1414.98	-34.43	8.17	9.34	-35.60	-13.00	-22.60	H
2122.14	-34.11	9.53	10.42	-35.00	-13.00	-22.00	H
2829.82	-33.17	11.27	11.12	-33.02	-13.00	-20.02	H
1414.98	-35.43	8.17	9.34	-36.60	-13.00	-23.60	V
2122.14	-34.77	9.53	10.42	-35.66	-13.00	-22.66	V
2829.82	-32.57	11.27	11.12	-32.42	-13.00	-19.42	V
LTE Band 12 / 3MHz / QPSK / RB Size 1 Offset 0/ The Worst Test Results for Highest							
Frequency(MHz)	S G.Lev (dBm)	Ant(dBi)	Loss	PMea	Limit	Margin	Polarity
				(dBm)	(dBm)	(dBm)	
1428.84	-33.82	8.17	9.34	-34.99	-13.00	-21.99	H
2143.08	-34.27	9.53	10.42	-35.16	-13.00	-22.16	H
2857.98	-32.25	11.27	11.12	-32.10	-13.00	-19.10	H
1428.84	-34.95	8.17	9.34	-36.12	-13.00	-23.12	V
2143.08	-34.57	9.53	10.42	-35.46	-13.00	-22.46	V
2857.98	-31.73	11.27	11.12	-31.58	-13.00	-18.58	V



LTE Band 12 / 5MHz / QPSK / RB Size 1 Offset 0/ The Worst Test Results for Lowest							
Frequency(MHz)	S G.Lev (dBm)	Ant(dBi)	Loss	PMea	Limit	Margin	Polarity
				(dBm)	(dBm)	(dBm)	
1402.81	-34.27	8.17	9.34	-35.44	-13.00	-22.44	H
2104.27	-34.32	9.53	10.42	-35.21	-13.00	-22.21	H
2805.66	-32.69	11.27	11.12	-32.54	-13.00	-19.54	H
1402.81	-35.97	8.17	9.34	-37.14	-13.00	-24.14	V
2104.27	-34.52	9.53	10.42	-35.41	-13.00	-22.41	V
2805.66	-32.18	11.27	11.12	-32.03	-13.00	-19.03	V
LTE Band 12 / 5MHz / QPSK / RB Size 1 Offset 0/ The Worst Test Results for Middle							
Frequency(MHz)	S G.Lev (dBm)	Ant(dBi)	Loss	PMea	Limit	Margin	Polarity
				(dBm)	(dBm)	(dBm)	
1414.90	-34.62	8.17	9.34	-35.79	-13.00	-22.79	H
2122.06	-34.01	9.53	10.42	-34.90	-13.00	-21.90	H
2829.96	-32.26	11.27	11.12	-32.11	-13.00	-19.11	H
1414.90	-35.44	8.17	9.34	-36.61	-13.00	-23.61	V
2122.06	-34.12	9.53	10.42	-35.01	-13.00	-22.01	V
2829.96	-33.19	11.27	11.12	-33.04	-13.00	-20.04	V
LTE Band 12 / 5MHz / QPSK / RB Size 1 Offset 0/ The Worst Test Results for Highest							
Frequency(MHz)	S G.Lev (dBm)	Ant(dBi)	Loss	PMea	Limit	Margin	Polarity
				(dBm)	(dBm)	(dBm)	
1426.61	-33.74	8.17	9.34	-34.91	-13.00	-21.91	H
2140.47	-34.07	9.53	10.42	-34.96	-13.00	-21.96	H
2853.75	-32.58	11.27	11.12	-32.43	-13.00	-19.43	H
1426.61	-35.03	8.17	9.34	-36.20	-13.00	-23.20	V
2140.47	-34.78	9.53	10.42	-35.67	-13.00	-22.67	V
2853.75	-31.78	11.27	11.12	-31.63	-13.00	-18.63	V



LTE Band 12 / 10MHz / QPSK / RB Size 1 Offset 0/ The Worst Test Results for Lowest							
Frequency(MHz)	S G.Lev (dBm)	Ant(dBi)	Loss	PMea	Limit	Margin	Polarity
				(dBm)	(dBm)	(dBm)	
1407.60	-34.19	8.17	9.34	-35.36	-13.00	-22.36	H
2111.73	-35.32	9.53	10.42	-36.21	-13.00	-23.21	H
2815.50	-32.38	11.27	11.12	-32.23	-13.00	-19.23	H
1407.60	-35.72	8.17	9.34	-36.89	-13.00	-23.89	V
2111.73	-34.59	9.53	10.42	-35.48	-13.00	-22.48	V
2815.50	-33.04	11.27	11.12	-32.89	-13.00	-19.89	V
LTE Band 12 / 10MHz / QPSK / RB Size 1 Offset 0/ The Worst Test Results for Middle							
Frequency(MHz)	S G.Lev (dBm)	Ant(dBi)	Loss	PMea	Limit	Margin	Polarity
				(dBm)	(dBm)	(dBm)	
1414.81	-34.03	8.17	9.34	-35.20	-13.00	-22.20	H
2122.40	-34.01	9.53	10.42	-34.90	-13.00	-21.90	H
2829.58	-33.06	11.27	11.12	-32.91	-13.00	-19.91	H
1414.81	-34.67	8.17	9.34	-35.84	-13.00	-22.84	V
2122.40	-35.07	9.53	10.42	-35.96	-13.00	-22.96	V
2829.58	-31.74	11.27	11.12	-31.59	-13.00	-18.59	V
LTE Band 12 / 10MHz / QPSK / RB Size 1 Offset 0/ The Worst Test Results for Highest							
Frequency(MHz)	S G.Lev (dBm)	Ant(dBi)	Loss	PMea	Limit	Margin	Polarity
				(dBm)	(dBm)	(dBm)	
1421.75	-34.12	8.17	9.34	-35.29	-13.00	-22.29	H
2132.91	-35.05	9.53	10.42	-35.94	-13.00	-22.94	H
2843.76	-32.97	11.27	11.12	-32.82	-13.00	-19.82	H
1421.75	-35.36	8.17	9.34	-36.53	-13.00	-23.53	V
2132.91	-34.03	9.53	10.42	-34.92	-13.00	-21.92	V
2843.76	-32.82	11.27	11.12	-32.67	-13.00	-19.67	V



LTE Band 13 / 5MHz / QPSK / RB Size 1 Offset 0/ The Worst Test Results for Lowest							
Frequency(MHz)	S G.Lev (dBm)	Ant(dBi)	Loss	PMea	Limit	Margin	Polarity
				(dBm)	(dBm)	(dBm)	
1559.09	-33.89	9.56	9.72	-34.05	-13.00	-21.05	H
2338.38	-34.99	10.50	10.86	-35.35	-13.00	-22.35	H
3118.16	-32.49	12.78	11.57	-31.28	-13.00	-18.28	H
1559.09	-34.84	9.56	9.72	-35.00	-13.00	-22.00	V
2338.38	-34.57	10.50	10.86	-34.93	-13.00	-21.93	V
3118.16	-33.07	12.78	11.57	-31.86	-13.00	-18.86	V
LTE Band 13 / 5MHz / QPSK / RB Size 1 Offset 0/ The Worst Test Results for Middle							
Frequency(MHz)	S G.Lev (dBm)	Ant(dBi)	Loss	PMea	Limit	Margin	Polarity
				(dBm)	(dBm)	(dBm)	
1564.21	-34.21	9.56	9.72	-34.37	-13.00	-21.37	H
2345.97	-34.55	10.50	10.86	-34.91	-13.00	-21.91	H
3128.23	-32.82	12.78	11.57	-31.61	-13.00	-18.61	H
1564.21	-35.02	9.56	9.72	-35.18	-13.00	-22.18	V
2345.97	-35.14	10.50	10.86	-35.50	-13.00	-22.50	V
3128.23	-32.51	12.78	11.57	-31.30	-13.00	-18.30	V
LTE Band 13 / 5MHz / QPSK / RB Size 1 Offset 0/ The Worst Test Results for Highest							
Frequency(MHz)	S G.Lev (dBm)	Ant(dBi)	Loss	PMea	Limit	Margin	Polarity
				(dBm)	(dBm)	(dBm)	
1569.00	-33.65	9.56	9.72	-33.81	-13.00	-20.81	H
2353.25	-34.82	10.50	10.86	-35.18	-13.00	-22.18	H
3138.19	-33.39	12.78	11.57	-32.18	-13.00	-19.18	H
1569.00	-34.87	9.56	9.72	-35.03	-13.00	-22.03	V
2353.25	-34.65	10.50	10.86	-35.01	-13.00	-22.01	V
3138.19	-32.78	12.78	11.57	-31.57	-13.00	-18.57	V

LTE Band 13 / 10MHz / QPSK / RB Size 1 Offset 0/ The Worst Test Results for Middle							
Frequency(MHz)	S G.Lev (dBm)	Ant(dBi)	Loss	PMea	Limit	Margin	Polarity
				(dBm)	(dBm)	(dBm)	
1563.71	-34.74	9.56	9.72	-34.90	-13.00	-21.90	H
2346.01	-35.39	10.50	10.86	-35.75	-13.00	-22.75	H
3127.97	-32.49	12.78	11.57	-31.28	-13.00	-18.28	H
1563.71	-34.92	9.56	9.72	-35.08	-13.00	-22.08	V
2346.01	-34.26	10.50	10.86	-34.62	-13.00	-21.62	V
3127.97	-32.43	12.78	11.57	-31.22	-13.00	-18.22	V



LTE Band 14 / 5MHz / QPSK / RB Size 1 Offset 0/ The Worst Test Results for Lowest							
Frequency(MHz)	S G.Lev (dBm)	Ant(dBi)	Loss	PMea	Limit	Margin	Polarity
				(dBm)	(dBm)	(dBm)	
1580.74	-33.98	9.56	9.72	-34.14	-13.00	-21.14	H
2371.46	-34.89	10.50	10.86	-35.25	-13.00	-22.25	H
3161.99	-33.13	12.78	11.57	-31.92	-13.00	-18.92	H
1580.74	-35.02	9.56	9.72	-35.18	-13.00	-22.18	V
2371.46	-34.67	10.50	10.86	-35.03	-13.00	-22.03	V
3161.99	-33.10	12.78	11.57	-31.89	-13.00	-18.89	V
LTE Band 14 / 5MHz / QPSK / RB Size 1 Offset 0/ The Worst Test Results for Middle							
Frequency(MHz)	S G.Lev (dBm)	Ant(dBi)	Loss	PMea	Limit	Margin	Polarity
				(dBm)	(dBm)	(dBm)	
1581.97	-33.81	9.56	9.72	-33.97	-13.00	-20.97	H
2378.94	-34.13	10.50	10.86	-34.49	-13.00	-21.49	H
3172.02	-32.31	12.78	11.57	-31.10	-13.00	-18.10	H
1581.97	-35.76	9.56	9.72	-35.92	-13.00	-22.92	V
2378.94	-34.13	10.50	10.86	-34.49	-13.00	-21.49	V
3172.02	-32.59	12.78	11.57	-31.38	-13.00	-18.38	V
LTE Band 14 / 5MHz / QPSK / RB Size 1 Offset 0/ The Worst Test Results for Highest							
Frequency(MHz)	S G.Lev (dBm)	Ant(dBi)	Loss	PMea	Limit	Margin	Polarity
				(dBm)	(dBm)	(dBm)	
1590.85	-33.52	9.56	9.72	-33.68	-13.00	-20.68	H
2385.86	-34.82	10.50	10.86	-35.18	-13.00	-22.18	H
3182.02	-32.99	12.78	11.57	-31.78	-13.00	-18.78	H
1590.85	-35.66	9.56	9.72	-35.82	-13.00	-22.82	V
2385.86	-34.91	10.50	10.86	-35.27	-13.00	-22.27	V
3182.02	-31.90	12.78	11.57	-30.69	-13.00	-17.69	V

LTE Band 14 / 10MHz / QPSK / RB Size 1 Offset 0/ The Worst Test Results for Middle							
Frequency(MHz)	S G.Lev (dBm)	Ant(dBi)	Loss	PMea	Limit	Margin	Polarity
				(dBm)	(dBm)	(dBm)	
1581.85	-33.95	9.56	9.72	-34.11	-13.00	-21.11	H
2379.05	-34.13	10.50	10.86	-34.49	-13.00	-21.49	H
3172.03	-33.53	12.78	11.57	-32.32	-13.00	-19.32	H
1581.85	-34.98	9.56	9.72	-35.14	-13.00	-22.14	V
2379.05	-33.91	10.50	10.86	-34.27	-13.00	-21.27	V
3172.03	-33.18	12.78	11.57	-31.97	-13.00	-18.97	V



LTE Band 25 / 1.4MHz / QPSK / RB Size 1 Offset 0/ The Worst Test Results for Lowest							
Frequency(MHz)	S G.Lev (dBm)	Ant(dBi)	Loss	PMea	Limit	Margin	Polarity
				(dBm)	(dBm)	(dBm)	
3701.14	-34.55	12.60	12.93	-34.88	-13.00	-21.88	H
5552.06	-34.07	13.10	17.11	-38.08	-13.00	-25.08	H
7402.73	-32.59	11.50	22.20	-43.29	-13.00	-30.29	H
3701.14	-34.77	12.60	12.93	-35.10	-13.00	-22.10	V
5552.06	-34.51	13.10	17.11	-38.52	-13.00	-25.52	V
7402.73	-31.90	11.50	22.20	-42.60	-13.00	-29.60	V
LTE Band 25 / 1.4MHz / QPSK / RB Size 1 Offset 0/ The Worst Test Results for Middle							
Frequency(MHz)	S G.Lev (dBm)	Ant(dBi)	Loss	PMea	Limit	Margin	Polarity
				(dBm)	(dBm)	(dBm)	
3764.92	-34.28	12.60	12.93	-34.61	-13.00	-21.61	H
5647.00	-34.55	13.10	17.11	-38.56	-13.00	-25.56	H
7529.81	-32.67	11.50	22.20	-43.37	-13.00	-30.37	H
3764.92	-35.40	12.60	12.93	-35.73	-13.00	-22.73	V
5647.00	-34.32	13.10	17.11	-38.33	-13.00	-25.33	V
7529.81	-33.17	11.50	22.20	-43.87	-13.00	-30.87	V
LTE Band 25 / 1.4MHz / QPSK / RB Size 1 Offset 0/ The Worst Test Results for Highest							
Frequency(MHz)	S G.Lev (dBm)	Ant(dBi)	Loss	PMea	Limit	Margin	Polarity
				(dBm)	(dBm)	(dBm)	
3828.40	-33.67	12.60	12.93	-34.00	-13.00	-21.00	H
5727.54	-34.61	13.10	17.11	-38.62	-13.00	-25.62	H
7656.89	-33.39	11.50	22.20	-44.09	-13.00	-31.09	H
3828.40	-34.66	12.60	12.93	-34.99	-13.00	-21.99	V
5727.54	-34.42	13.10	17.11	-38.43	-13.00	-25.43	V
7656.89	-32.51	11.50	22.20	-43.21	-13.00	-30.21	V



LTE Band 25 / 3MHz / QPSK / RB Size 1 Offset 0/ The Worst Test Results for Lowest							
Frequency(MHz)	S G.Lev (dBm)	Ant(dBi)	Loss	PMea	Limit	Margin	Polarity
				(dBm)	(dBm)	(dBm)	
3703.13	-33.62	12.60	12.93	-33.95	-13.00	-20.95	H
5554.47	-35.23	13.10	17.11	-39.24	-13.00	-26.24	H
7405.99	-32.36	11.50	22.20	-43.06	-13.00	-30.06	H
3703.13	-35.59	12.60	12.93	-35.92	-13.00	-22.92	V
5554.47	-34.70	13.10	17.11	-38.71	-13.00	-25.71	V
7405.99	-32.21	11.50	22.20	-42.91	-13.00	-29.91	V
LTE Band 25 / 3MHz / QPSK / RB Size 1 Offset 0/ The Worst Test Results for Middle							
Frequency(MHz)	S G.Lev (dBm)	Ant(dBi)	Loss	PMea	Limit	Margin	Polarity
				(dBm)	(dBm)	(dBm)	
3765.25	-33.86	12.60	12.93	-34.19	-13.00	-21.19	H
5646.98	-35.31	13.10	17.11	-39.32	-13.00	-26.32	H
7530.03	-32.63	11.50	22.20	-43.33	-13.00	-30.33	H
3765.25	-34.92	12.60	12.93	-35.25	-13.00	-22.25	V
5646.98	-34.38	13.10	17.11	-38.39	-13.00	-25.39	V
7530.03	-31.77	11.50	22.20	-42.47	-13.00	-29.47	V
LTE Band 25 / 3MHz / QPSK / RB Size 1 Offset 0/ The Worst Test Results for Highest							
Frequency(MHz)	S G.Lev (dBm)	Ant(dBi)	Loss	PMea	Limit	Margin	Polarity
				(dBm)	(dBm)	(dBm)	
3826.92	-33.87	12.60	12.93	-34.20	-13.00	-21.20	H
5739.74	-35.08	13.10	17.11	-39.09	-13.00	-26.09	H
7654.27	-32.93	11.50	22.20	-43.63	-13.00	-30.63	H
3826.92	-34.84	12.60	12.93	-35.17	-13.00	-22.17	V
5739.74	-35.00	13.10	17.11	-39.01	-13.00	-26.01	V
7654.27	-32.09	11.50	22.20	-42.79	-13.00	-29.79	V



LTE Band 25 / 5MHz / QPSK / RB Size 1 Offset 0/ The Worst Test Results for Lowest							
Frequency(MHz)	S G.Lev (dBm)	Ant(dBi)	Loss	PMea	Limit	Margin	Polarity
				(dBm)	(dBm)	(dBm)	
3705.23	-34.31	12.60	12.93	-34.64	-13.00	-21.64	H
5557.39	-35.41	13.10	17.11	-39.42	-13.00	-26.42	H
7409.95	-33.53	11.50	22.20	-44.23	-13.00	-31.23	H
3705.23	-35.81	12.60	12.93	-36.14	-13.00	-23.14	V
5557.39	-34.10	13.10	17.11	-38.11	-13.00	-25.11	V
7409.95	-33.03	11.50	22.20	-43.73	-13.00	-30.73	V
LTE Band 25 / 5MHz / QPSK / RB Size 1 Offset 0/ The Worst Test Results for Middle							
Frequency(MHz)	S G.Lev (dBm)	Ant(dBi)	Loss	PMea	Limit	Margin	Polarity
				(dBm)	(dBm)	(dBm)	
3765.02	-34.51	12.60	12.93	-34.84	-13.00	-21.84	H
5646.89	-34.62	13.10	17.11	-38.63	-13.00	-25.63	H
7529.95	-33.09	11.50	22.20	-43.79	-13.00	-30.79	H
3765.02	-36.00	12.60	12.93	-36.33	-13.00	-23.33	V
5646.89	-34.59	13.10	17.11	-38.60	-13.00	-25.60	V
7529.95	-33.19	11.50	22.20	-43.89	-13.00	-30.89	V
LTE Band 25 / 5MHz / QPSK / RB Size 1 Offset 0/ The Worst Test Results for Highest							
Frequency(MHz)	S G.Lev (dBm)	Ant(dBi)	Loss	PMea	Limit	Margin	Polarity
				(dBm)	(dBm)	(dBm)	
3825.43	-33.99	12.60	12.93	-34.32	-13.00	-21.32	H
5737.29	-35.24	13.10	17.11	-39.25	-13.00	-26.25	H
7650.37	-33.31	11.50	22.20	-44.01	-13.00	-31.01	H
3825.43	-34.82	12.60	12.93	-35.15	-13.00	-22.15	V
5737.29	-34.71	13.10	17.11	-38.72	-13.00	-25.72	V
7650.37	-32.57	11.50	22.20	-43.27	-13.00	-30.27	V



LTE Band 25 / 10MHz / QPSK / RB Size 1 Offset 0/ The Worst Test Results for Lowest							
Frequency(MHz)	S G.Lev (dBm)	Ant(dBi)	Loss	PMea	Limit	Margin	Polarity
				(dBm)	(dBm)	(dBm)	
3710.27	-34.53	12.60	12.93	-34.86	-13.00	-21.86	H
5565.43	-35.17	13.10	17.11	-39.18	-13.00	-26.18	H
7420.13	-33.26	11.50	22.20	-43.96	-13.00	-30.96	H
3710.27	-34.66	12.60	12.93	-34.99	-13.00	-21.99	V
5565.43	-34.94	13.10	17.11	-38.95	-13.00	-25.95	V
7420.13	-32.73	11.50	22.20	-43.43	-13.00	-30.43	V
LTE Band 25 / 10MHz / QPSK / RB Size 1 Offset 0/ The Worst Test Results for Middle							
Frequency(MHz)	S G.Lev (dBm)	Ant(dBi)	Loss	PMea	Limit	Margin	Polarity
				(dBm)	(dBm)	(dBm)	
3764.83	-34.26	12.60	12.93	-34.59	-13.00	-21.59	H
5647.43	-34.58	13.10	17.11	-38.59	-13.00	-25.59	H
7530.10	-32.94	11.50	22.20	-43.64	-13.00	-30.64	H
3764.83	-34.57	12.60	12.93	-34.90	-13.00	-21.90	V
5647.43	-34.12	13.10	17.11	-38.13	-13.00	-25.13	V
7530.10	-31.92	11.50	22.20	-42.62	-13.00	-29.62	V
LTE Band 25 / 10MHz / QPSK / RB Size 1 Offset 0/ The Worst Test Results for Highest							
Frequency(MHz)	S G.Lev (dBm)	Ant(dBi)	Loss	PMea	Limit	Margin	Polarity
				(dBm)	(dBm)	(dBm)	
3820.09	-34.71	12.60	12.93	-35.04	-13.00	-22.04	H
5730.00	-34.56	13.10	17.11	-38.57	-13.00	-25.57	H
7640.27	-32.55	11.50	22.20	-43.25	-13.00	-30.25	H
3820.09	-34.59	12.60	12.93	-34.92	-13.00	-21.92	V
5730.00	-34.58	13.10	17.11	-38.59	-13.00	-25.59	V
7640.27	-32.65	11.50	22.20	-43.35	-13.00	-30.35	V



LTE Band 25 / 15MHz / QPSK / RB Size 1 Offset 0/ The Worst Test Results for Lowest							
Frequency(MHz)	S G.Lev (dBm)	Ant(dBi)	Loss	PMea	Limit	Margin	Polarity
				(dBm)	(dBm)	(dBm)	
3715.12	-34.11	12.60	12.93	-34.44	-13.00	-21.44	H
5572.13	-35.47	13.10	17.11	-39.48	-13.00	-26.48	H
7430.86	-32.75	11.50	22.20	-43.45	-13.00	-30.45	H
3715.12	-35.61	12.60	12.93	-35.94	-13.00	-22.94	V
5572.13	-35.22	13.10	17.11	-39.23	-13.00	-26.23	V
7430.86	-32.11	11.50	22.20	-42.81	-13.00	-29.81	V
LTE Band 25 / 5MHz / QPSK / RB Size 1 Offset 0/ The Worst Test Results for Middle							
Frequency(MHz)	S G.Lev (dBm)	Ant(dBi)	Loss	PMea	Limit	Margin	Polarity
				(dBm)	(dBm)	(dBm)	
3764.83	-34.65	12.60	12.93	-34.98	-13.00	-21.98	H
5647.10	-34.58	13.10	17.11	-38.59	-13.00	-25.59	H
7429.81	-33.05	11.50	22.20	-43.75	-13.00	-30.75	H
3764.83	-35.03	12.60	12.93	-35.36	-13.00	-22.36	V
5647.10	-34.38	13.10	17.11	-38.39	-13.00	-25.39	V
7429.81	-32.43	11.50	22.20	-43.13	-13.00	-30.13	V
LTE Band 25 / 5MHz / QPSK / RB Size 1 Offset 0/ The Worst Test Results for Highest							
Frequency(MHz)	S G.Lev (dBm)	Ant(dBi)	Loss	PMea	Limit	Margin	Polarity
				(dBm)	(dBm)	(dBm)	
3815.51	-33.86	12.60	12.93	-34.19	-13.00	-21.19	H
5722.15	-34.22	13.10	17.11	-38.23	-13.00	-25.23	H
7630.25	-33.56	11.50	22.20	-44.26	-13.00	-31.26	H
3815.51	-35.93	12.60	12.93	-36.26	-13.00	-23.26	V
5722.15	-34.99	13.10	17.11	-39.00	-13.00	-26.00	V
7630.25	-31.83	11.50	22.20	-42.53	-13.00	-29.53	V



LTE Band 25 / 20MHz / QPSK / RB Size 1 Offset 0/ The Worst Test Results for Lowest							
Frequency(MHz)	S G.Lev (dBm)	Ant(dBi)	Loss	PMea	Limit	Margin	Polarity
				(dBm)	(dBm)	(dBm)	
3720.25	-34.10	12.60	12.93	-34.43	-13.00	-21.43	H
5580.21	-34.13	13.10	17.11	-38.14	-13.00	-25.14	H
7439.69	-32.79	11.50	22.20	-43.49	-13.00	-30.49	H
3720.25	-35.42	12.60	12.93	-35.75	-13.00	-22.75	V
5580.21	-34.21	13.10	17.11	-38.22	-13.00	-25.22	V
7439.69	-31.76	11.50	22.20	-42.46	-13.00	-29.46	V
LTE Band 25 / 10MHz / QPSK / RB Size 1 Offset 0/ The Worst Test Results for Middle							
Frequency(MHz)	S G.Lev (dBm)	Ant(dBi)	Loss	PMea	Limit	Margin	Polarity
				(dBm)	(dBm)	(dBm)	
3765.12	-34.32	12.60	12.93	-34.65	-13.00	-21.65	H
5646.97	-34.36	13.10	17.11	-38.37	-13.00	-25.37	H
7529.96	-32.79	11.50	22.20	-43.49	-13.00	-30.49	H
3765.12	-34.97	12.60	12.93	-35.30	-13.00	-22.30	V
5646.97	-35.18	13.10	17.11	-39.19	-13.00	-26.19	V
7529.96	-33.13	11.50	22.20	-43.83	-13.00	-30.83	V
LTE Band 25 / 10MHz / QPSK / RB Size 1 Offset 0/ The Worst Test Results for Highest							
Frequency(MHz)	S G.Lev (dBm)	Ant(dBi)	Loss	PMea	Limit	Margin	Polarity
				(dBm)	(dBm)	(dBm)	
3810.43	-34.47	12.60	12.93	-34.80	-13.00	-21.80	H
5715.53	-34.43	13.10	17.11	-38.44	-13.00	-25.44	H
7619.86	-32.71	11.50	22.20	-43.41	-13.00	-30.41	H
3810.43	-35.36	12.60	12.93	-35.69	-13.00	-22.69	V
5715.53	-33.86	13.10	17.11	-37.87	-13.00	-24.87	V
7619.86	-32.25	11.50	22.20	-42.95	-13.00	-29.95	V



LTE Band 26(Part 22) / 1.4MHz / QPSK / RB Size 1 Offset 0/ The Worst Test Results for Lowest							
Frequency(MHz)	S G.Lev (dBm)	Ant(dBi)	Loss	PMea	Limit	Margin	Polarity
				(dBm)	(dBm)	(dBm)	
1649.32	-34.02	9.56	9.72	-34.18	-13.00	-21.18	H
2473.47	-34.29	10.50	10.86	-34.65	-13.00	-21.65	H
3298.65	-32.93	12.78	11.57	-31.72	-13.00	-18.72	H
1649.32	-35.03	9.56	9.72	-35.19	-13.00	-22.19	V
2473.47	-34.55	10.50	10.86	-34.91	-13.00	-21.91	V
3298.65	-32.57	12.78	11.57	-31.36	-13.00	-18.36	V
LTE Band 26(Part 22) / 1.4MHz / QPSK / RB Size 1 Offset 0/ The Worst Test Results for Middle							
Frequency(MHz)	S G.Lev (dBm)	Ant(dBi)	Loss	PMea	Limit	Margin	Polarity
				(dBm)	(dBm)	(dBm)	
1673.15	-34.82	9.56	9.72	-34.98	-13.00	-21.98	H
2508.96	-35.33	10.50	10.86	-35.69	-13.00	-22.69	H
3346.15	-32.79	12.78	11.57	-31.58	-13.00	-18.58	H
1673.15	-35.60	9.56	9.72	-35.76	-13.00	-22.76	V
2508.96	-34.43	10.50	10.86	-34.79	-13.00	-21.79	V
3346.15	-33.06	12.78	11.57	-31.85	-13.00	-18.85	V
LTE Band 26(Part 22) / 1.4MHz / QPSK / RB Size 1 Offset 0/ The Worst Test Results for Highest							
Frequency(MHz)	S G.Lev (dBm)	Ant(dBi)	Loss	PMea	Limit	Margin	Polarity
				(dBm)	(dBm)	(dBm)	
1696.66	-34.05	9.56	9.72	-34.21	-13.00	-21.21	H
2544.79	-34.00	10.50	10.86	-34.36	-13.00	-21.36	H
3392.94	-33.02	12.78	11.57	-31.81	-13.00	-18.81	H
1696.66	-35.13	9.56	9.72	-35.29	-13.00	-22.29	V
2544.79	-34.55	10.50	10.86	-34.91	-13.00	-21.91	V
3392.94	-32.17	12.78	11.57	-30.96	-13.00	-17.96	V



LTE Band 26(Part 22) / 3MHz / QPSK / RB Size 1 Offset 0/ The Worst Test Results for Lowest							
Frequency(MHz)	S G.Lev (dBm)	Ant(dBi)	Loss	PMea	Limit	Margin	Polarity
				(dBm)	(dBm)	(dBm)	
1651.42	-34.43	9.56	9.72	-34.59	-13.00	-21.59	H
2476.37	-34.53	10.50	10.86	-34.89	-13.00	-21.89	H
3301.70	-33.13	12.78	11.57	-31.92	-13.00	-18.92	H
1651.42	-34.97	9.56	9.72	-35.13	-13.00	-22.13	V
2476.37	-34.39	10.50	10.86	-34.75	-13.00	-21.75	V
3301.70	-32.47	12.78	11.57	-31.26	-13.00	-18.26	V
LTE Band 26(Part 22) / 3MHz / QPSK / RB Size 1 Offset 0/ The Worst Test Results for Middle							
Frequency(MHz)	S G.Lev (dBm)	Ant(dBi)	Loss	PMea	Limit	Margin	Polarity
				(dBm)	(dBm)	(dBm)	
1673.17	-33.81	9.56	9.72	-33.97	-13.00	-20.97	H
2509.09	-34.57	10.50	10.86	-34.93	-13.00	-21.93	H
3346.05	-33.22	12.78	11.57	-32.01	-13.00	-19.01	H
1673.17	-35.69	9.56	9.72	-35.85	-13.00	-22.85	V
2509.09	-34.50	10.50	10.86	-34.86	-13.00	-21.86	V
3346.05	-32.16	12.78	11.57	-30.95	-13.00	-17.95	V
LTE Band 26(Part 22) / 3MHz / QPSK / RB Size 1 Offset 0/ The Worst Test Results for Highest							
Frequency(MHz)	S G.Lev (dBm)	Ant(dBi)	Loss	PMea	Limit	Margin	Polarity
				(dBm)	(dBm)	(dBm)	
1695.80	-34.14	9.56	9.72	-34.30	-13.00	-21.30	H
2542.31	-35.33	10.50	10.86	-35.69	-13.00	-22.69	H
3389.99	-32.23	12.78	11.57	-31.02	-13.00	-18.02	H
1695.80	-34.91	9.56	9.72	-35.07	-13.00	-22.07	V
2542.31	-35.09	10.50	10.86	-35.45	-13.00	-22.45	V
3389.99	-31.92	12.78	11.57	-30.71	-13.00	-17.71	V



LTE Band 26(Part 22) / 5MHz / QPSK / RB Size 1 Offset 0/ The Worst Test Results for Lowest							
Frequency(MHz)	S G.Lev (dBm)	Ant(dBi)	Loss	PMea	Limit	Margin	Polarity
				(dBm)	(dBm)	(dBm)	
1652.84	-34.12	9.56	9.72	-34.28	-13.00	-21.28	H
2479.53	-35.11	10.50	10.86	-35.47	-13.00	-22.47	H
3306.48	-32.91	12.78	11.57	-31.70	-13.00	-18.70	H
1652.84	-35.27	9.56	9.72	-35.43	-13.00	-22.43	V
2479.53	-34.66	10.50	10.86	-35.02	-13.00	-22.02	V
3306.48	-32.80	12.78	11.57	-31.59	-13.00	-18.59	V
LTE Band 26(Part 22) / 5MHz / QPSK / RB Size 1 Offset 0/ The Worst Test Results for Middle							
Frequency(MHz)	S G.Lev (dBm)	Ant(dBi)	Loss	PMea	Limit	Margin	Polarity
				(dBm)	(dBm)	(dBm)	
1672.78	-33.46	9.56	9.72	-33.62	-13.00	-20.62	H
2508.93	-34.29	10.50	10.86	-34.65	-13.00	-21.65	H
3346.02	-32.94	12.78	11.57	-31.73	-13.00	-18.73	H
1672.78	-34.74	9.56	9.72	-34.90	-13.00	-21.90	V
2508.93	-34.98	10.50	10.86	-35.34	-13.00	-22.34	V
3346.02	-32.66	12.78	11.57	-31.45	-13.00	-18.45	V
LTE Band 26(Part 22) / 5MHz / QPSK / RB Size 1 Offset 0/ The Worst Test Results for Highest							
Frequency(MHz)	S G.Lev (dBm)	Ant(dBi)	Loss	PMea	Limit	Margin	Polarity
				(dBm)	(dBm)	(dBm)	
1693.42	-34.01	9.56	9.72	-34.17	-13.00	-21.17	H
2539.36	-34.29	10.50	10.86	-34.65	-13.00	-21.65	H
3386.00	-33.41	12.78	11.57	-32.20	-13.00	-19.20	H
1693.42	-34.86	9.56	9.72	-35.02	-13.00	-22.02	V
2539.36	-34.40	10.50	10.86	-34.76	-13.00	-21.76	V
3386.00	-32.26	12.78	11.57	-31.05	-13.00	-18.05	V



LTE Band 26(Part 22) / 10MHz / QPSK / RB Size 1 Offset 0/ The Worst Test Results for Lowest							
Frequency(MHz)	S G.Lev (dBm)	Ant(dBi)	Loss	PMea	Limit	Margin	Polarity
				(dBm)	(dBm)	(dBm)	
1657.79	-34.67	9.56	9.72	-34.83	-13.00	-21.83	H
2486.24	-35.48	10.50	10.86	-35.84	-13.00	-22.84	H
3315.91	-32.96	12.78	11.57	-31.75	-13.00	-18.75	H
1657.79	-34.71	9.56	9.72	-34.87	-13.00	-21.87	V
2486.24	-34.47	10.50	10.86	-34.83	-13.00	-21.83	V
3315.91	-31.72	12.78	11.57	-30.51	-13.00	-17.51	V
LTE Band 26(Part 22) / 10MHz / QPSK / RB Size 1 Offset 0/ The Worst Test Results for Middle							
Frequency(MHz)	S G.Lev (dBm)	Ant(dBi)	Loss	PMea	Limit	Margin	Polarity
				(dBm)	(dBm)	(dBm)	
1672.94	-34.41	9.56	9.72	-34.57	-13.00	-21.57	H
2508.81	-34.10	10.50	10.86	-34.46	-13.00	-21.46	H
3346.04	-32.96	12.78	11.57	-31.75	-13.00	-18.75	H
1672.94	-35.89	9.56	9.72	-36.05	-13.00	-23.05	V
2508.81	-34.42	10.50	10.86	-34.78	-13.00	-21.78	V
3346.04	-31.95	12.78	11.57	-30.74	-13.00	-17.74	V
LTE Band 26(Part 22) / 10MHz / QPSK / RB Size 1 Offset 0/ The Worst Test Results for Highest							
Frequency(MHz)	S G.Lev (dBm)	Ant(dBi)	Loss	PMea	Limit	Margin	Polarity
				(dBm)	(dBm)	(dBm)	
1688.78	-33.47	9.56	9.72	-33.63	-13.00	-20.63	H
2532.49	-34.46	10.50	10.86	-34.82	-13.00	-21.82	H
3376.32	-33.43	12.78	11.57	-32.22	-13.00	-19.22	H
1688.78	-34.96	9.56	9.72	-35.12	-13.00	-22.12	V
2532.49	-33.99	10.50	10.86	-34.35	-13.00	-21.35	V
3376.32	-32.19	12.78	11.57	-30.98	-13.00	-17.98	V



LTE Band 26(Part 22) / 15MHz / QPSK / RB Size 1 Offset 0/ The Worst Test Results for Lowest							
Frequency(MHz)	S G.Lev (dBm)	Ant(dBi)	Loss	PMea	Limit	Margin	Polarity
				(dBm)	(dBm)	(dBm)	
1663.11	-33.62	9.56	9.72	-33.78	-13.00	-20.78	H
2494.50	-34.70	10.50	10.86	-35.06	-13.00	-22.06	H
3325.94	-32.23	12.78	11.57	-31.02	-13.00	-18.02	H
1663.11	-35.52	9.56	9.72	-35.68	-13.00	-22.68	V
2494.50	-34.09	10.50	10.86	-34.45	-13.00	-21.45	V
3325.94	-33.15	12.78	11.57	-31.94	-13.00	-18.94	V
LTE Band 26(Part 22) / 5MHz / QPSK / RB Size 1 Offset 0/ The Worst Test Results for Middle							
Frequency(MHz)	S G.Lev (dBm)	Ant(dBi)	Loss	PMea	Limit	Margin	Polarity
				(dBm)	(dBm)	(dBm)	
1673.14	-34.67	9.56	9.72	-34.83	-13.00	-21.83	H
2509.14	-35.34	10.50	10.86	-35.70	-13.00	-22.70	H
3345.98	-33.25	12.78	11.57	-32.04	-13.00	-19.04	H
1673.14	-35.11	9.56	9.72	-35.27	-13.00	-22.27	V
2509.14	-34.46	10.50	10.86	-34.82	-13.00	-21.82	V
3345.98	-31.75	12.78	11.57	-30.54	-13.00	-17.54	V
LTE Band 26(Part 22) / 5MHz / QPSK / RB Size 1 Offset 0/ The Worst Test Results for Highest							
Frequency(MHz)	S G.Lev (dBm)	Ant(dBi)	Loss	PMea	Limit	Margin	Polarity
				(dBm)	(dBm)	(dBm)	
1683.52	-33.65	9.56	9.72	-33.81	-13.00	-20.81	H
2524.41	-35.49	10.50	10.86	-35.85	-13.00	-22.85	H
3366.32	-33.43	12.78	11.57	-32.22	-13.00	-19.22	H
1683.52	-35.83	9.56	9.72	-35.99	-13.00	-22.99	V
2524.41	-35.08	10.50	10.86	-35.44	-13.00	-22.44	V
3366.32	-32.82	12.78	11.57	-31.61	-13.00	-18.61	V



LTE Band 26(Part 90) / 1.4MHz / QPSK / RB Size 1 Offset 0/ The Worst Test Results for Lowest							
Frequency(MHz)	S G.Lev (dBm)	Ant(dBi)	Loss	PMea	Limit	Margin	Polarity
				(dBm)	(dBm)	(dBm)	
1629.48	-33.51	9.56	9.72	-33.67	-13.00	-20.67	H
2443.85	-34.45	10.50	10.86	-34.81	-13.00	-21.81	H
3258.86	-33.10	12.78	11.57	-31.89	-13.00	-18.89	H
1629.48	-35.35	9.56	9.72	-35.51	-13.00	-22.51	V
2443.85	-34.80	10.50	10.86	-35.16	-13.00	-22.16	V
3258.86	-33.09	12.78	11.57	-31.88	-13.00	-18.88	V
LTE Band 26(Part 90) / 1.4MHz / QPSK / RB Size 1 Offset 0/ The Worst Test Results for Middle							
Frequency(MHz)	S G.Lev (dBm)	Ant(dBi)	Loss	PMea	Limit	Margin	Polarity
				(dBm)	(dBm)	(dBm)	
1638.08	-34.85	9.56	9.72	-35.01	-13.00	-22.01	H
2456.92	-35.08	10.50	10.86	-35.44	-13.00	-22.44	H
3276.03	-33.63	12.78	11.57	-32.42	-13.00	-19.42	H
1638.08	-35.68	9.56	9.72	-35.84	-13.00	-22.84	V
2456.92	-35.17	10.50	10.86	-35.53	-13.00	-22.53	V
3276.03	-32.39	12.78	11.57	-31.18	-13.00	-18.18	V
LTE Band 26(Part 90) / 1.4MHz / QPSK / RB Size 1 Offset 0/ The Worst Test Results for Highest							
Frequency(MHz)	S G.Lev (dBm)	Ant(dBi)	Loss	PMea	Limit	Margin	Polarity
				(dBm)	(dBm)	(dBm)	
1646.66	-34.05	9.56	9.72	-34.21	-13.00	-21.21	H
2456.78	-34.10	10.50	10.86	-34.46	-13.00	-21.46	H
3258.03	-32.61	12.78	11.57	-31.40	-13.00	-18.40	H
1646.66	-35.38	9.56	9.72	-35.54	-13.00	-22.54	V
2456.78	-34.04	10.50	10.86	-34.40	-13.00	-21.40	V
3258.03	-32.37	12.78	11.57	-31.16	-13.00	-18.16	V



LTE Band 26(Part 90) / 3MHz / QPSK / RB Size 1 Offset 0/ The Worst Test Results for Lowest							
Frequency(MHz)	S G.Lev (dBm)	Ant(dBi)	Loss	PMea	Limit	Margin	Polarity
				(dBm)	(dBm)	(dBm)	
1631.30	-34.09	9.56	9.72	-34.25	-13.00	-21.25	H
2446.23	-35.39	10.50	10.86	-35.75	-13.00	-22.75	H
3261.90	-32.57	12.78	11.57	-31.36	-13.00	-18.36	H
1631.30	-35.08	9.56	9.72	-35.24	-13.00	-22.24	V
2446.23	-34.37	10.50	10.86	-34.73	-13.00	-21.73	V
3261.90	-31.73	12.78	11.57	-30.52	-13.00	-17.52	V
LTE Band 26(Part 90) / 3MHz / QPSK / RB Size 1 Offset 0/ The Worst Test Results for Middle							
Frequency(MHz)	S G.Lev (dBm)	Ant(dBi)	Loss	PMea	Limit	Margin	Polarity
				(dBm)	(dBm)	(dBm)	
1637.83	-33.98	9.56	9.72	-34.14	-13.00	-21.14	H
2457.21	-34.67	10.50	10.86	-35.03	-13.00	-22.03	H
3275.93	-32.91	12.78	11.57	-31.70	-13.00	-18.70	H
1637.83	-34.84	9.56	9.72	-35.00	-13.00	-22.00	V
2457.21	-34.93	10.50	10.86	-35.29	-13.00	-22.29	V
3275.93	-32.63	12.78	11.57	-31.42	-13.00	-18.42	V
LTE Band 26(Part 90) / 3MHz / QPSK / RB Size 1 Offset 0/ The Worst Test Results for Highest							
Frequency(MHz)	S G.Lev (dBm)	Ant(dBi)	Loss	PMea	Limit	Margin	Polarity
				(dBm)	(dBm)	(dBm)	
1644.64	-33.74	9.56	9.72	-33.90	-13.00	-20.90	H
2467.18	-34.39	10.50	10.86	-34.75	-13.00	-21.75	H
3275.87	-32.38	12.78	11.57	-31.17	-13.00	-18.17	H
1644.64	-35.02	9.56	9.72	-35.18	-13.00	-22.18	V
2467.18	-34.72	10.50	10.86	-35.08	-13.00	-22.08	V
3275.87	-33.06	12.78	11.57	-31.85	-13.00	-18.85	V



LTE Band 26(Part 90) / 5MHz / QPSK / RB Size 1 Offset 0/ The Worst Test Results for Lowest							
Frequency(MHz)	S G.Lev (dBm)	Ant(dBi)	Loss	PMea	Limit	Margin	Polarity
				(dBm)	(dBm)	(dBm)	
1632.77	-34.31	9.56	9.72	-34.47	-13.00	-21.47	H
2449.35	-35.33	10.50	10.86	-35.69	-13.00	-22.69	H
3266.77	-32.34	12.78	11.57	-31.13	-13.00	-18.13	H
1632.77	-34.60	9.56	9.72	-34.76	-13.00	-21.76	V
2449.35	-34.43	10.50	10.86	-34.79	-13.00	-21.79	V
3266.77	-32.12	12.78	11.57	-30.91	-13.00	-17.91	V

LTE Band 26(Part 90) / 5MHz / QPSK / RB Size 1 Offset 0/ The Worst Test Results for Middle							
Frequency(MHz)	S G.Lev (dBm)	Ant(dBi)	Loss	PMea	Limit	Margin	Polarity
				(dBm)	(dBm)	(dBm)	
1637.91	-33.65	9.56	9.72	-33.81	-13.00	-20.81	H
2456.83	-35.20	10.50	10.86	-35.56	-13.00	-22.56	H
3276.18	-32.49	12.78	11.57	-31.28	-13.00	-18.28	H
1637.91	-34.74	9.56	9.72	-34.90	-13.00	-21.90	V
2456.83	-34.61	10.50	10.86	-34.97	-13.00	-21.97	V
3276.18	-32.78	12.78	11.57	-31.57	-13.00	-18.57	V

LTE Band 26(Part 90) / 5MHz / QPSK / RB Size 1 Offset 0/ The Worst Test Results for Highest							
Frequency(MHz)	S G.Lev (dBm)	Ant(dBi)	Loss	PMea	Limit	Margin	Polarity
				(dBm)	(dBm)	(dBm)	
1642.80	-34.17	9.56	9.72	-34.33	-13.00	-21.33	H
2464.04	-35.18	10.50	10.86	-35.54	-13.00	-22.54	H
3286.29	-32.39	12.78	11.57	-31.18	-13.00	-18.18	H
1642.80	-34.77	9.56	9.72	-34.93	-13.00	-21.93	V
2464.04	-34.33	10.50	10.86	-34.69	-13.00	-21.69	V
3286.29	-32.46	12.78	11.57	-31.25	-13.00	-18.25	V

LTE Band 26(Part 90) / 10MHz / QPSK / RB Size 1 Offset 0/ The Worst Test Results for Middle							
Frequency(MHz)	S G.Lev (dBm)	Ant(dBi)	Loss	PMea	Limit	Margin	Polarity
				(dBm)	(dBm)	(dBm)	
1638.03	-33.94	9.56	9.72	-34.10	-13.00	-21.10	H
2457.04	-34.04	10.50	10.86	-34.40	-13.00	-21.40	H
3275.95	-32.69	12.78	11.57	-31.48	-13.00	-18.48	H
1638.03	-35.15	9.56	9.72	-35.31	-13.00	-22.31	V
2457.04	-34.64	10.50	10.86	-35.00	-13.00	-22.00	V
3275.95	-32.33	12.78	11.57	-31.12	-13.00	-18.12	V



LTE Band 41 / 5MHz / QPSK / RB Size 1 Offset 0/ The Worst Test Results for Lowest							
Frequency(MHz)	S G.Lev (dBm)	Ant(dBi)	Loss	PMea	Limit	Margin	Polarity
				(dBm)	(dBm)	(dBm)	
4997.04	-33.77	12.66	15.86	-36.97	-25.00	-11.97	H
7495.78	-35.07	11.46	19.28	-42.89	-25.00	-17.89	H
9994.34	-32.74	12.79	23.19	-43.14	-25.00	-18.14	H
4997.15	-35.72	12.66	15.86	-38.92	-25.00	-13.92	V
7495.89	-33.85	11.46	19.28	-41.67	-25.00	-16.67	V
9994.41	-33.11	12.79	23.19	-43.51	-25.00	-18.51	V
LTE Band 41 / 5MHz / QPSK / RB Size 1 Offset 0/ The Worst Test Results for Middle							
Frequency(MHz)	S G.Lev (dBm)	Ant(dBi)	Loss	PMea	Limit	Margin	Polarity
				(dBm)	(dBm)	(dBm)	
5186.26	-34.28	12.72	15.86	-37.42	-25.00	-12.42	H
7779.16	-34.84	11.46	19.28	-42.66	-25.00	-17.66	H
10372.16	-32.84	12.09	23.19	-43.94	-25.00	-18.94	H
5186.26	-35.33	12.72	15.86	-38.47	-25.00	-13.47	V
7779.16	-34.71	11.46	19.28	-42.53	-25.00	-17.53	V
10372.16	-33.04	12.09	23.19	-44.14	-25.00	-19.14	V
LTE Band 41 / 5MHz / QPSK / RB Size 1 Offset 0/ The Worst Test Results for Highest							
Frequency(MHz)	S G.Lev (dBm)	Ant(dBi)	Loss	PMea	Limit	Margin	Polarity
				(dBm)	(dBm)	(dBm)	
5375.18	-34.43	12.76	15.86	-37.53	-25.00	-12.53	H
8062.43	-34.26	11.45	19.28	-42.09	-25.00	-17.09	H
10750.25	-33.33	12.28	23.19	-44.24	-25.00	-19.24	H
5375.18	-34.77	12.76	15.86	-37.87	-25.00	-12.87	V
8062.43	-34.07	11.45	19.28	-41.90	-25.00	-16.90	V
10750.25	-31.71	12.28	23.19	-42.62	-25.00	-17.62	V



LTE Band 41 / 10MHz / QPSK / RB Size 1 Offset 0/ The Worst Test Results for Lowest							
Frequency(MHz)	S G.Lev (dBm)	Ant(dBi)	Loss	PMea	Limit	Margin	Polarity
				(dBm)	(dBm)	(dBm)	
5002.42	-34.45	12.66	15.86	-37.65	-25.00	-12.65	H
7503.01	-35.35	11.46	19.28	-43.17	-25.00	-18.17	H
10004.08	-32.28	12.79	23.19	-42.68	-25.00	-17.68	H
5002.42	-35.69	12.66	15.86	-38.89	-25.00	-13.89	V
7503.01	-35.04	11.46	19.28	-42.86	-25.00	-17.86	V
10004.08	-32.13	12.79	23.19	-42.53	-25.00	-17.53	V
LTE Band 41 / 10MHz / QPSK / RB Size 1 Offset 0/ The Worst Test Results for Middle							
Frequency(MHz)	S G.Lev (dBm)	Ant(dBi)	Loss	PMea	Limit	Margin	Polarity
				(dBm)	(dBm)	(dBm)	
5186.55	-33.47	12.72	15.86	-36.61	-25.00	-11.61	H
7779.79	-35.25	11.46	19.28	-43.07	-25.00	-18.07	H
10371.19	-32.68	12.09	23.19	-43.78	-25.00	-18.78	H
5186.55	-35.44	12.72	15.86	-38.58	-25.00	-13.58	V
7779.79	-34.65	11.46	19.28	-42.47	-25.00	-17.47	V
10371.19	-32.76	12.09	23.19	-43.86	-25.00	-18.86	V
LTE Band 41 / 10MHz / QPSK / RB Size 1 Offset 0/ The Worst Test Results for Highest							
Frequency(MHz)	S G.Lev (dBm)	Ant(dBi)	Loss	PMea	Limit	Margin	Polarity
				(dBm)	(dBm)	(dBm)	
5370.16	-34.91	12.76	15.86	-38.01	-25.00	-13.01	H
8055.72	-34.13	11.45	19.28	-41.96	-25.00	-16.96	H
10740.20	-33.54	12.28	23.19	-44.45	-25.00	-19.45	H
5370.16	-34.79	12.76	15.86	-37.89	-25.00	-12.89	V
8055.72	-34.22	11.45	19.28	-42.05	-25.00	-17.05	V
10740.20	-31.96	12.28	23.19	-42.87	-25.00	-17.87	V



LTE Band 41 / 15MHz / QPSK / RB Size 1 Offset 0/ The Worst Test Results for Lowest							
Frequency(MHz)	S G.Lev (dBm)	Ant(dBi)	Loss	PMea	Limit	Margin	Polarity
				(dBm)	(dBm)	(dBm)	
5006.81	-33.69	12.66	15.86	-36.89	-25.00	-11.89	H
7510.28	-35.46	11.46	19.28	-43.28	-25.00	-18.28	H
10014.68	-32.83	12.79	23.19	-43.23	-25.00	-18.23	H
5006.81	-35.33	12.66	15.86	-38.53	-25.00	-13.53	V
7510.28	-34.02	11.46	19.28	-41.84	-25.00	-16.84	V
10014.68	-31.98	12.79	23.19	-42.38	-25.00	-17.38	V
LTE Band 41 / 5MHz / QPSK / RB Size 1 Offset 0/ The Worst Test Results for Middle							
Frequency(MHz)	S G.Lev (dBm)	Ant(dBi)	Loss	PMea	Limit	Margin	Polarity
				(dBm)	(dBm)	(dBm)	
5185.88	-33.91	12.72	15.86	-37.05	-25.00	-12.05	H
7778.66	-34.85	11.46	19.28	-42.67	-25.00	-17.67	H
10372.26	-33.26	12.09	23.19	-44.36	-25.00	-19.36	H
5185.88	-34.53	12.72	15.86	-37.67	-25.00	-12.67	V
7778.66	-33.98	11.46	19.28	-41.80	-25.00	-16.80	V
10372.26	-32.09	12.09	23.19	-43.19	-25.00	-18.19	V
LTE Band 41 / 5MHz / QPSK / RB Size 1 Offset 0/ The Worst Test Results for Highest							
Frequency(MHz)	S G.Lev (dBm)	Ant(dBi)	Loss	PMea	Limit	Margin	Polarity
				(dBm)	(dBm)	(dBm)	
5365.63	-33.51	12.76	15.86	-36.61	-25.00	-11.61	H
8047.30	-34.73	11.45	19.28	-42.56	-25.00	-17.56	H
10730.31	-32.74	12.28	23.19	-43.65	-25.00	-18.65	H
5365.63	-35.10	12.76	15.86	-38.20	-25.00	-13.20	V
8047.30	-35.06	11.45	19.28	-42.89	-25.00	-17.89	V
10730.31	-32.58	12.28	23.19	-43.49	-25.00	-18.49	V



LTE Band 41 / 20MHz / QPSK / RB Size 1 Offset 0/ The Worst Test Results for Lowest							
Frequency(MHz)	S G.Lev (dBm)	Ant(dBi)	Loss	PMea	Limit	Margin	Polarity
				(dBm)	(dBm)	(dBm)	
5012.35	-34.66	12.66	15.86	-37.86	-25.00	-12.86	H
7518.23	-34.97	11.46	19.28	-42.79	-25.00	-17.79	H
10024.02	-32.70	12.79	23.19	-43.10	-25.00	-18.10	H
5012.35	-35.42	12.66	15.86	-38.62	-25.00	-13.62	V
7518.23	-33.96	11.46	19.28	-41.78	-25.00	-16.78	V
10024.02	-32.96	12.79	23.19	-43.36	-25.00	-18.36	V
LTE Band 41 / 20MHz / QPSK / RB Size 1 Offset 0/ The Worst Test Results for Middle							
Frequency(MHz)	S G.Lev (dBm)	Ant(dBi)	Loss	PMea	Limit	Margin	Polarity
				(dBm)	(dBm)	(dBm)	
5186.01	-33.87	12.72	15.86	-37.01	-25.00	-12.01	H
7778.94	-34.79	11.46	19.28	-42.61	-25.00	-17.61	H
10371.89	-32.26	12.09	23.19	-43.36	-25.00	-18.36	H
5186.01	-34.96	12.72	15.86	-38.10	-25.00	-13.10	V
7778.94	-34.61	11.46	19.28	-42.43	-25.00	-17.43	V
10371.89	-31.96	12.09	23.19	-43.06	-25.00	-18.06	V
LTE Band 41 / 20MHz / QPSK / RB Size 1 Offset 0/ The Worst Test Results for Highest							
Frequency(MHz)	S G.Lev (dBm)	Ant(dBi)	Loss	PMea	Limit	Margin	Polarity
				(dBm)	(dBm)	(dBm)	
5360.03	-34.72	12.76	15.86	-37.82	-25.00	-12.82	H
8040.02	-34.42	11.45	19.28	-42.25	-25.00	-17.25	H
10720.14	-33.51	12.28	23.19	-44.42	-25.00	-19.42	H
5360.03	-35.25	12.76	15.86	-38.35	-25.00	-13.35	V
8040.02	-34.74	11.45	19.28	-42.57	-25.00	-17.57	V
10720.14	-31.72	12.28	23.19	-42.63	-25.00	-17.63	V



LTE Band 66 / 1.4MHz / QPSK / RB Size 1 Offset 0/ The Worst Test Results for Lowest							
Frequency(MHz)	S G.Lev (dBm)	Ant(dBi)	Loss	PMea	Limit	Margin	Polarity
				(dBm)	(dBm)	(dBm)	
3421.25	-34.51	12.90	12.56	-34.17	-13.00	-21.17	H
5131.88	-34.76	13.10	16.32	-37.98	-13.00	-24.98	H
6842.43	-32.80	12.33	21.13	-41.60	-13.00	-28.60	H
3421.25	-35.92	12.90	12.56	-35.58	-13.00	-22.58	V
5131.88	-34.60	13.10	16.32	-37.82	-13.00	-24.82	V
6842.43	-32.12	12.33	21.13	-40.92	-13.00	-27.92	V
LTE Band 66 / 1.4MHz / QPSK / RB Size 1 Offset 0/ The Worst Test Results for Middle							
Frequency(MHz)	S G.Lev (dBm)	Ant(dBi)	Loss	PMea	Limit	Margin	Polarity
				(dBm)	(dBm)	(dBm)	
3489.84	-34.10	12.90	12.56	-33.76	-13.00	-20.76	H
5235.21	-34.15	13.10	16.32	-37.37	-13.00	-24.37	H
6980.06	-32.49	12.33	21.13	-41.29	-13.00	-28.29	H
3489.84	-34.64	12.90	12.56	-34.30	-13.00	-21.30	V
5235.21	-35.23	13.10	16.32	-38.45	-13.00	-25.45	V
6980.06	-32.94	12.33	21.13	-41.74	-13.00	-28.74	V
LTE Band 66 / 1.4MHz / QPSK / RB Size 1 Offset 0/ The Worst Test Results for Highest							
Frequency(MHz)	S G.Lev (dBm)	Ant(dBi)	Loss	PMea	Limit	Margin	Polarity
				(dBm)	(dBm)	(dBm)	
3558.16	-33.92	12.90	12.56	-33.58	-13.00	-20.58	H
5336.99	-34.67	13.10	16.32	-37.89	-13.00	-24.89	H
7117.13	-32.88	12.33	21.13	-41.68	-13.00	-28.68	H
3558.16	-35.50	12.90	12.56	-35.16	-13.00	-22.16	V
5336.99	-35.17	13.10	16.32	-38.39	-13.00	-25.39	V
7117.13	-32.07	12.33	21.13	-40.87	-13.00	-27.87	V



LTE Band 66 / 3MHz / QPSK / RB Size 1 Offset 0/ The Worst Test Results for Lowest							
Frequency(MHz)	S G.Lev (dBm)	Ant(dBi)	Loss	PMea	Limit	Margin	Polarity
				(dBm)	(dBm)	(dBm)	
3422.89	-34.70	12.90	12.56	-34.36	-13.00	-21.36	H
5134.42	-34.04	13.10	16.32	-37.26	-13.00	-24.26	H
6846.02	-33.62	12.33	21.13	-42.42	-13.00	-29.42	H
3422.89	-34.70	12.90	12.56	-34.36	-13.00	-21.36	V
5134.42	-34.39	13.10	16.32	-37.61	-13.00	-24.61	V
6846.02	-32.32	12.33	21.13	-41.12	-13.00	-28.12	V
LTE Band 66 / 3MHz / QPSK / RB Size 1 Offset 0/ The Worst Test Results for Middle							
Frequency(MHz)	S G.Lev (dBm)	Ant(dBi)	Loss	PMea	Limit	Margin	Polarity
				(dBm)	(dBm)	(dBm)	
3489.96	-33.57	12.90	12.56	-33.23	-13.00	-20.23	H
5235.14	-35.06	13.10	16.32	-38.28	-13.00	-25.28	H
6980.06	-32.38	12.33	21.13	-41.18	-13.00	-28.18	H
3489.96	-35.89	12.90	12.56	-35.55	-13.00	-22.55	V
5235.14	-34.81	13.10	16.32	-38.03	-13.00	-25.03	V
6980.06	-32.16	12.33	21.13	-40.96	-13.00	-27.96	V
LTE Band 66 / 3MHz / QPSK / RB Size 1 Offset 0/ The Worst Test Results for Highest							
Frequency(MHz)	S G.Lev (dBm)	Ant(dBi)	Loss	PMea	Limit	Margin	Polarity
				(dBm)	(dBm)	(dBm)	
3556.83	-34.29	12.90	12.56	-33.95	-13.00	-20.95	H
5262.36	-34.62	13.10	16.32	-37.84	-13.00	-24.84	H
7114.16	-32.59	12.33	21.13	-41.39	-13.00	-28.39	H
3556.83	-34.62	12.90	12.56	-34.28	-13.00	-21.28	V
5262.36	-34.51	13.10	16.32	-37.73	-13.00	-24.73	V
7114.16	-33.17	12.33	21.13	-41.97	-13.00	-28.97	V



LTE Band 66 / 5MHz / QPSK / RB Size 1 Offset 0/ The Worst Test Results for Lowest							
Frequency(MHz)	S G.Lev (dBm)	Ant(dBi)	Loss	PMea	Limit	Margin	Polarity
				(dBm)	(dBm)	(dBm)	
3425.48	-33.98	12.90	12.56	-33.64	-13.00	-20.64	H
5137.29	-35.24	13.10	16.32	-38.46	-13.00	-25.46	H
6850.04	-33.30	12.33	21.13	-42.10	-13.00	-29.10	H
3425.48	-34.61	12.90	12.56	-34.27	-13.00	-21.27	V
5137.29	-33.98	13.10	16.32	-37.20	-13.00	-24.20	V
6850.04	-32.53	12.33	21.13	-41.33	-13.00	-28.33	V
LTE Band 66 / 5MHz / QPSK / RB Size 1 Offset 0/ The Worst Test Results for Middle							
Frequency(MHz)	S G.Lev (dBm)	Ant(dBi)	Loss	PMea	Limit	Margin	Polarity
				(dBm)	(dBm)	(dBm)	
3490.25	-34.17	12.90	12.56	-33.83	-13.00	-20.83	H
5235.29	-34.35	13.10	16.32	-37.57	-13.00	-24.57	H
6980.08	-32.97	12.33	21.13	-41.77	-13.00	-28.77	H
3490.25	-35.21	12.90	12.56	-34.87	-13.00	-21.87	V
5235.29	-33.92	13.10	16.32	-37.14	-13.00	-24.14	V
6980.08	-32.57	12.33	21.13	-41.37	-13.00	-28.37	V
LTE Band 66 / 5MHz / QPSK / RB Size 1 Offset 0/ The Worst Test Results for Highest							
Frequency(MHz)	S G.Lev (dBm)	Ant(dBi)	Loss	PMea	Limit	Margin	Polarity
				(dBm)	(dBm)	(dBm)	
3558.13	-33.73	12.90	12.56	-33.39	-13.00	-20.39	H
52354.09	-34.02	13.10	16.32	-37.24	-13.00	-24.24	H
7109.88	-32.16	12.33	21.13	-40.96	-13.00	-27.96	H
3558.13	-34.88	12.90	12.56	-34.54	-13.00	-21.54	V
52354.09	-34.84	13.10	16.32	-38.06	-13.00	-25.06	V
7109.88	-32.79	12.33	21.13	-41.59	-13.00	-28.59	V



LTE Band 66 / 10MHz / QPSK / RB Size 1 Offset 0/ The Worst Test Results for Lowest							
Frequency(MHz)	S G.Lev (dBm)	Ant(dBi)	Loss	PMea	Limit	Margin	Polarity
				(dBm)	(dBm)	(dBm)	
3430.28	-33.87	12.90	12.56	-33.53	-13.00	-20.53	H
5145.27	-34.14	13.10	16.32	-37.36	-13.00	-24.36	H
6880.12	-32.52	12.33	21.13	-41.32	-13.00	-28.32	H
3430.28	-34.84	12.90	12.56	-34.50	-13.00	-21.50	V
5145.27	-33.95	13.10	16.32	-37.17	-13.00	-24.17	V
6880.12	-32.77	12.33	21.13	-41.57	-13.00	-28.57	V
LTE Band 66 / 10MHz / QPSK / RB Size 1 Offset 0/ The Worst Test Results for Middle							
Frequency(MHz)	S G.Lev (dBm)	Ant(dBi)	Loss	PMea	Limit	Margin	Polarity
				(dBm)	(dBm)	(dBm)	
3489.84	-33.66	12.90	12.56	-33.32	-13.00	-20.32	H
5235.01	-35.20	13.10	16.32	-38.42	-13.00	-25.42	H
6979.96	-33.01	12.33	21.13	-41.81	-13.00	-28.81	H
3489.84	-34.66	12.90	12.56	-34.32	-13.00	-21.32	V
5235.01	-35.18	13.10	16.32	-38.40	-13.00	-25.40	V
6979.96	-32.86	12.33	21.13	-41.66	-13.00	-28.66	V
LTE Band 66 / 10MHz / QPSK / RB Size 1 Offset 0/ The Worst Test Results for Highest							
Frequency(MHz)	S G.Lev (dBm)	Ant(dBi)	Loss	PMea	Limit	Margin	Polarity
				(dBm)	(dBm)	(dBm)	
3550.33	-33.66	12.90	12.56	-33.32	-13.00	-20.32	H
5235.44	-34.32	13.10	16.32	-37.54	-13.00	-24.54	H
7100.22	-33.21	12.33	21.13	-42.01	-13.00	-29.01	H
3550.33	-35.31	12.90	12.56	-34.97	-13.00	-21.97	V
5235.44	-34.20	13.10	16.32	-37.42	-13.00	-24.42	V
7100.22	-32.52	12.33	21.13	-41.32	-13.00	-28.32	V



LTE Band 66 / 15MHz / QPSK / RB Size 1 Offset 0/ The Worst Test Results for Lowest							
Frequency(MHz)	S G.Lev (dBm)	Ant(dBi)	Loss	PMea	Limit	Margin	Polarity
				(dBm)	(dBm)	(dBm)	
3434.98	-33.88	12.90	12.56	-33.54	-13.00	-20.54	H
5152.28	-34.36	13.10	16.32	-37.58	-13.00	-24.58	H
6870.16	-33.60	12.33	21.13	-42.40	-13.00	-29.40	H
3434.98	-35.67	12.90	12.56	-35.33	-13.00	-22.33	V
5152.28	-34.53	13.10	16.32	-37.75	-13.00	-24.75	V
6870.16	-32.66	12.33	21.13	-41.46	-13.00	-28.46	V
LTE Band 66 / 5MHz / QPSK / RB Size 1 Offset 0/ The Worst Test Results for Middle							
Frequency(MHz)	S G.Lev (dBm)	Ant(dBi)	Loss	PMea	Limit	Margin	Polarity
				(dBm)	(dBm)	(dBm)	
3490.04	-34.05	12.90	12.56	-33.71	-13.00	-20.71	H
5235.10	-34.09	13.10	16.32	-37.31	-13.00	-24.31	H
6980.13	-33.28	12.33	21.13	-42.08	-13.00	-29.08	H
3490.04	-35.57	12.90	12.56	-35.23	-13.00	-22.23	V
5235.10	-34.83	13.10	16.32	-38.05	-13.00	-25.05	V
6980.13	-32.94	12.33	21.13	-41.74	-13.00	-28.74	V
LTE Band 66 / 5MHz / QPSK / RB Size 1 Offset 0/ The Worst Test Results for Highest							
Frequency(MHz)	S G.Lev (dBm)	Ant(dBi)	Loss	PMea	Limit	Margin	Polarity
				(dBm)	(dBm)	(dBm)	
3545.09	-33.46	12.90	12.56	-33.12	-13.00	-20.12	H
5332.34	-34.10	13.10	16.32	-37.32	-13.00	-24.32	H
7090.18	-32.92	12.33	21.13	-41.72	-13.00	-28.72	H
3545.09	-35.04	12.90	12.56	-34.70	-13.00	-21.70	V
5332.34	-34.24	13.10	16.32	-37.46	-13.00	-24.46	V
7090.18	-32.18	12.33	21.13	-40.98	-13.00	-27.98	V



LTE Band 66 / 20MHz / QPSK / RB Size 1 Offset 0/ The Worst Test Results for Lowest							
Frequency(MHz)	S G.Lev (dBm)	Ant(dBi)	Loss	PMea	Limit	Margin	Polarity
				(dBm)	(dBm)	(dBm)	
3440.12	-33.52	12.90	12.56	-33.18	-13.00	-20.18	H
5160.21	-34.92	13.10	16.32	-38.14	-13.00	-25.14	H
6879.83	-32.37	12.33	21.13	-41.17	-13.00	-28.17	H
3440.12	-35.19	12.90	12.56	-34.85	-13.00	-21.85	V
5160.21	-35.12	13.10	16.32	-38.34	-13.00	-25.34	V
6879.83	-32.08	12.33	21.13	-40.88	-13.00	-27.88	V
LTE Band 66 / 20MHz / QPSK / RB Size 1 Offset 0/ The Worst Test Results for Middle							
Frequency(MHz)	S G.Lev (dBm)	Ant(dBi)	Loss	PMea	Limit	Margin	Polarity
				(dBm)	(dBm)	(dBm)	
3489.92	-33.96	12.90	12.56	-33.62	-13.00	-20.62	H
5234.97	-34.69	13.10	16.32	-37.91	-13.00	-24.91	H
6980.23	-32.25	12.33	21.13	-41.05	-13.00	-28.05	H
3489.92	-35.86	12.90	12.56	-35.52	-13.00	-22.52	V
5234.97	-34.57	13.10	16.32	-37.79	-13.00	-24.79	V
6980.23	-33.18	12.33	21.13	-41.98	-13.00	-28.98	V
LTE Band 66 / 20MHz / QPSK / RB Size 1 Offset 0/ The Worst Test Results for Highest							
Frequency(MHz)	S G.Lev (dBm)	Ant(dBi)	Loss	PMea	Limit	Margin	Polarity
				(dBm)	(dBm)	(dBm)	
3539.99	-34.90	12.90	12.56	-34.56	-13.00	-21.56	H
5309.96	-35.13	13.10	16.32	-38.35	-13.00	-25.35	H
7080.74	-33.31	12.33	21.13	-42.11	-13.00	-29.11	H
3539.99	-35.08	12.90	12.56	-34.74	-13.00	-21.74	V
5309.96	-34.31	13.10	16.32	-37.53	-13.00	-24.53	V
7080.74	-31.81	12.33	21.13	-40.61	-13.00	-27.61	V



LTE Band 71 / 5MHz / QPSK / RB Size 1 Offset 0/ The Worst Test Results for Lowest							
Frequency(MHz)	S G.Lev (dBm)	Ant(dBi)	Loss	PMea	Limit	Margin	Polarity
				(dBm)	(dBm)	(dBm)	
1331.05	-33.62	8.17	9.34	-34.79	-13.00	-21.79	H
1966.30	-34.18	9.53	10.42	-35.07	-13.00	-22.07	H
2662.04	-33.16	11.27	11.12	-33.01	-13.00	-20.01	H
1331.05	-34.78	8.17	9.34	-35.95	-13.00	-22.95	V
1966.30	-34.60	9.53	10.42	-35.49	-13.00	-22.49	V
2662.04	-33.08	11.27	11.12	-32.93	-13.00	-19.93	V
LTE Band 71 / 5MHz / QPSK / RB Size 1 Offset 0/ The Worst Test Results for Middle							
Frequency(MHz)	S G.Lev (dBm)	Ant(dBi)	Loss	PMea	Limit	Margin	Polarity
				(dBm)	(dBm)	(dBm)	
1360.87	-34.03	8.17	9.34	-35.20	-13.00	-22.20	H
2041.25	-34.89	9.53	10.42	-35.78	-13.00	-22.78	H
2721.75	-32.83	11.27	11.12	-32.68	-13.00	-19.68	H
1360.87	-35.37	8.17	9.34	-36.54	-13.00	-23.54	V
2041.25	-34.57	9.53	10.42	-35.46	-13.00	-22.46	V
2721.75	-32.48	11.27	11.12	-32.33	-13.00	-19.33	V
LTE Band 71 / 5MHz / QPSK / RB Size 1 Offset 0/ The Worst Test Results for Highest							
Frequency(MHz)	S G.Lev (dBm)	Ant(dBi)	Loss	PMea	Limit	Margin	Polarity
				(dBm)	(dBm)	(dBm)	
1390.99	-33.50	8.17	9.34	-34.67	-13.00	-21.67	H
2085.75	-34.28	9.53	10.42	-35.17	-13.00	-22.17	H
2781.90	-32.93	11.27	11.12	-32.78	-13.00	-19.78	H
1390.99	-34.94	8.17	9.34	-36.11	-13.00	-23.11	V
2085.75	-34.54	9.53	10.42	-35.43	-13.00	-22.43	V
2781.90	-33.08	11.27	11.12	-32.93	-13.00	-19.93	V



LTE Band 71 / 10MHz / QPSK / RB Size 1 Offset 0/ The Worst Test Results for Lowest							
Frequency(MHz)	S G.Lev (dBm)	Ant(dBi)	Loss	PMea	Limit	Margin	Polarity
				(dBm)	(dBm)	(dBm)	
1335.94	-33.71	8.17	9.34	-34.88	-13.00	-21.88	H
2004.00	-35.21	9.53	10.42	-36.10	-13.00	-23.10	H
2672.04	-33.19	11.27	11.12	-33.04	-13.00	-20.04	H
1335.94	-34.75	8.17	9.34	-35.92	-13.00	-22.92	V
2004.00	-34.95	9.53	10.42	-35.84	-13.00	-22.84	V
2672.04	-32.42	11.27	11.12	-32.27	-13.00	-19.27	V
LTE Band 71 / 10MHz / QPSK / RB Size 1 Offset 0/ The Worst Test Results for Middle							
Frequency(MHz)	S G.Lev (dBm)	Ant(dBi)	Loss	PMea	Limit	Margin	Polarity
				(dBm)	(dBm)	(dBm)	
1361.24	-34.83	8.17	9.34	-36.00	-13.00	-23.00	H
2041.25	-35.01	9.53	10.42	-35.90	-13.00	-22.90	H
2722.12	-33.42	11.27	11.12	-33.27	-13.00	-20.27	H
1361.24	-35.96	8.17	9.34	-37.13	-13.00	-24.13	V
2041.25	-34.83	9.53	10.42	-35.72	-13.00	-22.72	V
2722.12	-32.52	11.27	11.12	-32.37	-13.00	-19.37	V
LTE Band 71 / 10MHz / QPSK / RB Size 1 Offset 0/ The Worst Test Results for Highest							
Frequency(MHz)	S G.Lev (dBm)	Ant(dBi)	Loss	PMea	Limit	Margin	Polarity
				(dBm)	(dBm)	(dBm)	
1385.88	-34.43	8.17	9.34	-35.60	-13.00	-22.60	H
2078.92	-35.03	9.53	10.42	-35.92	-13.00	-22.92	H
2721.86	-32.56	11.27	11.12	-32.41	-13.00	-19.41	H
1385.88	-35.63	8.17	9.34	-36.80	-13.00	-23.80	V
2078.92	-34.78	9.53	10.42	-35.67	-13.00	-22.67	V
2721.86	-32.17	11.27	11.12	-32.02	-13.00	-19.02	V



LTE Band 71 / 15MHz / QPSK / RB Size 1 Offset 0/ The Worst Test Results for Lowest							
Frequency(MHz)	S G.Lev (dBm)	Ant(dBi)	Loss	PMea	Limit	Margin	Polarity
				(dBm)	(dBm)	(dBm)	
1340.99	-34.27	8.17	9.34	-35.44	-13.00	-22.44	H
2010.82	-35.44	9.53	10.42	-36.33	-13.00	-23.33	H
2681.96	-33.11	11.27	11.12	-32.96	-13.00	-19.96	H
1340.99	-34.62	8.17	9.34	-35.79	-13.00	-22.79	V
2010.82	-34.86	9.53	10.42	-35.75	-13.00	-22.75	V
2681.96	-31.95	11.27	11.12	-31.80	-13.00	-18.80	V
LTE Band 71 / 15MHz / QPSK / RB Size 1 Offset 0/ The Worst Test Results for Middle							
Frequency(MHz)	S G.Lev (dBm)	Ant(dBi)	Loss	PMea	Limit	Margin	Polarity
				(dBm)	(dBm)	(dBm)	
1361.11	-34.08	8.17	9.34	-35.25	-13.00	-22.25	H
2041.34	-34.60	9.53	10.42	-35.49	-13.00	-22.49	H
2722.01	-32.50	11.27	11.12	-32.35	-13.00	-19.35	H
1361.11	-35.68	8.17	9.34	-36.85	-13.00	-23.85	V
2041.34	-34.14	9.53	10.42	-35.03	-13.00	-22.03	V
2722.01	-32.59	11.27	11.12	-32.44	-13.00	-19.44	V
LTE Band 71 / 15MHz / QPSK / RB Size 1 Offset 0/ The Worst Test Results for Highest							
Frequency(MHz)	S G.Lev (dBm)	Ant(dBi)	Loss	PMea	Limit	Margin	Polarity
				(dBm)	(dBm)	(dBm)	
1380.81	-33.64	8.17	9.34	-34.81	-13.00	-21.81	H
2070.88	-34.24	9.53	10.42	-35.13	-13.00	-22.13	H
2761.73	-33.43	11.27	11.12	-33.28	-13.00	-20.28	H
1380.81	-35.14	8.17	9.34	-36.31	-13.00	-23.31	V
2070.88	-35.21	9.53	10.42	-36.10	-13.00	-23.10	V
2761.73	-32.84	11.27	11.12	-32.69	-13.00	-19.69	V



LTE Band 71 / 20MHz / QPSK / RB Size 1 Offset 0/ The Worst Test Results for Lowest							
Frequency(MHz)	S G.Lev (dBm)	Ant(dBi)	Loss	PMea	Limit	Margin	Polarity
				(dBm)	(dBm)	(dBm)	
1346.16	-33.51	8.17	9.34	-34.68	-13.00	-21.68	H
2019.08	-35.44	9.53	10.42	-36.33	-13.00	-23.33	H
2691.80	-32.29	11.27	11.12	-32.14	-13.00	-19.14	H
1346.16	-34.88	8.17	9.34	-36.05	-13.00	-23.05	V
2019.08	-34.40	9.53	10.42	-35.29	-13.00	-22.29	V
2691.80	-32.99	11.27	11.12	-32.84	-13.00	-19.84	V
LTE Band 71 / 20MHz / QPSK / RB Size 1 Offset 0/ The Worst Test Results for Middle							
Frequency(MHz)	S G.Lev (dBm)	Ant(dBi)	Loss	PMea	Limit	Margin	Polarity
				(dBm)	(dBm)	(dBm)	
1361.24	-34.80	8.17	9.34	-35.97	-13.00	-22.97	H
2041.46	-35.45	9.53	10.42	-36.34	-13.00	-23.34	H
2721.70	-33.50	11.27	11.12	-33.35	-13.00	-20.35	H
1361.24	-34.54	8.17	9.34	-35.71	-13.00	-22.71	V
2041.46	-33.80	9.53	10.42	-34.69	-13.00	-21.69	V
2721.70	-32.69	11.27	11.12	-32.54	-13.00	-19.54	V
LTE Band 71 / 20MHz / QPSK / RB Size 1 Offset 0/ The Worst Test Results for Highest							
Frequency(MHz)	S G.Lev (dBm)	Ant(dBi)	Loss	PMea	Limit	Margin	Polarity
				(dBm)	(dBm)	(dBm)	
1375.74	-34.31	8.17	9.34	-35.48	-13.00	-22.48	H
2063.71	-34.34	9.53	10.42	-35.23	-13.00	-22.23	H
2751.75	-32.29	11.27	11.12	-32.14	-13.00	-19.14	H
1375.74	-34.95	8.17	9.34	-36.12	-13.00	-23.12	V
2063.71	-33.84	9.53	10.42	-34.73	-13.00	-21.73	V
2751.75	-32.15	11.27	11.12	-32.00	-13.00	-19.00	V

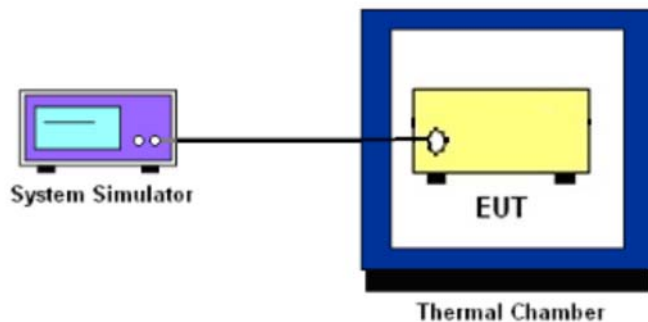
10. FREQUENCY STABILITY

10.1 DESCRIPTION OF FREQUENCY STABILITY MEASUREMENT

10.1.1 MEASUREMENT METHOD

The frequency stability shall be measured by variation of ambient temperature and variation of primary supply voltage to ensure that the fundamental emission stays within the authorized frequency block. The frequency stability of the transmitter shall be maintained within $\pm 0.00025\%$ ($\pm 2.5\text{ppm}$) of the center frequency.

10.1.2 TEST SETUP



10.1.3 TEST PROCEDURES FOR TEMPERATURE VARIATION

1. The EUT was set up in the thermal chamber and connected with the system simulator.
2. With power OFF, the temperature was decreased to -30°C and the EUT was stabilized before testing. Power was applied and the maximum change in frequency was recorded within one minute.
3. With power OFF, the temperature was raised in 10°C step up to 50°C . The EUT was stabilized at each step for at least half an hour. Power was applied and the maximum frequency change was recorded within one minute.

10.1.4 TEST PROCEDURES FOR VOLTAGE VARIATION

1. The testing follows FCC KDB 971168 D01v01r03 Section 9.
2. The EUT was placed in a temperature chamber at $25\pm 5^{\circ}\text{C}$ and connected with the system simulator.
3. The power supply voltage to the EUT was varied from 85% to 115% of the nominal value measured at the input to the EUT.
4. The variation in frequency was measured for the worst case.



10.1.5 TEST RESULTS

LTE Band 12 (QPSK) / 707.5MHz / BW5M					
Temperature (°C)	Voltage	Freq. Dev.	Freq. Dev.	Limit	Result
	(Volt)	(Hz)	(ppm)		
50	Normal Voltage	23.18	0.033	2.5ppm	PASS
40		31.42	0.044		
30		25.98	0.037		
20		24.35	0.034		
10		16.88	0.024		
0		13.89	0.020		
-10		22.15	0.003		
-20		18.22	0.026		
-30		28.98	0.041		
25	Maximum Voltage	26.87	0.038		
25	BEP	29.23	0.041		

LTE Band 12 (QPSK) / 707.5MHz / BW10M					
Temperature (°C)	Voltage	Freq. Dev.	Freq. Dev.	Limit	Result
	(Volt)	(Hz)	(ppm)		
50	Normal Voltage	35.36	0.050	2.5ppm	PASS
40		30.91	0.044		
30		12.80	0.018		
20		25.08	0.035		
10		27.59	0.039		
0		28.92	0.041		
-10		35.02	0.005		
-20		31.54	0.044		
-30		13.61	0.019		
25	Maximum Voltage	34.01	0.048		
25	BEP	29.69	0.042		



LTE Band 13 (QPSK) / 782MHz / BW5M					
Temperature (°C)	Voltage	Freq. Dev.	Freq. Dev.	Limit	Result
	(Volt)	(Hz)	(ppm)		
50	Normal Voltage	34.18	0.048	2.5ppm	PASS
40		15.72	0.022		
30		33.96	0.048		
20		28.74	0.040		
10		28.28	0.040		
0		17.29	0.024		
-10		34.80	0.005		
-20		23.22	0.033		
-30		27.58	0.039		
25		Maximum Voltage	25.53		
25	BEP	24.70	0.035		

LTE Band 13 (QPSK) / 782MHz / BW10M					
Temperature (°C)	Voltage	Freq. Dev.	Freq. Dev.	Limit	Result
	(Volt)	(Hz)	(ppm)		
50	Normal Voltage	33.09	0.047	2.5ppm	PASS
40		15.44	0.022		
30		15.11	0.021		
20		36.25	0.051		
10		21.30	0.030		
0		30.96	0.044		
-10		28.23	0.004		
-20		36.49	0.051		
-30		34.04	0.048		
25		Maximum Voltage	19.76		
25	BEP	24.15	0.034		



LTE Band 14 (QPSK) / 793MHz / BW5M					
Temperature (°C)	Voltage	Freq. Dev.	Freq. Dev.	Limit	Result
	(Volt)	(Hz)	(ppm)		
50	Normal Voltage	33.06	0.047	1ppm	PASS
40		28.43	0.040		
30		21.08	0.030		
20		17.59	0.025		
10		13.86	0.020		
0		17.43	0.025		
-10		27.73	0.004		
-20		29.49	0.042		
-30		32.88	0.046		
25		Maximum Voltage	26.82		
25	BEP	18.51	0.026		

LTE Band 14 (QPSK) / 793MHz / BW10M					
Temperature (°C)	Voltage	Freq. Dev.	Freq. Dev.	Limit	Result
	(Volt)	(Hz)	(ppm)		
50	Normal Voltage	28.10	0.040	1ppm	PASS
40		23.58	0.033		
30		27.80	0.039		
20		22.29	0.031		
10		27.85	0.039		
0		16.30	0.023		
-10		24.47	0.003		
-20		12.84	0.018		
-30		22.71	0.032		
25		Maximum Voltage	15.73		
25	BEP	11.97	0.017		



LTE Band 25 (QPSK) / 1880MHz / BW10M					
Temperature (°C)	Voltage	Freq. Dev.	Freq. Dev.	Limit	Result
	(Volt)	(Hz)	(ppm)		
50	Normal Voltage	13.36	0.007	2.5ppm	PASS
40		13.55	0.007		
30		17.02	0.009		
20		21.56	0.011		
10		26.40	0.014		
0		26.55	0.014		
-10		23.53	0.013		
-20		16.97	0.009		
-30		17.13	0.009		
25		Maximum Voltage	31.80		
25	BEP	26.27	0.014		

LTE Band 25 (QPSK) / 1880MHz / BW20M					
Temperature (°C)	Voltage	Freq. Dev.	Freq. Dev.	Limit	Result
	(Volt)	(Hz)	(ppm)		
50	Normal Voltage	22.89	0.012	2.5ppm	PASS
40		18.36	0.010		
30		31.93	0.017		
20		23.47	0.012		
10		21.10	0.011		
0		14.66	0.008		
-10		16.07	0.009		
-20		33.37	0.018		
-30		31.46	0.017		
25		Maximum Voltage	18.63		
25	BEP	22.44	0.012		



LTE Band 26(Part 22) (QPSK) / 836.5MHz / BW10M					
Temperature (°C)	Voltage	Freq. Dev.	Freq. Dev.	Limit	Result
	(Volt)	(Hz)	(ppm)		
50	Normal Voltage	22.05	0.013	2.5ppm	PASS
40		25.02	0.014		
30		20.13	0.012		
20		33.59	0.019		
10		33.60	0.019		
0		24.20	0.014		
-10		27.60	0.016		
-20		28.02	0.016		
-30		17.17	0.010		
25		Maximum Voltage	28.14		
25	BEP	11.99	0.007		

LTE Band 26(Part 22) (QPSK) / 836.5MHz / BW20M					
Temperature (°C)	Voltage	Freq. Dev.	Freq. Dev.	Limit	Result
	(Volt)	(Hz)	(ppm)		
50	Normal Voltage	23.86	0.014	2.5ppm	PASS
40		33.40	0.019		
30		31.21	0.018		
20		29.45	0.017		
10		14.97	0.009		
0		34.08	0.020		
-10		30.00	0.017		
-20		32.35	0.019		
-30		23.13	0.013		
25		Maximum Voltage	19.37		
25	BEP	34.21	0.020		



LTE Band 26(Part 90) (QPSK) / 819MHz / BW5M					
Temperature (°C)	Voltage	Freq. Dev.	Freq. Dev.	Limit	Result
	(Volt)	(Hz)	(ppm)		
50	Normal Voltage	31.35	0.018	2.5ppm	PASS
40		19.80	0.011		
30		32.66	0.019		
20		21.93	0.013		
10		27.44	0.016		
0		33.74	0.019		
-10		18.15	0.010		
-20		20.46	0.012		
-30		27.22	0.016		
25		Maximum Voltage	13.09		
25	BEP	28.71	0.017		

LTE Band 26(Part 90) (QPSK) / 819MHz / BW10M					
Temperature (°C)	Voltage	Freq. Dev.	Freq. Dev.	Limit	Result
	(Volt)	(Hz)	(ppm)		
50	Normal Voltage	19.45	0.011	2.5ppm	PASS
40		16.16	0.009		
30		28.02	0.016		
20		34.79	0.020		
10		33.47	0.019		
0		30.24	0.017		
-10		22.34	0.013		
-20		13.88	0.008		
-30		28.14	0.016		
25		Maximum Voltage	33.11		
25	BEP	18.58	0.011		



LTE Band 41 (QPSK) / 2593MHz / BW10M					
Temperature (°C)	Voltage	Freq. Dev.	Freq. Dev.	Limit	Result
	(Volt)	(Hz)	(ppm)		
50	Normal Voltage	27.93	0.011	2.5ppm	PASS
40		17.19	0.007		
30		24.53	0.010		
20		15.80	0.006		
10		15.13	0.006		
0		22.20	0.009		
-10		22.76	0.009		
-20		28.44	0.011		
-30		30.30	0.012		
25		Maximum Voltage	13.68		
25	BEP	12.86	0.005		

LTE Band 41 (QPSK) / 2593MHz / BW20M					
Temperature (°C)	Voltage	Freq. Dev.	Freq. Dev.	Limit	Result
	(Volt)	(Hz)	(ppm)		
50	Normal Voltage	35.07	0.014	2.5ppm	PASS
40		11.62	0.005		
30		27.83	0.011		
20		12.90	0.005		
10		32.81	0.013		
0		27.66	0.011		
-10		32.71	0.013		
-20		16.01	0.006		
-30		29.05	0.011		
25		Maximum Voltage	23.73		
25	BEP	15.62	0.006		



LTE Band 66 (QPSK) / 1745MHz / BW10M					
Temperature (°C)	Voltage	Freq. Dev.	Freq. Dev.	Limit	Result
	(Volt)	(Hz)	(ppm)		
50	Normal Voltage	12.22	0.007	2.5ppm	PASS
40		28.18	0.016		
30		29.41	0.017		
20		16.41	0.009		
10		27.93	0.016		
0		21.77	0.013		
-10		33.90	0.020		
-20		29.89	0.017		
-30		15.78	0.009		
25		Maximum Voltage	11.71		
25	BEP	22.93	0.013		

LTE Band 66 (QPSK) / 1745MHz / BW20M					
Temperature (°C)	Voltage	Freq. Dev.	Freq. Dev.	Limit	Result
	(Volt)	(Hz)	(ppm)		
50	Normal Voltage	23.59	0.014	2.5ppm	PASS
40		17.80	0.010		
30		18.49	0.011		
20		17.40	0.010		
10		34.68	0.020		
0		13.50	0.008		
-10		18.74	0.011		
-20		15.59	0.009		
-30		32.68	0.019		
25		Maximum Voltage	20.21		
25	BEP	30.30	0.017		



LTE Band 71 (QPSK) / 680.5MHz / BW10M					
Temperature (°C)	Voltage	Freq. Dev.	Freq. Dev.	Limit	Result
	(Volt)	(Hz)	(ppm)		
50	Normal Voltage	21.02	0.030	2.5ppm	PASS
40		31.23	0.044		
30		29.48	0.042		
20		32.81	0.046		
10		13.36	0.019		
0		29.06	0.041		
-10		26.55	0.004		
-20		26.21	0.037		
-30		14.05	0.020		
25		Maximum Voltage	21.91		
25	BEP	24.81	0.035		

LTE Band 71 (QPSK) / 680.5MHz / BW20M					
Temperature (°C)	Voltage	Freq. Dev.	Freq. Dev.	Limit	Result
	(Volt)	(Hz)	(ppm)		
50	Normal Voltage	28.54	0.040	2.5ppm	PASS
40		17.35	0.024		
30		13.58	0.019		
20		17.51	0.025		
10		13.86	0.020		
0		33.90	0.048		
-10		24.88	0.004		
-20		14.55	0.020		
-30		31.49	0.044		
25		Maximum Voltage	22.30		
25	BEP	15.88	0.022		



APPENDIX-PHOTOS OF TEST SETUP

Note: See test photos in setup photo document for the actual connections between Product and support equipment.

※※※※※END OF THE REPORT※※※※※

