



Icom Inc.  
1-1-32, Kamiminami, Hirano-ku, Osaka 547-0003 Japan.  
Phone : 06 6793 5302 Fax : 06 6793 0013  
e-mail: world\_support@icom.co.jp

## FCC Labeling Requirements and Information

March 28, 2006

American Telecommunications Certification Body, Inc.  
6731 Whittier Avenue  
Suite C110  
McLean, VA 22101

RE: FCC Labeling Requirements  
FCC ID: AFJ288800

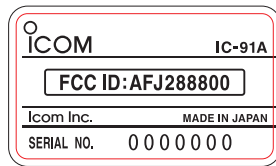
The following label information is required by the FCC Rules and Regulations for certified devices.  
Also attached, please find marketing information required by the FCC Rules and Regulations.

Thank you for your attention to these matters.

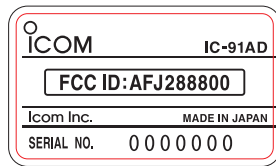
Icom Incorporated

A handwritten signature in black ink, consisting of stylized Japanese characters.

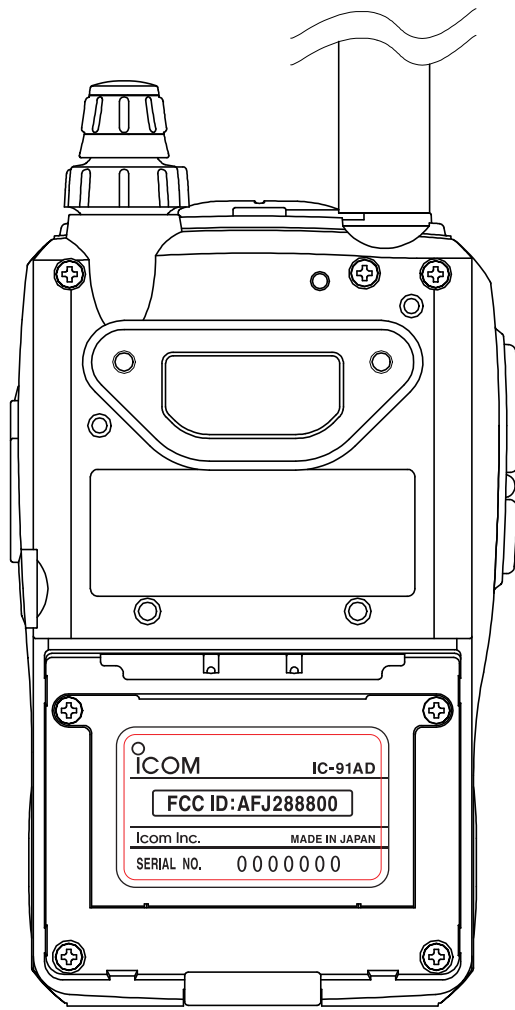
Yoshiteru Yano  
General Manager



C11546  
履歴A



C11839  
履歴A



ICOM IC-91AD  
FCC ID: AFJ288800  
Icom Inc. MADE IN JAPAN  
SERIAL NO. 000000



## INSTRUCTION MANUAL

VHF/UHF FM TRANSCEIVER

# IC-91A IC-91AD

This device complies with Part 15 of the FCC Rules. Operation is subject to the following two conditions: (1) this device may not cause harmful interference, and (2) this device must accept any interference received, including interference that may cause undesired operation.

**WARNING: MODIFICATION OF THIS DEVICE TO RECEIVE CELLULAR RADIO TELEPHONE SERVICE SIGNALS IS PROHIBITED UNDER FCC RULES AND FEDERAL LAW.**

Icom Inc.

