

ICOM IC-F1721D

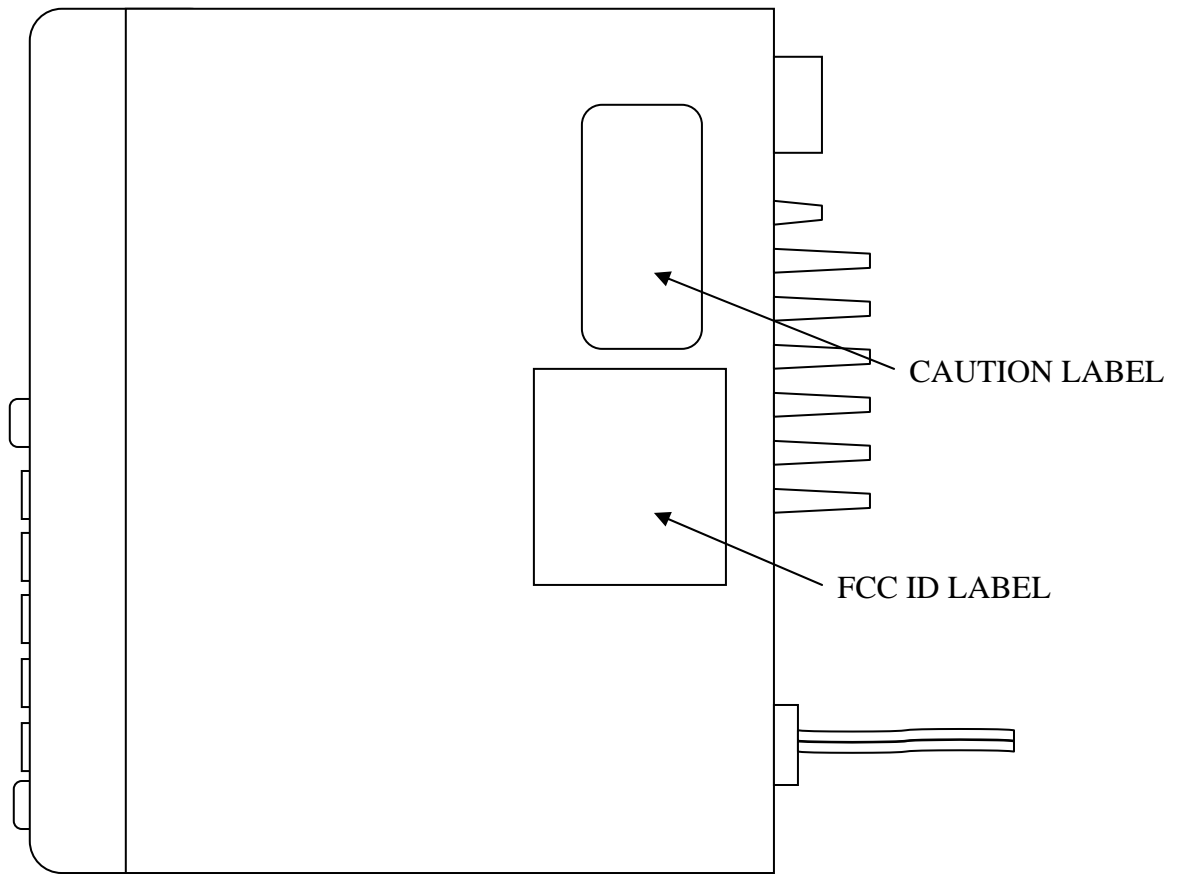
**FCC ID: AFJ278100**  
Icom Inc.    MADE IN JAPAN  
**IC: 202D-278100**

SERIAL NO.    0 0 0 0 0 0



This device complies with Part 15 of the FCC Rules. Operation is subject to the condition that this device does not cause harmful interference.

IC-F1721D



ICOM

IC-F1721D

**FCC ID: AFJ278100**

Icom Inc. MADE IN JAPAN

IC: 202D-278100

SERIAL NO. 0000007



This device complies with Part 15 of the FCC Rules. Operation is subject to the condition that this device does not cause harmful interference.



**CAUTION**

Device must be restricted to occupational use to satisfy FCC RF exposure compliance. See owner's manual for specific operating requirements.