

17. TEST PHOTOGRAPHS

See following Attached Pages for setup photographs.



FCC ID: AEZSCP-PRO700	 PCTEST ENGINEERING LABORATORY, INC.	HAC (RF EMISSIONS) TEST REPORT	 SANYO	Reviewed by: Quality Manager
HAC Filename: 0801180068.AEZ	Test Dates: January 15 - 21, 2008	EUT Type: Cellular/PCS CDMA Phone with Bluetooth and EvDO	Page 68 of 70	



Figure 17-1
Ear Reference Point HAC Phantom Alignment

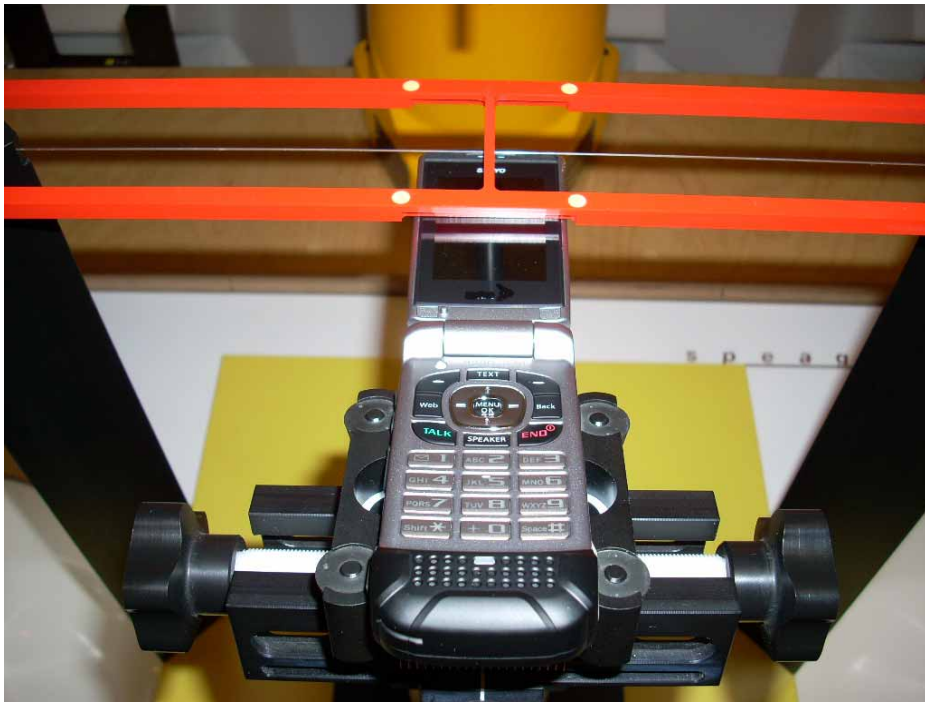




Figure 17-2
HAC Phantom Plane Alignment

FCC ID: AEZSCP-PRO700	 PCTEST <small>ENGINEERING LABORATORY, INC.</small>	HAC (RF EMISSIONS) TEST REPORT		Reviewed by: Quality Manager
HAC Filename: 0801180068.AEZ	Test Dates: January 15 - 21, 2008	EUT Type: Cellular/PCS CDMA Phone with Bluetooth and EvDO		Page 69 of 70

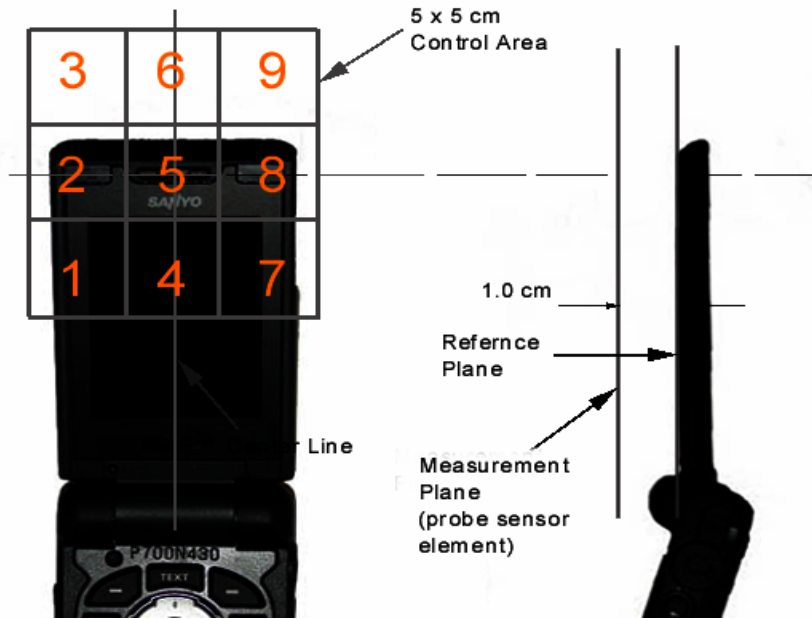


Figure 17-3
5x5 Scan grid above WD



Figure 17-4
E-Field WD Scan overlay



Figure 17-5
H-Field WD Scan overlay

FCC ID: AEZSCP-PRO700	PCTEST ENGINEERING LABORATORY, INC.	HAC (RF EMISSIONS) TEST REPORT	SANYO	Reviewed by: Quality Manager
HAC Filename: 0801180068.AEZ	Test Dates: January 15 - 21, 2008	EUT Type: Cellular/PCS CDMA Phone with Bluetooth and EvDO		Page 70 of 70