

AVO LEVEL	PREPARE	WEIGHT
1/7	CLEAR	
2/7	18H	1g
3/7	24H	
4/7		
5/7	24H	1g
6/7		
7/7	12H	1g

AVO LEVEL	Buttons / for speed	LIANT
1/7	A	1
2/7	B	2
3/7	A	1
4/7	B	2
5/7	A	1
6/7	B	2
7/7	A	1
8/7	B	2

Object of PCB COMP code: 4320418653500

Reference A: Y/O Striver
Reference B: W/ Striver

AVO LEVEL
P13 0/7

AVO LEVEL
P8 1/7

NO P13-2, 25

AVO LEVEL
P13 0/7

AVO LEVEL
P13 0/7

AVO LEVEL
P13 0/7

AVO LEVEL
P13 0/7

AVO LEVEL
P13 0/7

AVO LEVEL
P13 0/7

AVO LEVEL
P13 0/7

AVO LEVEL
P13 0/7

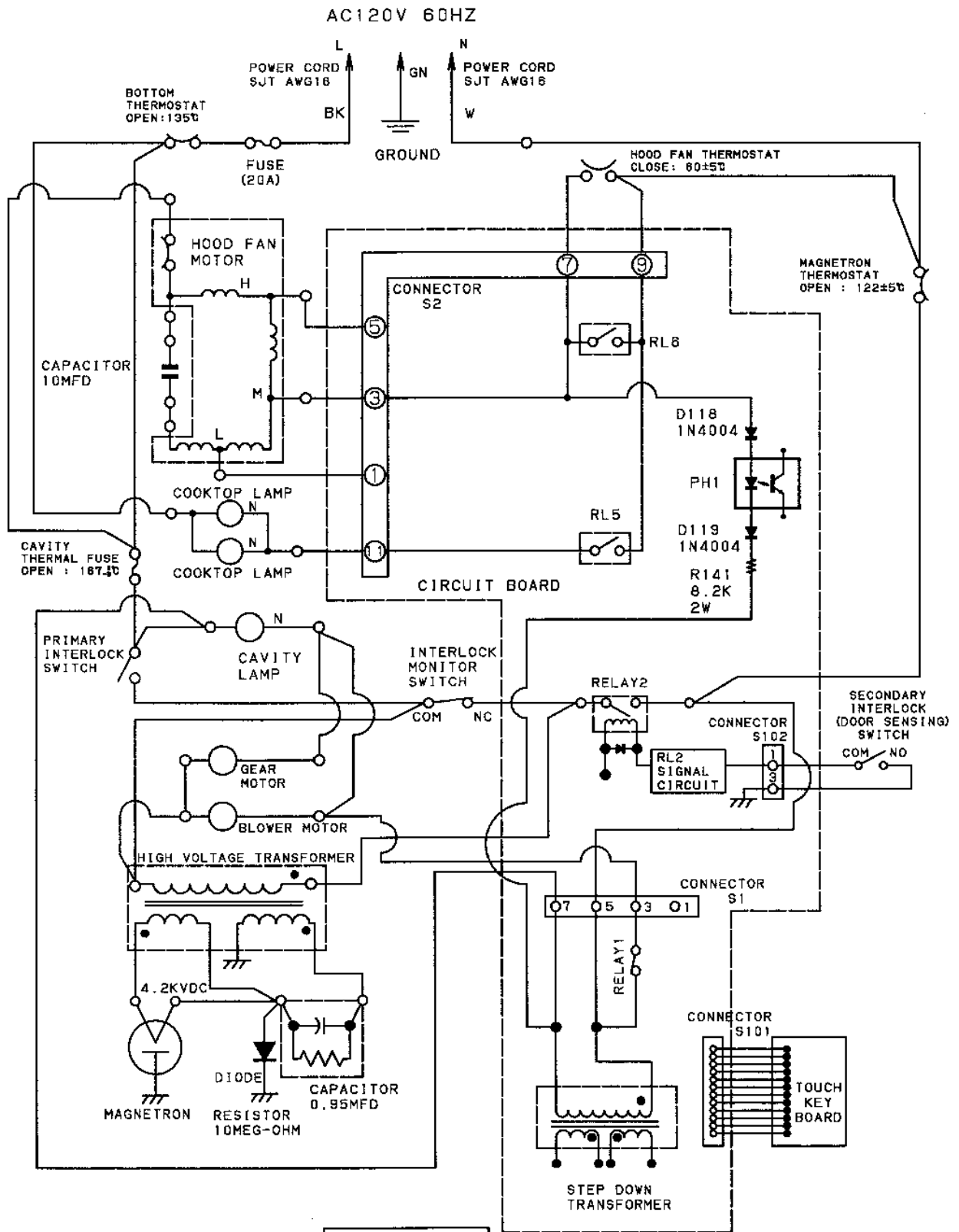
AVO LEVEL
P13 0/7

AVO LEVEL
P13 0/7

AVO LEVEL
P13 0/7

AVO LEVEL
P13 0/7

AVO LEVEL
P13 0/7



SWITCH MADE ●	SECONDARY INTERLOCK			
	PRIMARY INTERLOCK SWITCH	INTERLOCK MONITOR SWITCH	DOOR SENSING SWITCH	RELAY2
CONDITION	COM	COM	COM	COM
DOOR OPEN	NO	NC	NO	NO
DOOR CLOSE	●	●	●	●