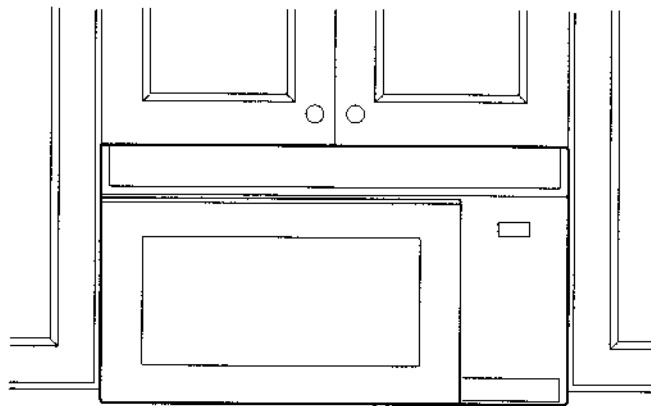




**USER'S GUIDE  
AND COOKING GUIDE**

**EM-RS6000**

**Over-The-Range Microwave Oven**



Read these instructions carefully before using your microwave oven.  
If you follow the instructions, your oven will provide you with many years of  
good service.

**SAVE THESE INSTRUCTIONS**

## PRECAUTIONS TO AVOID POSSIBLE EXPOSURE TO EXCESSIVE MICROWAVE ENERGY

- (a) **Do not** attempt to operate this oven with the door open since open-door operation can result in harmful exposure to microwave energy. It is important not to defeat or tamper with the safety interlocks.
- (b) **Do not** place any object between the oven front face and the door or allow soil or cleaner residue to accumulate on sealing surfaces.
- (c) **Do not** operate the oven if it is damaged. It is particularly important that the oven door close properly and that there is no damage to the:
  - (1) DOOR (bent)
  - (2) HINGES AND LATCHES (broken or loosened)
  - (3) DOOR SEALS AND SEALING SURFACES
- (d) **The oven** should not be adjusted or repaired by anyone except properly qualified service personnel.

### SPECIFICATIONS

<b>Model:</b>	<b>EM-RS6000</b>
<b>Power Source:</b>	AC 110-120V, 60 Hz
<b>Power Consumption:</b>	1500W
<b>Maximum Output:</b>	1000W*
<b>Oven Capacity:</b>	1.7 cu. ft.
<b>Turntable Diameter:</b>	12 <sup>5</sup> / <sub>8</sub> "
<b>Dimensions: (w x h x d)</b>	29 <sup>7</sup> / <sub>8</sub> " x 17" x 16 <sup>1</sup> / <sub>2</sub> "
<b>Weight: Approx.</b>	64 lbs.

**Specifications subject to change without notice.**

\*According to IEC-705 test procedure. The IEC-705 test procedure is an internationally recognized method of rating microwave wattage output.

**Please record your product's information**

When you call to request service, you need to know your complete model number and serial number. Please fill in the information below. Please also record purchase date, price and where purchased. Keep your sales receipt and/or cancelled check as proof of purchase.

<b>Model Number:</b>	(Located on the front of the oven)
<b>Serial Number:</b>	(Located on the front of the oven)
<b>Date of Purchase:</b>	
<b>Where Purchased:</b>	

## SAFETY

# IMPORTANT SAFETY INSTRUCTIONS

When using electrical appliances, basic safety precautions should be followed, including the following:



**WARNING** - To reduce the risk of burns, electric shock, fire, injury to persons or exposure to excessive microwave energy:

1. Read all instructions before using the appliance.
2. Read and follow the specific "PRECAUTIONS TO AVOID POSSIBLE EXPOSURE TO EXCESSIVE MICROWAVE ENERGY" on page 2.
3. As with most cooking appliances, close supervision is necessary to reduce the risk of a fire in the oven cavity.  
**If a fire should start:**
  - Keep the oven door closed
  - Turn the oven off, and
  - Disconnect the power cord or shut off power at the fuse or circuit breaker panel.**Keep in mind the following rules at all times to reduce the risk of fire in the oven cavity:**
  - a. Do not overcook food. Carefully attend the appliance if paper, plastic, or other combustible materials are placed inside the oven to facilitate cooking.
  - b. Do not use the oven cavity for storage purposes. Do not store combustible items such as bread, cookies, paper products, etc. inside the oven. If lightning strikes the power line, the oven may turn on by itself.
  - c. Remove wire twist-ties and metal handles from paper or plastic containers/bags before placing them in the oven.
4. This oven must be grounded. Connect only to properly grounded outlet. See "GROUNDING INSTRUCTIONS" on page 6.
5. Install or locate this oven only in accordance with the provided installation instructions.
6. Some products such as whole eggs, water with oil or fat, sealed containers and closed glass jars may explode and therefore should not be heated in this oven.
7. Use this appliance only for its intended use as described in the manual. Do not use corrosive chemicals or vapors in this appliance. This oven is specifically designed to heat or cook or defrost food. It is not designed for industrial or laboratory use. It is intended for home use.
8. As with any appliance, close supervision is necessary when used by children.
9. Do not operate this oven if it has a damaged cord or plug, if it is not working properly or if it has been damaged or dropped.
10. This appliance should be serviced only by qualified service technicians. Contact the nearest authorized service facility for examination, repair or adjustment.
11. Do not cover or block any vents on the oven.
12. Do not store or use this appliance outdoors.
13. Do not use this oven near water, near a kitchen sink, in a wet basement or near a swimming pool, and the like.
14. Do not immerse cord or plug in water.
15. Keep cord away from heated surfaces.
16. Do not let cord hang over edge of table or counter.
17. When cleaning door and oven surfaces that meet when door is closed, use only mild, nonabrasive soaps or detergents applied with a sponge or soft cloth. (See "Care and Cleaning" instructions on page 33.)
18. Do not mount over a sink.

- 19. This oven is suitable for use above both gas and electric cooking equipment.
- 20. This oven is intended to be used above ranges with a maximum width of 30 inches.
- 21. Clean the underside of the microwave oven often. Do not allow grease to build up on the microwave oven or the fan filters.
- 22. When flaming foods under the hood, turn the fan on.
- 23. Use care when cleaning the vent-hood filter. Corrosive cleaning agents, such as lye-based oven cleaners, may damage the filter.

## SAVE THESE INSTRUCTIONS

### PROPER AND SAFE USE OF YOUR OVEN

- The oven must be level.
- The turntable and turntable roller rest must be in the oven during cooking.
- Place cookware gently on the turntable and handle it carefully to avoid possible breakage.
- Incorrect use of browning dish may cause the turntable to break. See page 8.
- When using the Popcorn feature of this microwave oven, use only the bag sizes specified in the instruction manual.
- Do not pop popcorn except in a microwave approved popcorn popper or in a commercial package recommended especially for microwave ovens.
- The oven has several built-in safety switches to ensure that the power remains off when the door is open. Do not tamper with these switches.
- Do not operate the microwave oven empty. Operating the oven without any food or food that is extremely low in moisture can cause fire, charring or sparking.
- Do not cook bacon directly on the turntable. Excessive local heating of the turntable may cause it to break.
- Do not heat baby bottles or baby food in the microwave oven. Uneven heating may occur and could cause physical injury.
- Do not heat narrow-necked containers, such as syrup bottles.
- Do not attempt to deep-fry in your microwave oven.
- Do not do home canning in this microwave oven as it is impossible to be sure all contents of the jar have reached boiling temperature.
- Do not use this microwave oven for commercial purposes. This microwave oven is made for household use only.
- Liquids, such as beverages, that are heated in a microwave oven, can overheat beyond their boiling point without any evidence of bubbling. This could result in hot liquids suddenly boiling over. To prevent this occurrence, the following steps should be taken:
  - (a) Avoid using straight-sided containers with narrow necks.
  - (b) Do not overheat.
  - (c) Stir the liquid before placing the container in the oven and again halfway through the heating time.
  - (d) After heating, allow to stand in the oven for a short time, stirring again before carefully removing the container.
- The metal rack must be removed from the oven when the rack is not used for cooking.

## GROUNDING INSTRUCTIONS

### **DANGER**

#### **Electric Shock Hazard**

- Touching some of the internal components can cause serious personal injury or death. Do not disassemble this appliance.

### **WARNING**

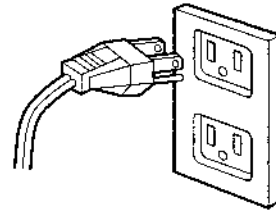
#### **Electric Shock Hazard**

- Improper use of the grounding plug can result in electric shock. Do not plug into an outlet until appliance is properly installed and grounded.

This appliance must be grounded. In the event of an electrical short circuit, grounding reduces the risk of electric shock by providing an escape wire for the electric current. This appliance is equipped with a cord that has a grounding wire with a grounding plug. The plug must be plugged into an outlet that is properly installed and grounded.

Where standard two-prong wall receptacle is encountered, it is your personal responsibility and obligation to have it replaced with a properly grounded three-prong wall receptacle.

**Properly polarized and grounded outlet**



**Three-pronged (grounding) plug**

Do not under any circumstance cut or remove the third (ground) prong from the power cord. Do not use an adapter plug with this appliance.

Consult a qualified electrician or serviceman if the grounding instructions are not completely understood or if doubt exists as to whether the appliance is properly grounded.

Do not use an extension cord. If the power supply cord is too short, have a qualified electrician or serviceman install an outlet near the appliance.

**NOTE:** If your electric power line or outlet voltage is less than 110 volts, cooking times may be longer. Have a qualified electrician check your electrical system.

## SET UP

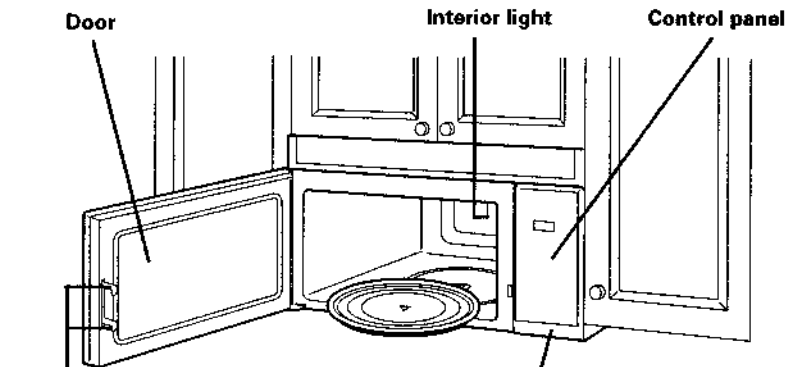
### NAMES OF OVEN PARTS AND ACCESSORIES

Remove the oven and all materials from the carton.

Your oven comes with the following materials and accessories:

Turntable	1	Grease filter	2
Turntable roller rest	1	Charcoal filter	2
Instruction Manual	1	Damper assembly	1
Installation Instructions	1	Hardware package	1
Upper cabinet template	1	Metal rack	1
Wall template	1		

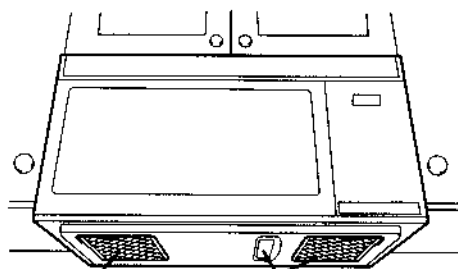
SET UP



**Safety interlock system**  
Shuts off oven power if door is opened during operation.

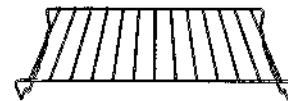
**Door release button**

- Press the button to open door.
- When you open the door during the cooking process, cooking will stop but the program will not be canceled. Close the door and touch **START** to resume cooking.



**Grease filters**  
Do not run the fan without grease filters.

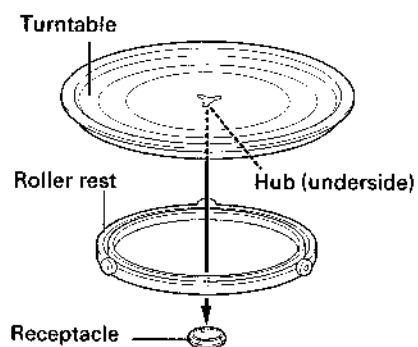
**Cooktop light**



**Metal rack**

When cooking two or three dishes at the same time or larger dishes.

## TURNTABLE INSTALLATION



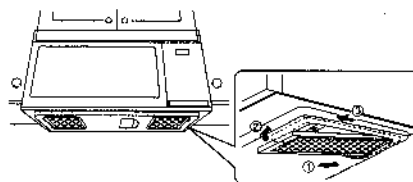
1. Place the roller rest on the cavity bottom.
2. Place the turntable on top of the roller rest as shown in the diagram. Make sure the turntable hub is securely locked in the receptacle.

- **Never place the turntable upside down.** The turntable should never be restricted.
- Both turntable and roller rest must always be used during cooking.
- All food and containers of food must always be placed on the turntable for cooking.
- **The turntable returns to its original starting position** when cooking is finished. The light and fan will remain on but microwave power is turned off.
- The turntable rotates clockwise and counterclockwise; this is normal.
- If turntable or roller rest cracks or breaks, contact your nearest authorized service center for more information regarding replacement.

## CHARCOAL FILTER INSTALLATION

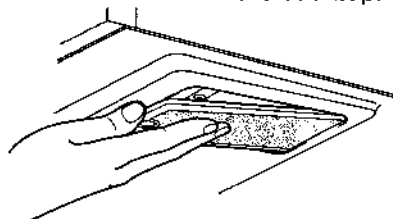
If the microwave oven has been installed for room venting, the air vented by the fan will be recirculated back into the room through a pair of disposable charcoal filters that help to remove smoke and odors. If these filters become excessively dirty or discolored, they should be replaced. Under normal conditions, these filters should be replaced once every 6 to 12 months.

1. Disconnect the power supply.
2. Grasp the charcoal filter with both hands, each one holding an opposite end of the filter.
3. Insert one end of the filter into the opening as shown. Insert other end into the opening and slide toward the front side of microwave oven until filter is securely in position.
4. Repeat for other charcoal filter.



## GREASE FILTER INSTALLATION

The reusable metal grease filters trap grease released by food on the cooktop. They also prevent damage to the inside of microwave due to flames from food on the cooktop.



1. Disconnect the power supply.
2. Grasp the grease filter with one hand holding the ring and the other hand holding the opposite end.
3. Insert one end of the filter without ring into the opening and slide toward the rear of microwave oven.
4. Insert ring end of grease filter into the opening and slide entire filter towards the front side of the microwave oven until filter is securely in position.
5. Repeat for other grease filter.