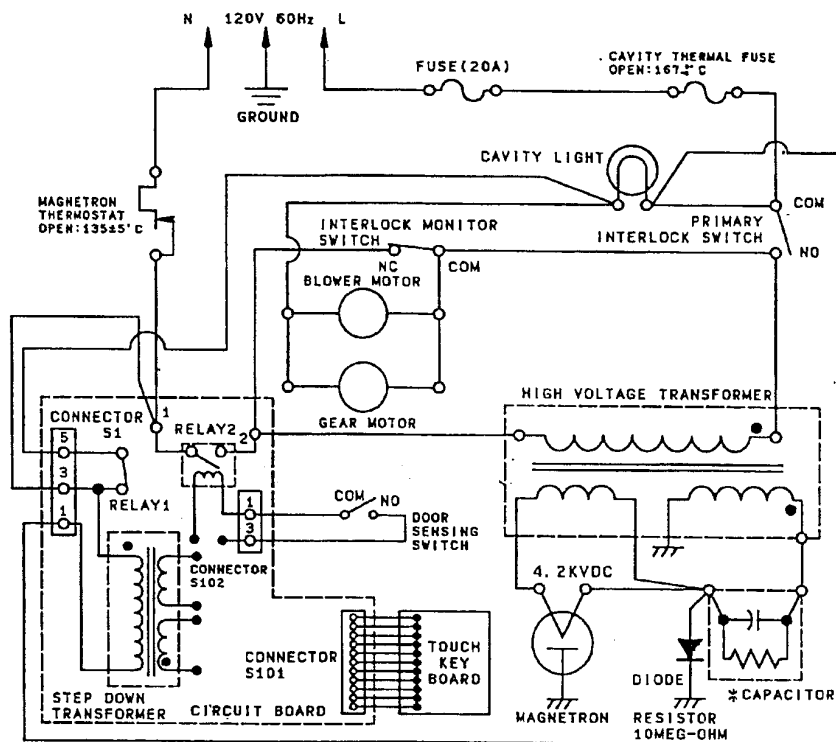


CIRCUIT DIAGRAM



| SWITCH MADE ● | SECONDARY INTERLOCK | | | |
|---------------|--------------------------|--------------------------|---------------------|--------|
| | PRIMARY INTERLOCK SWITCH | INTERLOCK MONITOR SWITCH | DOOR SENSING SWITCH | RELAY2 |
| CONDITION | COM | COM | COM | COM |
| DOOR OPEN | NO | NC | NO | NO |
| DOOR CLOSE | ● | ● | ● | ● |