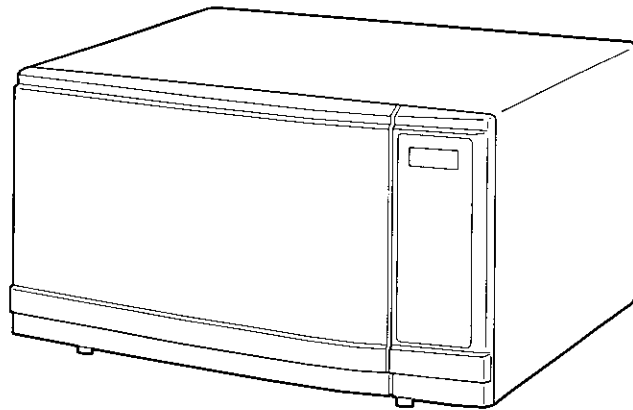


# SEARS Owner's Manual



## MICROWAVE OVEN

Model Nos.  
565. 69280  
565. 69281  
565. 69380  
565. 69381  
565. 69480  
565. 69481



**CAUTION:**

Before using this appliance, read this manual and follow all safety rules and Operating Instructions. (Spanish Owner's Manual can be found on page 35-49.) (El manual del propietario en español se encuentra en las páginas 35-49.)

**SAVE THESE INSTRUCTIONS**

Sears, Roebuck and Co., Hoffman Estates, IL 60179, U.S.A.

SAFETY

ASSEMBLY

OPERATION

COOKING GUIDE

MAINTENANCE

ESPAÑOL

## PRECAUTIONS TO AVOID POSSIBLE EXPOSURE TO EXCESSIVE MICROWAVE ENERGY

- (a) **Do not** attempt to operate this oven with the door open since open-door operation can result in harmful exposure to microwave energy. It is important not to defeat or tamper with the safety interlocks.
- (b) **Do not** place any object between the oven front face and the door or allow soil or cleaner residue to accumulate on sealing surfaces.
- (c) **Do not** operate the oven if it is damaged. It is particularly important that the oven door closes properly and that there is no damage to the:
  - (1) DOOR (bent)
  - (2) HINGES AND LATCHES (broken or loosened)
  - (3) DOOR SEALS AND SEALING SURFACES
- (d) **The oven** should not be adjusted or repaired by anyone except properly qualified service personnel.

### SPECIFICATIONS

Model:	565. 69280/ 565. 69281	565.69380/ 565.69381	565.69480/ 565.69481
<b>Power Source:</b>	AC 120 V, 60 Hz	AC 120 V, 60 Hz	AC 120 V, 60 Hz
<b>Power Consumption:</b>	1480W, 12.9 Amps	1650W, 14 Amps	1650W, 14 Amps
<b>Maximum Output:</b>	1000W*	1100W*	1100W*
<b>Oven Capacity:</b>	1.0 cu. ft.	1.3 cu. ft.	1.8 cu. ft.
<b>Turntable Diameter:</b>	10- <sup>13</sup> / <sub>16</sub> "	12- <sup>5</sup> / <sub>8</sub> "	12- <sup>5</sup> / <sub>8</sub> "
<b>Dimensions:</b> (w x h x d)	20- <sup>11</sup> / <sub>16</sub> " x 11- <sup>3</sup> / <sub>8</sub> " x 16- <sup>5</sup> / <sub>16</sub> "	21- <sup>5</sup> / <sub>8</sub> " x 12- <sup>1</sup> / <sub>2</sub> " x 17- <sup>11</sup> / <sub>16</sub> "	23- <sup>7</sup> / <sub>16</sub> " x 14- <sup>1</sup> / <sub>4</sub> " x 17- <sup>11</sup> / <sub>16</sub> "
<b>Weight: Approx.</b>	34.5 lbs.	41 lbs.	44 lbs.

\*According to IEC-705 test procedure  
Specifications subject to change without notice.

### FOR YOUR ASSISTANCE...

To make a request for service, information or replacement of parts, Sears will require the complete **Model number** and **Serial number** of your oven. Copy your Model and Serial numbers.

**Model No.**

(Located on the inner left side of control panel)

**Serial No.**

(Located on the inner left side of control panel)

## TABLE OF CONTENTS

<b>SAFETY</b>		<b>COOKING GUIDE</b>	
Proper and safe use of your oven	4	Cooking Techniques . . . . .	20
Important Safety Instructions .	5	Quick Touch™ Cooking . . . . .	21
Electrical Grounding Instructions	6	Appetizers and Snacks . . . . .	27
Utensils . . . . .	6	Rice . . . . .	27
<b>ASSEMBLY</b>		Meats, Poultry and Fish . . . . .	28
Names of Oven Parts and		Eggs . . . . .	30
Accessories . . . . .	8	Baked Goods and Desserts . .	31
Turntable Installation . . . . .	8	<b>MAINTENANCE</b>	
Installation . . . . .	9	Cleaning . . . . .	32
<b>OPERATION</b>		Sears Service . . . . .	32
<b>Basic Features</b>		Troubleshooting . . . . .	33
Control Panel and Features . .	10	<b>ESPAÑOL (Spanish Instructions)</b>	
Setting Clock . . . . .	12	<b>GARANTIA</b> . . . . .	35
Child Lock-Out . . . . .	12	<b>SEGURIDAD</b> . . . . .	36
Kitchen Timer . . . . .	13	<b>ENSAMBLE</b> . . . . .	39
Time Cooking . . . . .	13	<b>OPERACION</b> . . . . .	40
<b>Special Features</b>		(Consulte la página 35 para encontrar el índice detallado)	
Optional Settings . . . . .	15		
Family Favorite . . . . .	15		
Quick Touch™ Cooking . . . . .	16		
Automatic Defrost by Weight .	17		
Quick-On Cooking . . . . .	19		

## WARRANTY

### KENMORE® MICROWAVE OVEN **FULL ONE YEAR WARRANTY**

For one year from the date of purchase, if this Kenmore® Microwave Oven fails due to a defect in material or workmanship, Sears will repair it, free of charge.

### KENMORE® MAGNETRON **FULL FIVE YEAR WARRANTY**

For five years from the date of purchase, if the magnetron in this Kenmore® Microwave Oven fails due to a defect in material or workmanship, Sears will repair it, free of charge.

The above warranty coverage applies only to microwave ovens which are used for private household purposes.

Warranty service is available by simply **CONTACTING THE NEAREST SEARS STORE OR SERVICE CENTER** in the United States.

This Warranty applies only while this product is in use in the United States.

The Warranty give you specific legal rights, and you may also have other rights which vary from state to state.

**SEARS, ROEBUCK AND CO.,  
D/817 WA,  
HOFFMAN ESTATES, IL. 60179**

For Service Call:  
1 - 800 - 4 - REPAIR  
1 - 800 - 473 - 7247

## SAFETY

### PROPER AND SAFE USE OF YOUR OVEN

- The oven must be level.
- **The turntable and turntable roller rest** must be in the oven during cooking. See page 8.
- **Place** the cookware gently on the turntable and handle it carefully to avoid possible breakage.
- **Incorrect use** of browning dish may cause the turntable to break. See page 7.
- **Use** only the specified bag size when using Sensor Popcorn.
- **The oven** has several built-in safety switches to ensure that the power remains off when the door is open. Do not tamper with these switches.
- **Do not** operate the microwave oven when empty. Operating the oven with no food or food that is extremely low in moisture can cause fire, charring or sparking.
- **Do not** cook bacon directly on the turntable. Excessive local heating of the turntable may cause it to break.
- **Do not** heat baby bottles or baby food in the microwave oven. Uneven heating may occur and could cause physical injury.
- **Do not** heat narrow-necked containers, such as syrup bottles.
- **Do not** attempt to deep-fry in your microwave oven.
- **Do not** do home canning in this microwave oven as it is impossible to be sure all contents of the jar have reached boiling temperature.
- **Do not** use this microwave oven for commercial purposes. This microwave oven is made for household use only.
- To prevent delayed eruptive boiling of hot liquids and beverages or scalding, stir liquid before placing the container in the oven and again halfway through cooking time. Let stand in the oven for a short time and stir again before removing the container.

## IMPORTANT SAFETY INSTRUCTIONS

When using electrical appliances, basic safety precautions should be followed, including the following:



**WARNING** - To reduce the risk of burns, electric shock, fire, injury to persons or exposure to excessive microwave energy:

- **Read** all instructions before use.
  - **Read and follow** the specific "PRECAUTIONS TO AVOID POSSIBLE EXPOSURE TO EXCESSIVE MICROWAVE ENERGY" on page 2.
  - As with most cooking appliances, close supervision is necessary to reduce the risk of a fire in the oven cavity.
- If a fire should start:**
- Keep the oven door closed
  - Turn the oven off, and
  - Disconnect the power cord or shut off power at the fuse or circuit breaker panel.
- Keep in mind the following rules at all times:**
- a) **Do not** overcook foods. Carefully attend the appliance if paper, plastic, or other combustible materials are placed inside the oven to facilitate cooking.
  - b) **Do not** use the cavity for storage purposes. Do not store combustible items such as bread, cookies, paper products, etc. inside the oven. If lightning strikes the power line, the oven may turn on by itself.
  - c) Remove wire twist-ties and metal handles from paper or plastic containers/bags before placing them in the oven.
- **This oven** must be grounded. Connect only to properly grounded outlet. See page 6.
  - **Some products** such as whole eggs, water with oil or fat, sealed containers and closed glass jars may explode and therefore should not be heated in this oven.
  - **Install or locate** this oven only in accordance with the provided installation instructions.
  - Use this appliance only for its intended use as described in this manual. Do not use corrosive chemicals or vapors in this appliance. This oven is specifically designed to heat or cook food. It is not designed for industrial or laboratory use.
  - As with any appliance, close supervision is necessary when used by children.
  - **Do not** operate this oven if it has a damaged cord or plug, if it is not working properly or if it has been damaged or dropped.
  - **This appliance** should be serviced only by qualified service technicians. Contact the nearest authorized service facility for examination, repair or adjustment.
  - **Do not** cover or block any vents on the oven.
  - **Do not** store or use this appliance outdoors.
  - **Do not** use this oven near water, near a kitchen sink, in a wet basement or near a swimming pool, and the like.
  - **Do not** immerse cord or plug in water.
  - **Keep** cord away from heated surfaces.
  - **Do not** let cord hang over edge of table or counter.
  - **When cleaning** surfaces of door and oven that comes together on closing the door, use only mild, nonabrasive soaps or detergents applied with a sponge or soft cloth. See page 32.

SAFETY

## SAVE THESE INSTRUCTIONS

## ELECTRICAL GROUNDING INSTRUCTIONS

### **! DANGER**

#### **Electric Shock Hazard**

- Touching some of the internal components can cause serious personal injury or death. Do not disassemble this appliance.

### **! WARNING**

#### **Electric Shock Hazard**

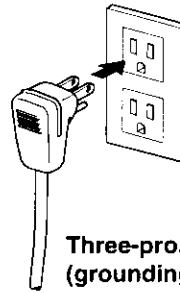
- Improper use of the grounding plug can result in electric shock. Do not plug into an outlet until appliance is properly installed and grounded.

This appliance must be grounded. If there is an electrical short circuit, grounding reduces the risk of electric shock by providing an escape wire for the electric current. This appliance is equipped with a cord that has a grounding wire with a grounding plug. The plug must be plugged into an outlet that is properly installed and grounded.

Consult a qualified electrician if the grounding instructions are not completely understood as to whether the appliance is properly grounded.

A short power supply cord is provided to reduce the risk of becoming entangled in or tripping over a longer cord.

#### **Properly polarized and grounded outlet**



**Three-pronged (grounding) plug**

Longer cord sets or extension cords may be used with following precautions:

- The marked electrical rating of the cord set or extension cord should be equal to or higher than the electrical rating of the appliance.
- The extension cord must be a grounding type 3-wire cord.
- A longer cord should be arranged so that it will not drape over the countertop or tabletop where it can be pulled on by children or tripped over accidentally.

The electrical power cord must be kept dry and must not be pinched or crushed in any way.

## UTENSILS

### **! CAUTION**

#### **Personal Injury Hazard**

- Tightly-closed utensils could explode. Closed containers are opened and plastic pouches pierced before cooking.

See following page for further instructions "Materials you can use in microwave oven or to be avoided in microwave oven."

#### **Utensil Test:**

1. Fill a microwave-safe container with 1 cup of cold water (250 mL) along with the utensil in question.
2. Cook on **maximum** power (P100) for 1 minute.
3. Carefully feel the utensil. If the empty utensil is warm, Do not use them for Microwave Cooking. **Do not exceed 1 minute testing time.**

#### **CAUTION:**

1. Do not use plastic containers for testing.
2. Some containers and dishware may be warm (or hot) in only one area. Do not use a container that becomes warm anywhere.

### Materials you can use in microwave oven

Utensils	Remarks
Aluminum foil	Shielding only. Small smooth pieces can be used to cover thin parts of meat or poultry to prevent overcooking. <b>Arcing can occur if foil is too close to oven walls.</b> The foil should be at least 1 inch (2.5 cm) away from oven walls.
Browning dish	Follow manufacturer's instructions. The bottom of browning dish must be at least $\frac{3}{16}$ inch (5 mm) above the turntable. Incorrect usage may cause the turntable to break.
Dinnerware	Microwave-safe only. Follow manufacturer's instructions. Do not use cracked or chipped dishes.
Glass jars	Always remove lid. Use only to heat food until just warm. Most glass jars are not heat resistant and may break.
Glassware	Heat-resistant oven glassware only. Make sure there is no metallic trim. Do not use cracked or chipped dishes.
Oven cooking bags	Follow manufacturer's instructions. Do not close with metal tie. Make slits to allow steam to escape.
Paper plates and cups	Use for short-term cooking/warming only. Do not leave oven unattended while cooking.
Paper towels	Use to cover food for reheating and absorbing fat. Use with supervision for a short-term cooking only.
Parchment paper	Use as a cover to prevent spattering or a wrap for steaming.
Plastic	Microwave-safe only. Follow the manufacturer's instructions. Should be labeled "Microwave Safe" Some plastic containers soften as the food inside gets hot.
Plastic wrap	Microwave-safe only. Use to cover food during cooking to retain moisture. Do not allow plastic wrap to touch food. "Boiling bags" and tightly closed plastic bags should be slit, pierced or vented as directed by package.
Thermometers	Microwave-safe only (meat and candy thermometers).
Wax paper	Use as a cover to prevent spattering and to retain moisture.

### Materials to be avoided in microwave oven

Utensils	Remarks
Aluminum tray	May cause arcing. Transfer food into microwave-safe dish.
Food carton with metal handle	May cause arcing. Transfer food into microwave-safe dish.
Metal or metal-trimmed utensils	Metal shields the food from microwave energy. Metal trim may cause arcing.
Metal twist ties	May cause arcing and could cause a fire in the oven.
Paper bags	May cause a fire in the oven.
Plastic foam cups	Plastic foam may melt or contaminate the liquid inside when exposed to high temperature.
Wood	Wood will dry out when used in the microwave oven and may split or crack.

## ASSEMBLY

### NAMES OF OVEN PARTS AND ACCESSORIES

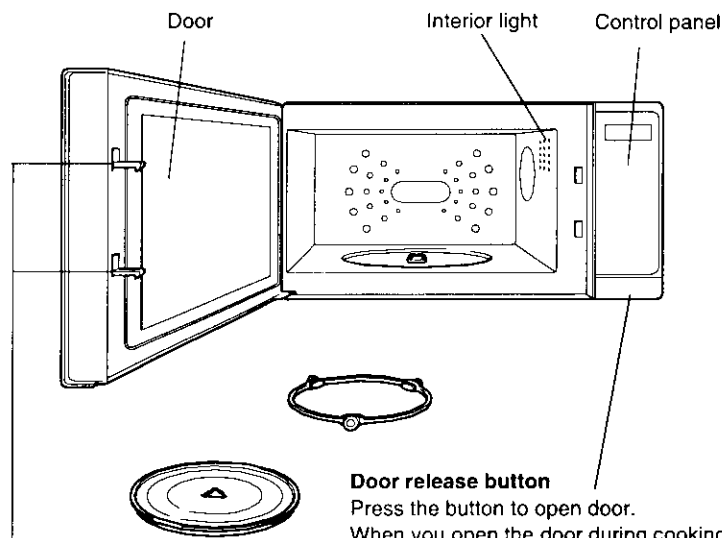
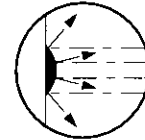
Remove the oven and all materials from the carton.

Your oven comes with the following accessories:

Turntable/ Turntable roller rest/ Owner's Manual

#### Super EvenWave® System

The microwaves reach the embossments on the interior walls and then bounce in every direction. As a result, microwave energy will be reflected from many angles to cook and defrost more evenly and results in improved performance.



#### Safety interlock system

Shuts off oven power if door is opened during operation.

#### Door release button

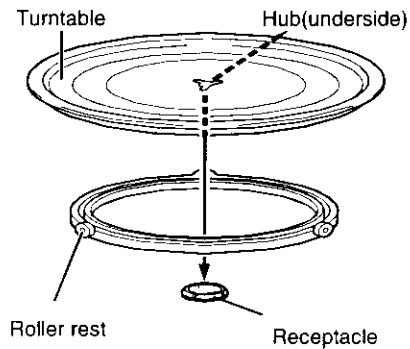
Press the button to open door.

When you open the door during cooking process, the cooking stops but the program will not be canceled. Touch START to resume cooking.

### TURNTABLE INSTALLATION

- Place the roller rest on the cavity bottom.
- Turntable hub should be securely locked in the receptacle. **Never place the turntable upside down.**
- The turntable rotation should never be restricted.
- Place the turntable on top of the roller rest as shown in the diagram.
- Both turntable and roller rest must always be used during cooking.
- All food and containers of food are always placed on this turntable for cooking.
- This turntable rotates clockwise or counterclockwise; this is normal.

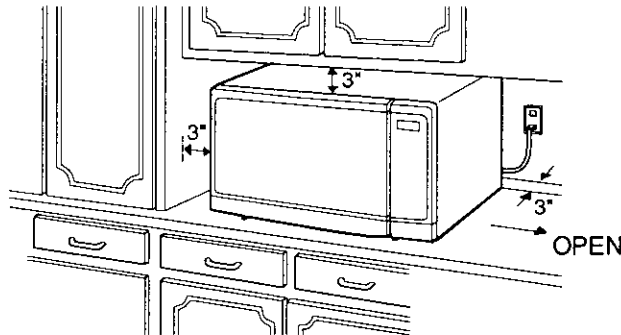
**CAUTION:** The inside of the oven and turntable get very hot, so do not touch them immediately after use.





## INSTALLATION

Remove all packing material and accessories.  
Examine the oven for any damage such as dents or broken door.  
Do not install if oven is damaged.



ASSEMBLY

1. Select a level surface that provides enough open space for the intake and/or outlet vents.  
A minimum clearance of 3 inches (7.5 cm) is required between the oven and any adjacent wall. One side must be open.
  - Leave a minimum clearance of 3 inches (7.5 cm) above the oven.
  - Do not remove the legs from the bottom of the oven.
  - Blocking the intake and/or outlet openings can damage the oven.
  - Do not install oven over a range, cooktop or other heat-producing appliance.
2. Plug your oven into a standard 120-volt / 60-Hz household outlet.  
Be sure the electrical circuit is at least 15 amperes and that your microwave oven is the only appliance on the circuit.

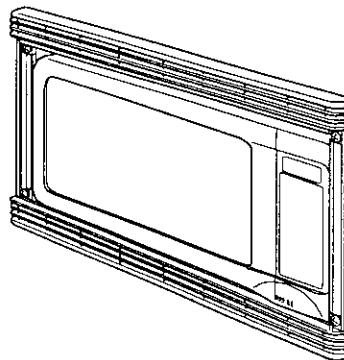
### 27 inch Built-in Kit

Your oven can be built into a cabinet by using an optional built-in kit. Contact the store where you purchased your oven.

Model No.	Built-in Kit Stock No.
565.69280	Not available
565.69281	
565.69380	20-69920
565.69381	20-69921
565.69480	20-69910
565.69481	20-69911

- The oven requires an opening of 25" (w) x 17" (h) x 21" (d) for installation.

**NOTE:** This unit is not designed for 50 Hz or any circuit other than a 120-volt/ 60-Hz AC circuit. This oven is designed for countertop or built-in installation.



- When using the built-in kit, a minimum clearance of 2 feet is required between the oven and heat-producing appliance. For example, next to or above a conventional gas or electric range or above conventional wall oven. Leave a minimum clearance of 2 feet around the oven. If installed near or over a heat source, the oven could be damaged and the warranty would be void.