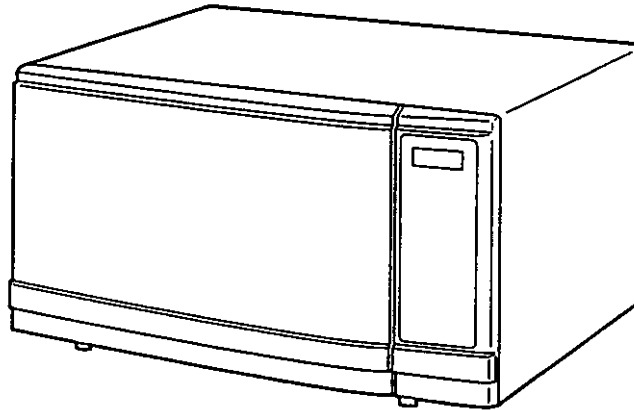


# SANYO

## INSTRUCTION MANUAL AND COOKING GUIDE

EM-P495  
EM-P692  
EM-P892

Microwave Oven



Read these instructions carefully before using your microwave oven.  
If you follow the instructions, your oven will provide you with many years of  
good service.

**SAVE THESE INSTRUCTIONS**

## PRECAUTIONS TO AVOID POSSIBLE EXPOSURE TO EXCESSIVE MICROWAVE ENERGY

- (a) Do not attempt to operate this oven with the door open since open-door operation can result in harmful exposure to microwave energy. It is important not to defeat or tamper with the safety interlocks.
- (b) Do not place any object between the oven front face and the door or allow soil or cleaner residue to accumulate on sealing surfaces.
- (c) Do not operate the oven if it is damaged. It is particularly important that the oven door closes properly and that there is no damage to the:
  - (1) DOOR (bent)
  - (2) HINGES AND LATCHES (broken or loosened)
  - (3) DOOR SEALS AND SEALING SURFACES
- (d) The oven should not be adjusted or repaired by anyone except properly qualified service personnel.

### SPECIFICATIONS

Model:	EM-P495	EM-P692	EM-P892
Power Source:	AC 120 V, 60 Hz	AC 120 V, 60 Hz	AC 120 V, 60 Hz
Power Consumption:	1650W	1650W	1650W
Maximum Output:	1100W*	1100W*	1100W*
Oven Capacity:	1.1 cu. ft.	1.4 cu. ft.	1.9 cu. ft.
Turntable Diameter:	10- <sup>13</sup> / <sub>16</sub> "	12- <sup>5</sup> / <sub>8</sub> "	12- <sup>5</sup> / <sub>8</sub> "
Dimensions: (w x h x d)	20- <sup>11</sup> / <sub>16</sub> " x 11- <sup>3</sup> / <sub>8</sub> " x 16- <sup>11</sup> / <sub>16</sub> "	21- <sup>5</sup> / <sub>8</sub> " x 12- <sup>1</sup> / <sub>2</sub> " x 18"	23- <sup>7</sup> / <sub>16</sub> " x 14- <sup>1</sup> / <sub>4</sub> " x 17- <sup>15</sup> / <sub>16</sub> "
Weight: Approx.	35.5 lbs	41 lbs	44 lbs

Specifications subject to change without notice.

\*According to IEC-705 test procedures. The IEC-705 test procedure is an internationally recognized method of rating microwave wattage output.

#### Please record your product's information

When you call to request service, you need to know your complete Model number and Serial number. Please fill in the information below. Please also record purchase date, price and where purchased.

Model Number: \_\_\_\_\_ (Located on the inner left side of the control panel)

Serial Number: \_\_\_\_\_ (Located on the inner left side of the control panel)

Date of Purchase: \_\_\_\_\_

Purchase Price: \_\_\_\_\_

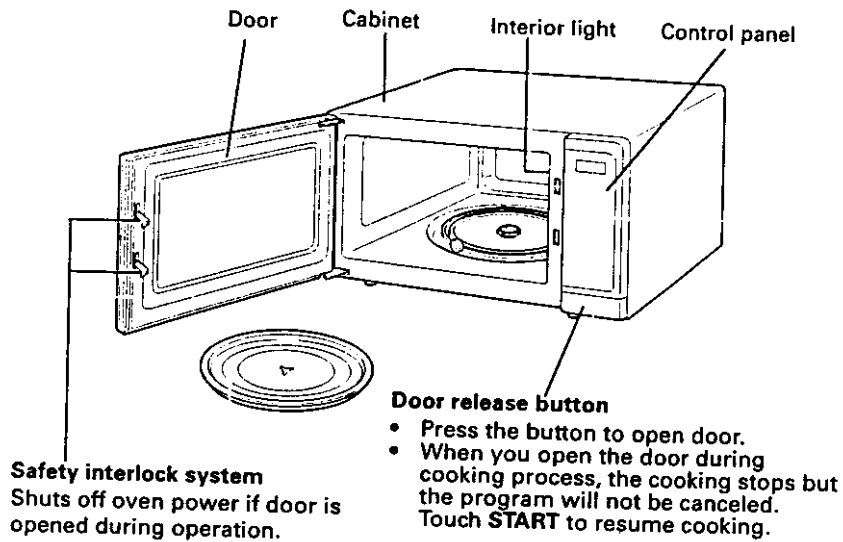
Where Purchased: \_\_\_\_\_

## SET UP

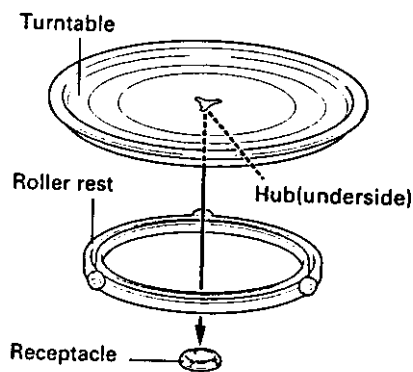
### NAMES OF OVEN PARTS AND ACCESSORIES

Remove the oven and all materials from the carton.  
Your oven comes with the following accessories:

Turntable	1
Turntable roller rest	1
Instruction Manual	1



### TURNTABLE INSTALLATION



1. Place the roller rest on the cavity bottom.
2. Place the turntable on top of the roller rest as shown in the diagram. Make sure the turntable hub is securely locked in the receptacle.

- **Never place the turntable upside down.** The turntable should never be restricted.
- Both turntable and roller rest must always be used during cooking.
- All food and containers of food are always placed on the turntable for cooking.
- **The turntable returns to its original starting position** when cooking is finished. The light and fan will remain on but microwave power is turned off.
- The turntable rotates clockwise and counterclockwise; this is normal.
- If turntable or roller rest cracks or breaks, contact your nearest authorized service center.

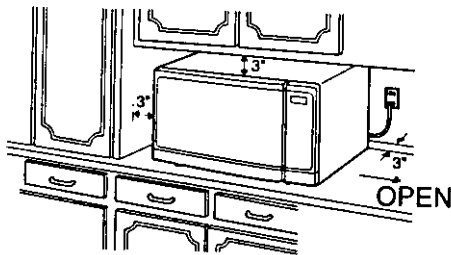
## INSTALLATION

Remove all packing material and accessories. Examine the oven for any damage such as dents or broken door. Do not install if oven is damaged.

**NOTE:** This unit is not designed for 50 Hz or any circuit other than a 120-volt/ 60-Hz AC circuit. This oven is designed for countertop installation.

### Countertop Installation

1. Select a level surface that provides enough open space for the intake and/or outlet vents.



A minimum clearance of 3 inches is required between the oven and any adjacent wall. One side must be open.

- Leave a minimum clearance of 3 inches above the oven.
  - Do not remove the legs from the bottom of the oven.
  - Blocking the intake and/or outlet openings can damage the oven.
  - Place the oven as far away from radios and T.V.'s as possible. Operation of microwave oven may cause interference to your radio or TV.
  - If the cabinet is covered with a protective film, remove the film.
2. Plug your oven into a standard 120-volt / 60-Hz household outlet. Be sure the electrical circuit is at least 15 amperes and that your microwave oven is the only appliance on the circuit.

**WARNING:** Do not install oven over a range cooktop or other heat-producing appliance. If installed near or over a heat source, the oven could be damaged and the warranty would be void.

SET UP