

Description of transmitted signal

A. Signal Format

1. Signal is output comply with following format.

One code consists of 5 words as SYNC code, COMMAND code, ADDRESS code, UPPER CRC, LOWER CRC and each word consists of 8 bit.

2. Each words are consisted as followings;

- SYNC code consists of all "1".
- COMMAND code consists of start bit "0", 6 bit of data and stop bit "1". Normally this code is output "02", but it is changed to "05" when user change ADDRESS code.
- ADDRESS code consists of start bit "0", 6 bit of data and stop bit "1". This code can be changed "00" to "09" by user.
- UPPER CRC consists of start bit "0", 6 bit of data and stop bit "1". 6 bit of data is decided first 6 bit of total 12 bit data which is obtained calculation of COMMAND code and ADDRESS code.
- LOWER CRC consists of start bit "0", 6 bit of data and stop bit "1". 6 bit of data is decided later 6 bit of total 12 bit data which is obtained calculation of COMMAND code and ADDRESS code.
- CRC means error check code for reduce transmitting error.
- Start bit means first bit of the word and stop bit means end bit of the word.

B. Signal Table

1. In case of COMMAND code "02" is as follows;

COMMAND code	ADDRESS code	UPPER CRC	LOWER CEC
02	00	2D	1F
	01	05	0A
	02	05	36
	03	2D	23
	04	04	0E
	05	2C	1B
	06	2C	27
	07	04	32
	08	07	3E
	09	2F	2B

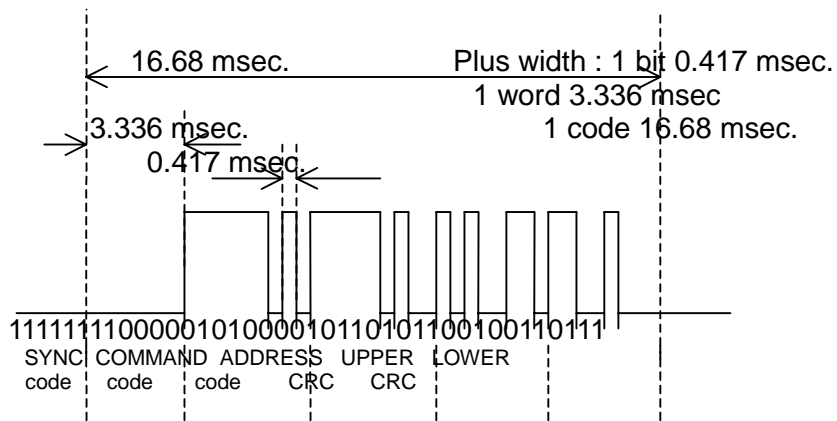
2. In case of COMMAND code "05" is as follows;

COMMAND code	ADDRESS code	UPPER CRC	LOWER CEC
05	00	0B	26
	01	23	33
	02	23	0F
	03	0B	1A
	04	22	37
	05	0A	22
	06	0A	1E
	07	22	0B
	08	21	07
	09	09	12

C. Signal wave form

The output level is that "1" is "L" (low) and "0" is "H" (high).

Example: Following wave form indicates output code "FF 02 05 2C 1B".



D. Carrier frequency

390 MHz

E. Modulation

Amplitude Modulation

F. Transmitting duration

Transmitting starts when user power on the TV/VCR combination then stop after 4.9 second automatically.