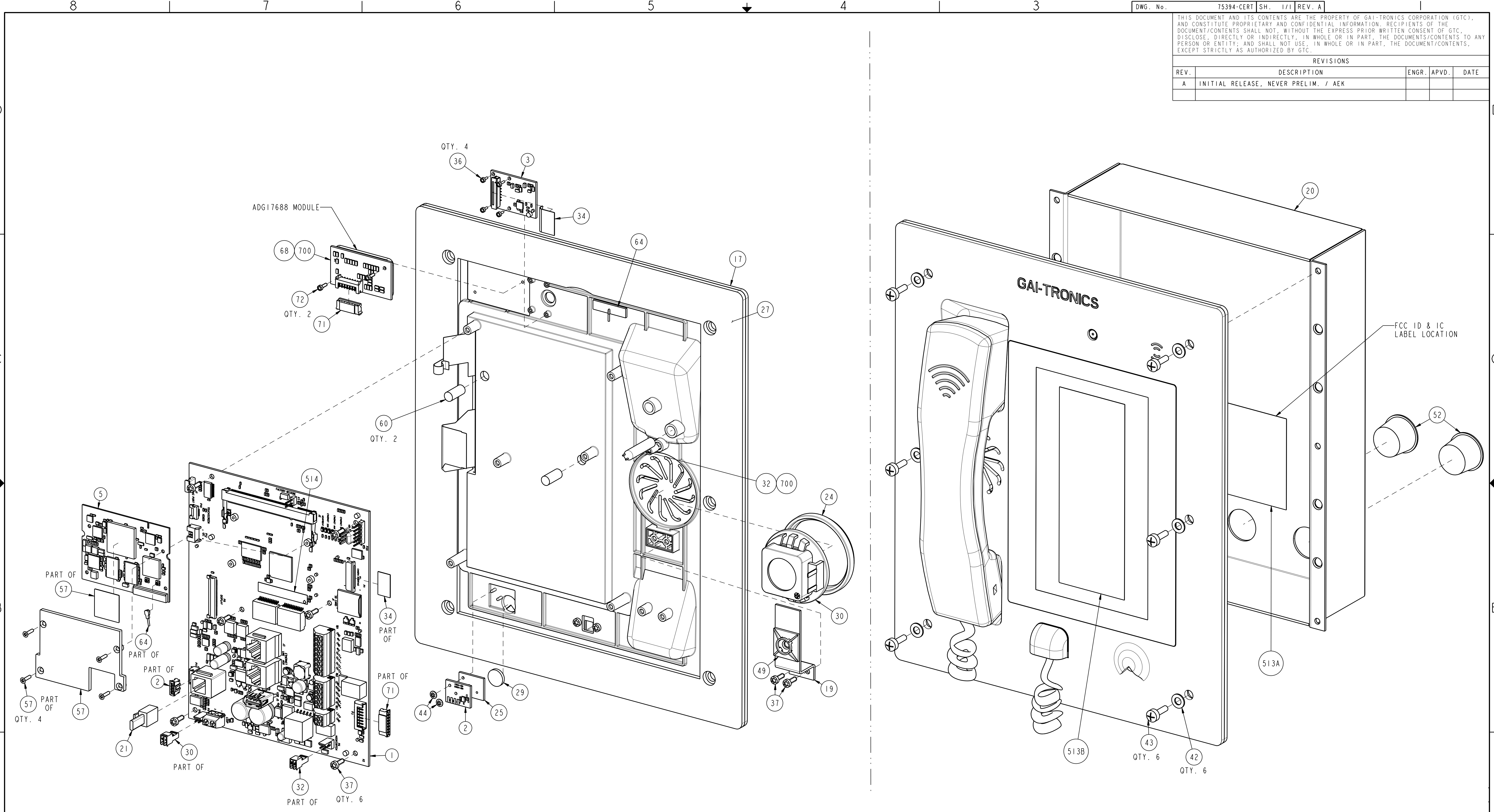


THIS DOCUMENT AND ITS CONTENTS ARE THE PROPERTY OF GAI-TRONICS CORPORATION (GTC), AND CONSTITUTE PROPRIETARY AND CONFIDENTIAL INFORMATION. RECIPIENTS OF THE DOCUMENT/CONTENTS SHALL NOT, WITHOUT THE EXPRESS PRIOR WRITTEN CONSENT OF GTC, DISCLOSE, DIRECTLY OR INDIRECTLY, IN WHOLE OR IN PART, THE DOCUMENTS/CONTENTS TO ANY PERSON OR ENTITY; AND SHALL NOT USE, IN WHOLE OR IN PART, THE DOCUMENT/CONTENTS, EXCEPT STRICTLY AS AUTHORIZED BY GTC.

REVISIONS				
REV.	DESCRIPTION	ENGR.	APVD.	DATE
A	INITIAL RELEASE, NEVER PRELIM. / AEK			



NOTES:  
 1. ITEM NUMBERS SHOWN CORRESPOND TO REFERENCE DESIGNATORS ON RELATED BILL(S) OF MATERIAL. SOME REFERENCE DESIGNATORS ON BILL(S) OF MATERIAL ARE NOT SHOWN ON THIS DRAWING.  
 2. UNIT MUST BE OPENED FOR SERVICE PERSON WIRING.

**CERTIFICATION DRAWING**

UNLESS OTHERWISE SPECIFIED DIMENSIONS ARE IN INCHES AND TOLERANCES ARE :		JOB DWG. No.		GAI-TRONICS® CORPORATION READING, PA 19607 USA	
FRACTIONS DECIMALS ANGLES ± 1/64 .XX ± .02 ± 1° .XXX ± .010		CONTRACT No.			
MATERIAL	APPROVALS	DATE	No. (P)GSC3(X)00(X)(X)(X)(X) FLUSH MOUNT HANDSET HUBCOM CERTIFICATION ASSEMBLY DRAWING		
FINISH	DRAWN AEK	11/26/19			
DO NOT SCALE DRAWING	ENGR.				
	APVD.		SIZE FSCM NO.	DWG. NO.	REV.
			D	75394-CERT	A
			SCALE 0.875	FILE No. 75394-CERT	SHEET 1/1