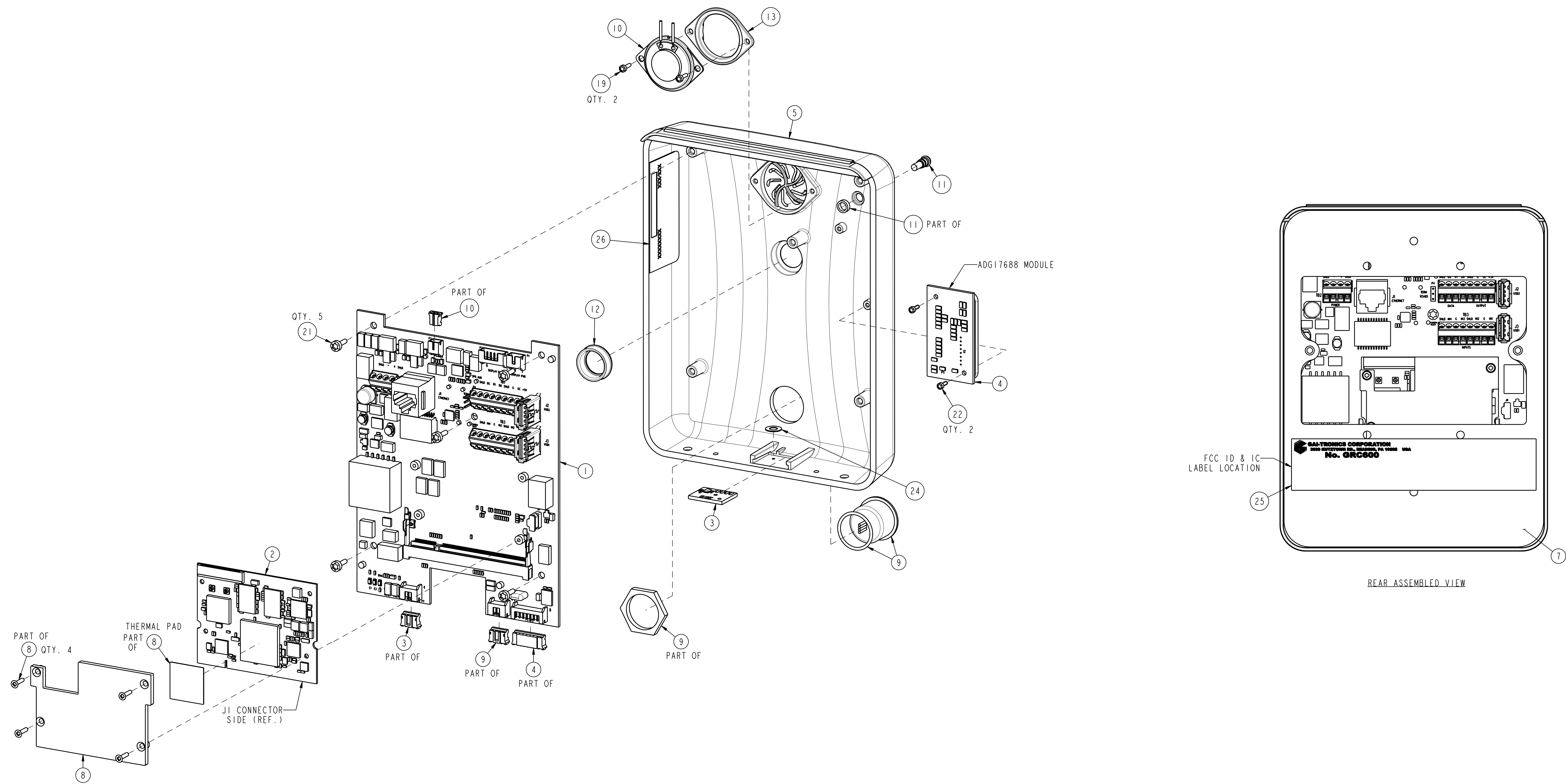


THIS DOCUMENT AND ITS CONTENTS ARE THE PROPERTY OF GAI-TRONICS CORPORATION (GTC), AND CONSTITUTE PROPRIETARY AND CONFIDENTIAL INFORMATION. RECIPIENTS OF THE DOCUMENT/CONTENTS SHALL NOT, WITHOUT THE EXPRESS PRIOR WRITTEN CONSENT OF GTC, DISCLOSE, DIRECTLY OR INDIRECTLY, IN WHOLE OR IN PART, THE DOCUMENTS/CONTENTS TO ANY PERSON OR ENTITY; AND SHALL NOT USE, IN WHOLE OR IN PART, THE DOCUMENT/CONTENTS, EXCEPT STRICTLY AS AUTHORIZED BY GTC.

REVISIONS				
REV.	DESCRIPTION	ENGR.	APVD.	DATE
A	INITIAL RELEASE, NEVER PRELIM. / AEK			



NOTES:  
 1. ITEM NUMBERS SHOWN CORRESPOND TO REFERENCE DESIGNATORS ON RELATED BILL(S) OF MATERIAL. SOME REFERENCE DESIGNATORS ON BILL(S) OF MATERIAL ARE NOT SHOWN ON THIS DRAWING.  
 2. UNIT MUST BE OPENED FOR SERVICE PERSON WIRING.

CERTIFICATION DRAWING

UNLESS OTHERWISE SPECIFIED DIMENSIONS ARE IN INCHES AND TOLERANCES ARE : FRACTIONS DECIMALS ANGLES ± 1/64 .XX ± .02 ± 1° .XXX ± .010	JOB DWG. No.		<b>GAI-TRONICS® CORPORATION</b> READING, PA 19607 USA No. GRC600 WALL MOUNT REMOTE HUBCOM CERTIFICATION ASSEMBLY DRAWING
	CONTRACT No.		
MATERIAL	APPROVALS	DATE	SIZE FSCM No. DWG. No. REV. D 75461-CERT A
FINISH	DRAWN AEK	11/26/19	
DO NOT SCALE DRAWING	ENGR.		SCALE 1.000 FILE No. 75461-CERT SHEET 1/1
	APVD.		