

**FURUNO**

***Installation Manual***  
***RADAR SENSOR***  
***MODEL DRS6A-NXT/DRS12A-NXT/***  
***DRS25A-NXT***

(Product Name: SOLID STATE DOPPLER RADAR)

**SAFETY INSTRUCTIONS** ..... i  
**SYSTEM CONFIGURATION** ..... iii  
**INSTALLATION SPECIFICATIONS** ..... iv  
**FOREWORD** ..... v  
**EQUIPMENT LISTS** ..... vi

**1. INSTALLATION AND WIRING** ..... 1  
1.1 Mounting Considerations ..... 1  
1.2 Included Items ..... 4  
1.3 Required Tools and Materials ..... 5  
1.4 Fastening the Radiator to the Radiator Bracket ..... 6  
1.5 Mounting the Antenna Unit ..... 8  
1.6 Wiring ..... 11

**2. INITIAL SETUP** ..... 15  
2.1 Initial Setup for TZT9/TZT14/TZTBB ..... 16  
2.2 Initial Setup for TZTL12F/TZTL15F ..... 18

**3. MAINTENANCE, TROUBLE SHOOTING** ..... 21  
3.1 Maintenance ..... 22  
3.2 Troubleshooting ..... 23  
3.3 Replacement of Fuse ..... 23  
3.4 Life of Parts ..... 24

**APPENDIX 1 RADIO REGULATORY INFORMATION** ..... AP-1  
**SPECIFICATIONS** ..... SP-1  
**PACKING LISTS** ..... A-1  
**OUTLINE DRAWINGS** ..... D-1  
**INTERCONNECTION DIAGRAM** ..... S-1

**NXT**



 **FURUNO ELECTRIC CO., LTD.**

[www.furuno.com](http://www.furuno.com)

All brand and product names are trademarks, registered trademarks or service marks of their respective holders.



# SAFETY INSTRUCTIONS

The installer of the equipment must read the safety instructions before attempting to install the equipment.

<b>WARNING</b>	Indicates a potentially hazardous situation which, if not avoided, can result in death or serious injury.
----------------	---

<b>CAUTION</b>	Indicates a potentially hazardous situation which, if not avoided, can result in minor or moderate injury.
----------------	--

Warning, Caution	Prohibitive Action	Mandatory Action
------------------	--------------------	------------------

<b>WARNING</b>
<b>Do not open the equipment unless you are well familiar with electrical circuits.</b> Only qualified personnel should work inside the equipment.
<b>Do not disassemble or modify the equipment.</b> Fire, electrical shock or serious injury can result.
<b>Wear a safety belt and hard hat when working on the antenna unit.</b> Serious injury or death can result if someone falls from the radar mast.
<b>Construct a suitable service platform from which to install the antenna unit.</b> Serious injury or death can result if someone falls from the radar mast.
<b>Turn off the power at the switchboard before beginning the installation.</b> Fire or electrical shock can result if the power is left on.

<b>WARNING</b>
<b>Keep the objects away from the antenna unit, so as not to impede rotation of the antenna.</b> Fire, electrical shock or serious injury can result.
<b>Be sure that the power supply is compatible with the voltage rating of the equipment.</b> Connection of an incorrect power supply can cause fire or damage the equipment.
<b>Use only the specified power and signal cable.</b> Fire or damage to the equipment can result if a different cable is used.
<b>Use the proper fuse.</b> Use of a wrong fuse can damage the equipment or cause fire.
<b>Do not depend one navigation device for the navigation of the vessel.</b> For the safety of vessel and crew, the navigator must check all aids available to confirm position.

**⚠ WARNING**

**⚠** The radar antenna emits electromagnetic radio frequency (RF) energy which can be harmful, particularly to your eyes. Never look directly into the antenna aperture from a close distance while the radar is in operation or expose yourself to the transmitting antenna at a close distance.

Distances at which RF radiation levels of 100, 50 and 10 W/m<sup>2</sup> exist are given in the table below.

**DRS6A-NXT**

Radiator	100 W/m <sup>2</sup>	50 W/m <sup>2</sup>	10 W/m <sup>2</sup>
XN10A	N/A	N/A	0.7 m
XN12A	N/A	N/A	0.6 m
XN13A	N/A	N/A	0.4 m

**DRS12A-NXT**

Radiator	100 W/m <sup>2</sup>	50 W/m <sup>2</sup>	10 W/m <sup>2</sup>
XN12A	0.2 m	0.5 m	1.9 m
XN13A	0.15 m	0.4 m	1.8 m

**DRS25A-NXT**

Radiator	100 W/m <sup>2</sup>	50 W/m <sup>2</sup>	10 W/m <sup>2</sup>
XN12A	0.3 m	0.47 m	2.8 m
XN13A	0.2 m	0.3 m	2.65 m

**⚠ CAUTION**

**⚠** Ground the equipment to prevent mutual interference.

**⚠** It is recommended that you connect the antenna unit to a disconnecting device (circuit breaker, etc.) to control the power.

**⚠** Observe the following compass safe distances to prevent deviation of a magnetic compass:

Unit	Standard compass	Steering compass
DRS6A-NXT	0.70 m	0.40 m
DRS12A-NXT	0.70 m	0.40 m
DRS25A-NXT	0.70 m	0.40 m

**⊘** Do not use high-pressure cleaners to clean this equipment.

This equipment has the waterproof rating outlined in the specifications, at the back of this manual. However, the use of high-pressure cleaning equipment can cause water ingress, resulting in damage to, or failure of, the equipment.

### WARNING LABEL

A warning label is attached to the antenna unit. Do not remove the label. If the label is missing or damaged, contact your dealer about replacement.

⚠ WARNING ⚠	⚠ 警告 ⚠
To avoid electrical shock, do not remove cover. No user-serviceable parts inside.	感電の恐れあり。サービスマン以外の方はカバーを開けないで下さい。内部には高電圧部分が数多くあり、万一さわると危険です。

Name: Warning Label (2)  
 Type: 03-129-1001-3  
 Code No: 100-236-743

### Importer in Europe

The following concern acts as our importer in Europe, as defined in DECISION No 768/2008/EC.

- Name: FURUNO EUROPE B.V.
- Address: Ridderhaven 19B, 2984 BT Ridderkerk, The Netherlands

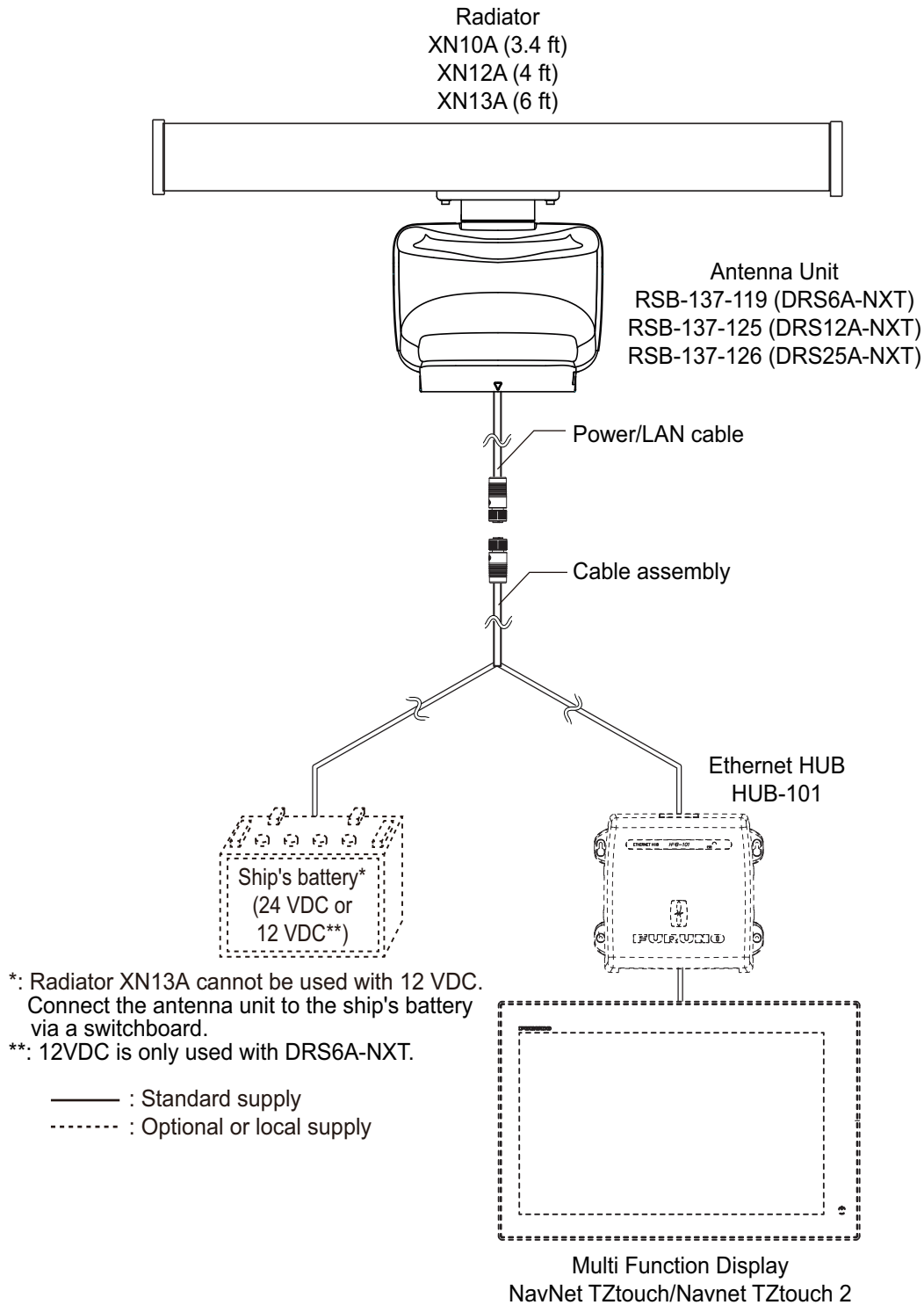
### Program No.

- 0359423-01.\*\*
- \*\* denotes minor modifications.

### CE declarations

With regard to CE declarations, please refer to our website ([www.furuno.com](http://www.furuno.com)), for further information about RoHS conformity declarations.

# SYSTEM CONFIGURATION



This radar series is compatible with the FURUNO Multi Function Displays and software version combinations shown below. The combination with other models or software versions may not operate properly.

- TZT9, TZT14 and TZTBB: Version 6.01 or later  
 TZTL12F and TZTL15F: Version 6.01 or later

# INSTALLATION SPECIFICATIONS

**Note 1:** 12VDC is only used with DRS6A-NXT.

**Note 2:** DO NOT USE 15 A fuse for 24 VDC. Use of a wrong fuse can damage the equipment or cause fire.

**Voltage of Ship’s Main and Usable Radiator**

Supply Voltage	Radiator		
	XN10A	XN12A	XN13A
12 VDC	OK	OK	Not available
24 VDC	OK	OK	OK

**Voltage of Ship’s Main and Usable Cable Length**

Supply Voltage	Cable Length			
	10 m	15 m	20 m	30 m
12 VDC	OK	Not available	Not available	Not available
24 VDC	OK	OK	OK	OK

**Voltage of Ship’s Main and Fuse to be used**

Supply Voltage	Cable Length			
	10 m	15 m	20 m	30 m
12 VDC	15 A	Not available	Not available	Not available
24 VDC	10 A	10 A	10 A	10 A

# FOREWORD

---

## A Word to the Owner of the DRS6A-NXT/DRS12A-NXT/DRS25A-NXT Marine Radar

Congratulations on your choice of the FURUNO DRS6A-NXT/DRS12A-NXT/DRS25A-NXT Marine Radar. We are confident you will see why the FURUNO name has become synonymous with quality and reliability.

Since 1948, FURUNO Electric Company has enjoyed an enviable reputation for innovative and dependable marine electronics equipment. This dedication to excellence is furthered by our extensive global network of agents and dealers.

Your equipment is designed and constructed to meet the rigorous demands of the marine environment. However, no machine can perform its intended function unless properly installed and maintained. Please carefully read and follow the operation and maintenance procedures set forth in this manual.

We would appreciate feedback from you, the end-user, about whether we are achieving our purposes.

Thank you for considering and purchasing FURUNO equipment.

## Features

- TARGET ANALYZER\* function displays targets which are moving and getting close to own ship in red, other targets in green and rain clutter in blue. Speed analyzing range is  $\pm 50$  kn.  
\* Requires a GPS sensor. When you change the setting of [Target Analyzer Mode] to [Rain], rain clutter is displayed.
- AUTO TARGET ACQUIRE function automatically acquires only the targets which are moving and getting close to own ship within the range of 3 NM by Doppler calculation. Automatic Doppler function will be activated when there is a target which approaches own ship with a speed of over 3 kn.  
**Note:** The judged speed of target is dependent on its vector towards own ship.
- The azimuth resolution can be enhanced to as high as twice with using the RezBoost function.  
**Note 1:** RezBoost function reflects the settings of [Antenna Length] which are introduced in page 17 and page 19.  
**Note 2:** Refer to the Operator's Manual for your Multi Function Display regarding the above newfunctions.
- Instant ON function. This radar sensor does not have a magnetron, therefore preheating of the magnetron is unnecessary.
- Reduced electricity emission means no need to worry about the radiation hazard.
- Magnetron-less radar means no periodic replacement of magnetron or related parts.
- The maximum display range is 72NM (6A), 96NM (12A/25A) in the single range mode.
- ARPA (Automatic Radar Plotting Aid) function applicable range is 24 NM at the maximum.
- Dual Range Mode has the following limitations.
  - The maximum display range is 12 NM (6A), 96NM (12A/25A).
  - The maximum detection range is reduced a maximum of 20% compared to the single display.

# EQUIPMENT LISTS

## Standard supply

Name	Type	Code No.	Qty	Remarks
Scanner Unit	RSB-137-119	-	1	For DRS6A-NXT
	RSB-137-125	-		For DRS12A-NXT
	RSB-137-126	-		For DRS25A-NXT
Radiator	XN10A	-	1	3.4 ft
	XN12A	-		4 ft
	XN13A	-		6 ft
Installation Materials	CP03-37101	001-426-290	1	For scanner unit
	CP03-22901	008-523-690	1	For radiator
	CP03-37700	000-033-452	1	Cable assembly (10 m)
	CP03-37710	000-033-453		Cable assembly (15 m)
	CP03-37720	000-033-454		Cable assembly (20 m)
	CP03-37730	000-033-455		Cable assembly (30 m)
Spare Parts	SP03-19101	000-477-060	1	Fuses (10 A, 15 A and 20 A)

## Optional supply

Name	Type	Code No.	Remarks
LAN Cable	MOD-Z072-020+	001-167-880-10	2 m
	MOD-Z072-050+	001-167-890-10	5 m
	MOD-Z072-100+	001-167-900-10	10 m
Joint Box	TL-CAT-012	000-167-140-10	For LAN cable extension

# 1. INSTALLATION AND WIRING

## NOTICE

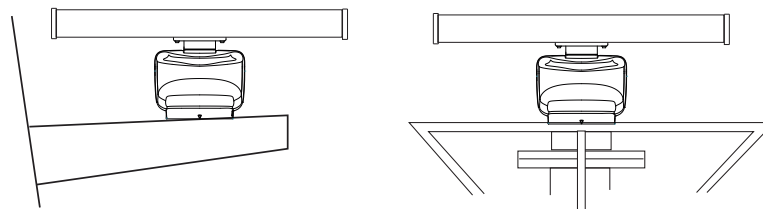
**Do not apply paint, anti-corrosive sealant or contact spray to coating or plastic parts of the equipment.**

Those items contain organic solvents that can damage coating and plastic parts, especially plastic connectors.

## 1.1 Mounting Considerations

Select a mounting location, keeping in mind the following points:

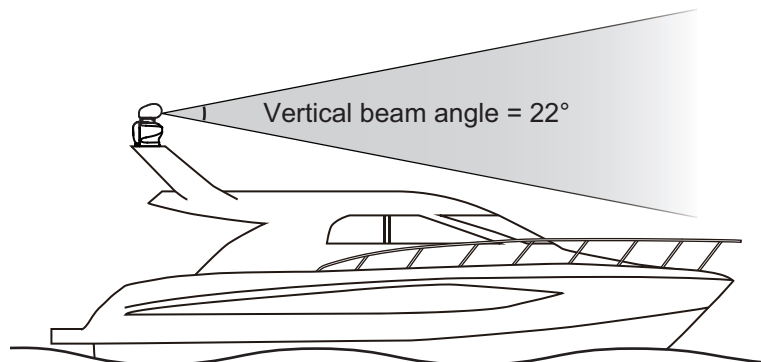
- Install the antenna unit on the hardtop, radar arch or on a mast on an appropriate platform.



(a) Common mast

(b) Radar mast

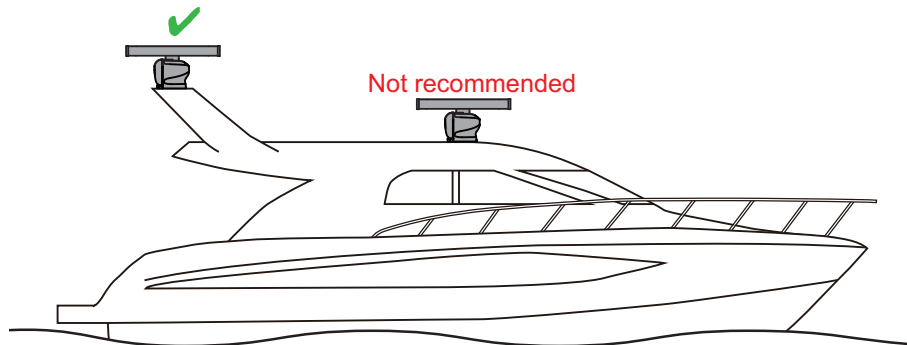
- Locate the antenna where there is a good all-round view. Where possible, there should be no obstructions to the scanning beam such as superstructure or rigging. Obstructions cause shadow sectors and decrease the overall performance of the radar. The loss of performance can cause false echoes and reduce the quality of the observed images. A mast for instance, with a diameter considerably less than the horizontal beam width of the radiator, will cause only a small shadow sector. However, a horizontal spreader, or cross trees in the same horizontal plane as the antenna unit, would be a much more serious obstruction. You would need to place the antenna unit well above or below it. Be sure there are no metallic objects near the antenna.



- It is rarely possible to place the antenna unit where a completely clear view in all directions is available. After fitting the antenna, determining any shadow sectors, their angle and bearing, and their influence on the radar is recommended.



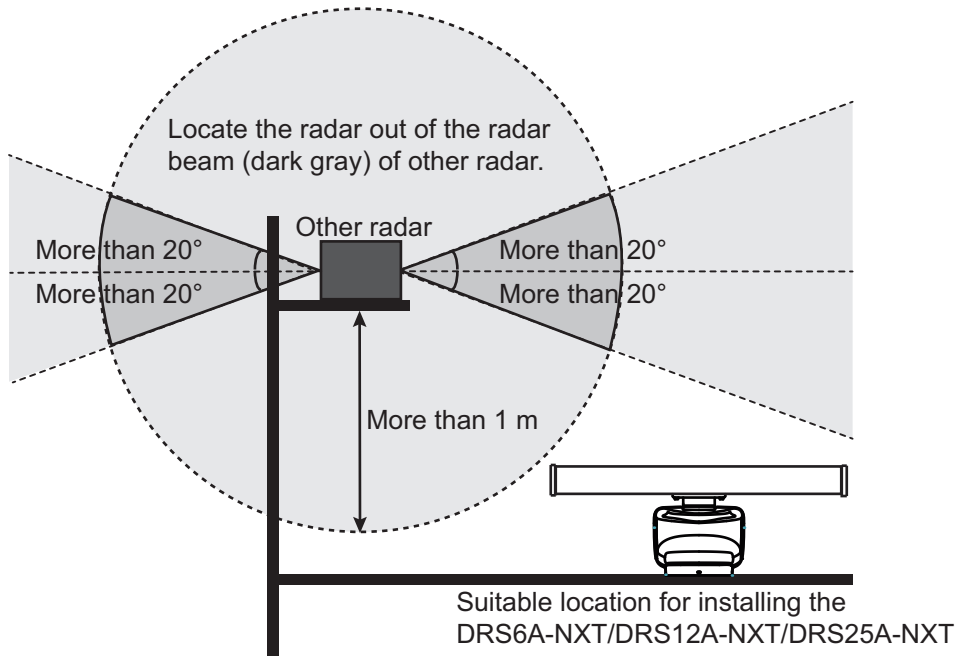
- In order to reduce electrical interference, avoid routing the power cable near other electrical equipment on-board. Also, avoid running the cable in parallel with other power cables.
- It is not recommended to install the antenna unit on the hardtop of a cabin. Vibrations from the antenna unit will pass through the hardtop and into the cabin.



- Setup the antenna unit position on the FURUNO Multi Function Display after installing the unit, referring to chapter 2. If the antenna unit position is not setup correctly, the radar echoes on the display may not be aligned with the actual target's bearing.
- Select a location that does not allow water to accumulate at the installation location.
- A magnetic compass will be affected if the antenna unit is too close to the compass. Observe the compass safe distances mentioned in the SAFETY INSTRUCTIONS to prevent interference to a magnetic compass.
- To ensure proper emission of radar waves, do not paint the radiator.
- Referring to the outline drawings at the back of this manual, allow space for maintenance and service.
- When this antenna unit is to be installed on a large vessel, consider the following points:
  - The supplied cable assembly runs between the antenna unit and display (or ethernet HUB) and comes in lengths of 10 m, 15 m, 20 m or 30 m. Select the appropriate length when purchasing.
  - Deposits and fumes from a funnel or other exhaust vent can adversely affect the aerial performance and hot gases may distort the antenna unit. The antenna unit must not be mounted where the temperature is more than 55°C (131°F).

**Consideration for selecting a location for installation (multiple radars)**

- In case multiple radars are installed on a ship, DO NOT install the DRS6A-NXT/DRS12A-NXT/DRS25A-NXT within the range of the beam area emitted from other radar(s). Use the illustration below for reference when selecting a suitable location for installation. The Solid State Device (SSD) inside the DRS6A-NXT/DRS12A-NXT/DRS25A-NXT will be damaged if it is within the radar beam emission area from other radars.



**Installation with the radiotelephone equipment**

- Install the open antenna away from radio communication antennas (SSB, VHF, Inmarsat) and GPS antennas to prevent radar interference.
- Install the open antenna away from the radiotelephone equipment so that electrical noise does not affect the radiotelephone equipment.

**Cable routing**

- In order to reduce the chance of picking up electrical interference, avoid, where possible, routing the power/LAN cable and cable assembly near other electrical equipment on-board. Also, avoid running the cable in parallel with other electrical cables.
- Make sure that the power/LAN cable does not run horizontally with the cable assembly and it is placed away from the cables carrying radio signal and antennas.

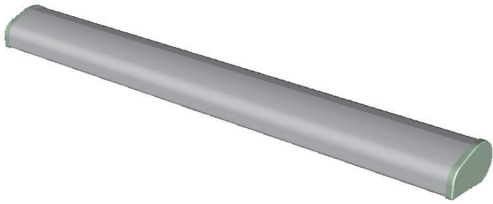


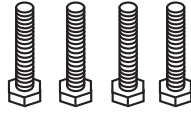


**For large vessels**

- When this radar sensor is to be installed on a large vessel, consider the following points:
  - The length of the pre-attached power/LAN cable is 1 m from the open antenna to the connector.
  - Deposits and fumes from a funnel or other exhaust vent can adversely affect the aerial performance and hot gases may distort the radiator portion. The radar sensor must not be mounted where the temperature is more than 55°C (131°F).

## 1.2 Included Items




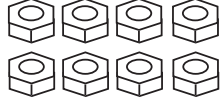

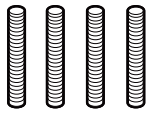
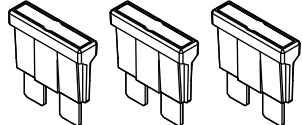
**Radiator**

- Radiator\* (1 pc):  
3.4 ft, 4 ft or 6 ft
- Flat washer (M8, 4 pcs)
- Spring washer (M8, 4 pcs)
- Hex. bolt (M8×30, 4 pcs)
- O-ring (1 pc)
- Adhesive (1 pc)









**Scanner Unit**

- Scanner Unit (1 pc)
- Flat washer (M12, 4 pcs)
- Spring washer (M12, 4 pcs)
- Hex nut (M12, 8 pcs)
- Insulation sheet (4 pcs)
- Stud bolt (M12×70, 4 pcs)
- Fuses (3 pcs)
- Documents (1 set)

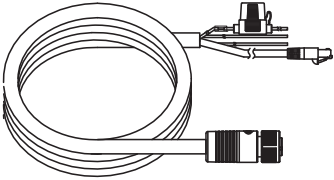
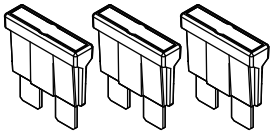
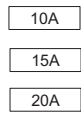
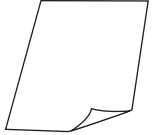








10 A: Used in most cases.  
15 A: Only for 10 m cable with 12 VDC.  
20 A: Not used.



**Cable assembly**

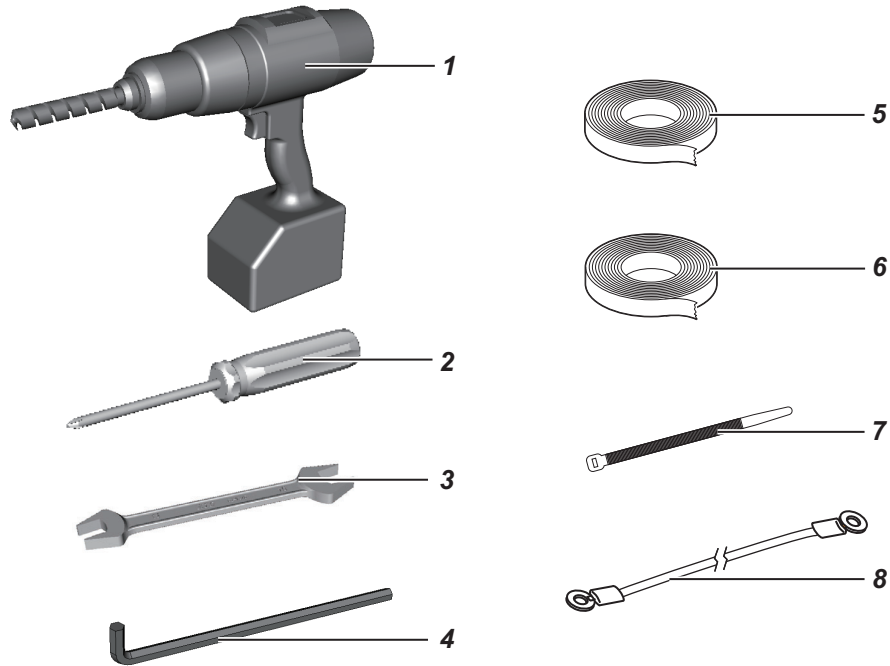
- Cable assembly\* (1 pc):  
10 m, 15 m, 20 m or 30 m
- Fuses  
10 A: Used in most cases.  
15 A: Only for 10 m cable with 12 VDC.  
20 A: Not used.
- Labels  
10 A: Used in most cases.  
15 A: Only for 10 m cable with 12 VDC.  
20 A: Not used.
- Document  
How to Replace the Fuse (1 pc)

\*: Select the appropriate length when purchasing.

### 1.3 Required Tools and Materials

The following tools should be prepared in advance for this installation.

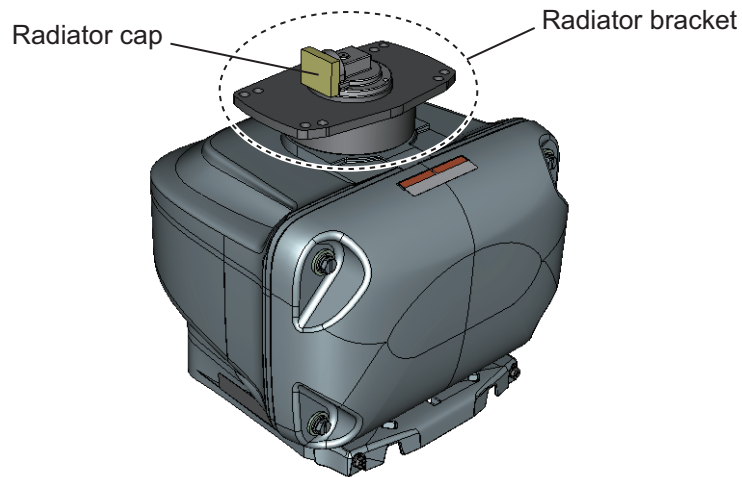


No.	Name	Remarks
1	Electrical drill	For making the mounting holes, drill bit: $\phi$ 15 mm
2	Phillips-head screw driver	#3, for securing the cable cover
3	Wrench	For M8 (Hex. size 13 mm) and M12 (Hex. size 19 mm)
4	Hex. L-wrench	For fastening the stud bolts (Hex. size 6 mm)
5	Self-vulcanizing tape	For waterproofing the junction of connectors
6	Vinyl tape*	
7	Cable tie	For securing the cables
8	Ground wire	IV-2sq

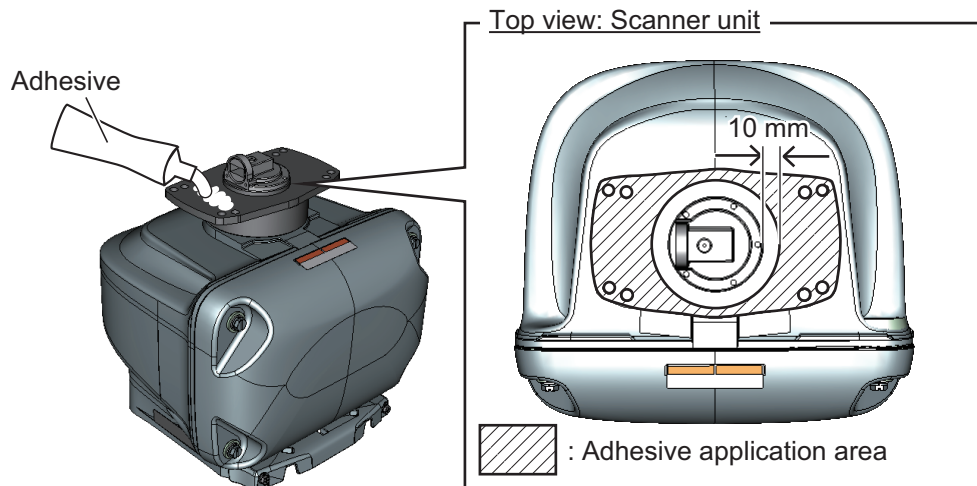
\*: For cosmetic purposes, black color vinyl tape (cable color) is recommended.

## 1.4 Fastening the Radiator to the Radiator Bracket

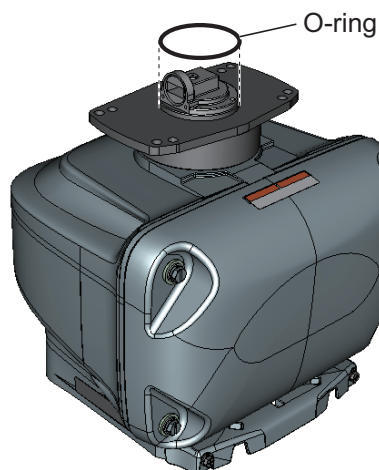
1. Remove the radiator cap from the radiator bracket.



2. Apply adhesive to the surface of the radiator bracket as shown in the figure below.

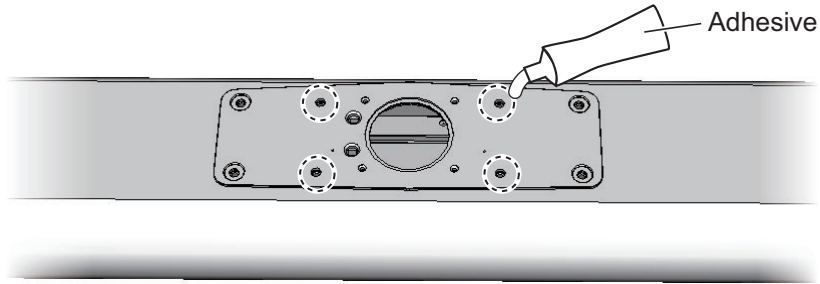


3. Set the O-ring to the radiator bracket.



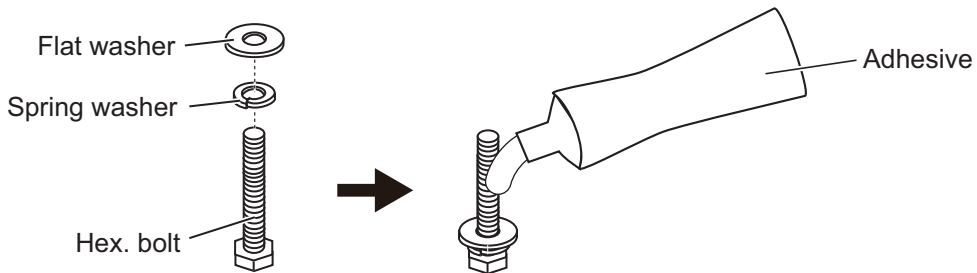
1. INSTALLATION AND WIRING

4. Apply adhesive to the thread holes on the bottom of the radiator (4 locations).



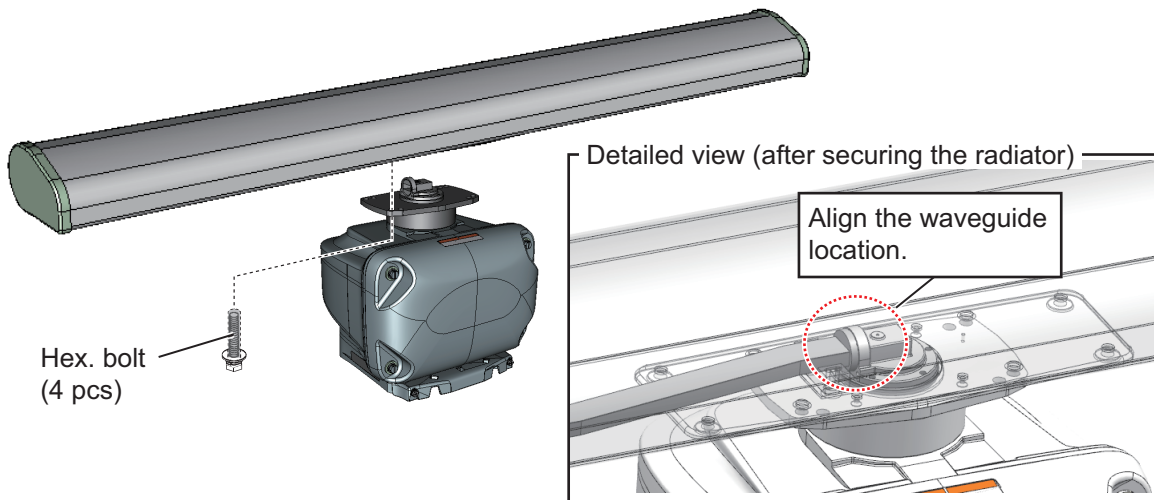
Bottom view: Radiator

5. Prepare four bolt assemblies; pass the spring washer (M8) and flat washer (M8) through the each hex bolt (M8×30) then apply adhesive.

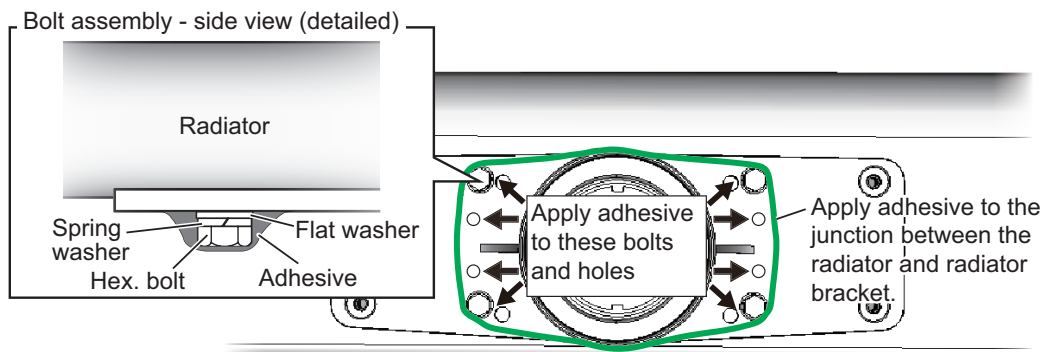


6. Fasten the radiator to the radiator bracket, using the four bolt assemblies prepared at step 5.

**Note:** Be sure to align the waveguide location between the radiator and radiator bracket before fastening bolt assemblies.



7. Apply adhesive to the holes and bolts at the locations indicated with arrows in the figure below. Also apply adhesive to the junction between the radiator and the radiator bracket.



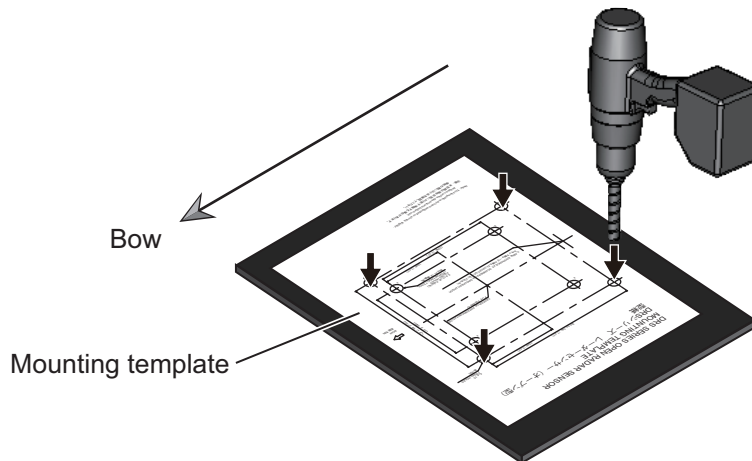
Radiator - bottom view

## 1.5 Mounting the Antenna Unit

The antenna unit can be mounted using the fixing holes on the outside (200 × 200 mm) or inside (140 × 150 mm) the antenna unit. Normally, use the outside fixing holes. When 140 × 150 mm fixing holes already exist on the mounting platform, use the inside fixing holes.

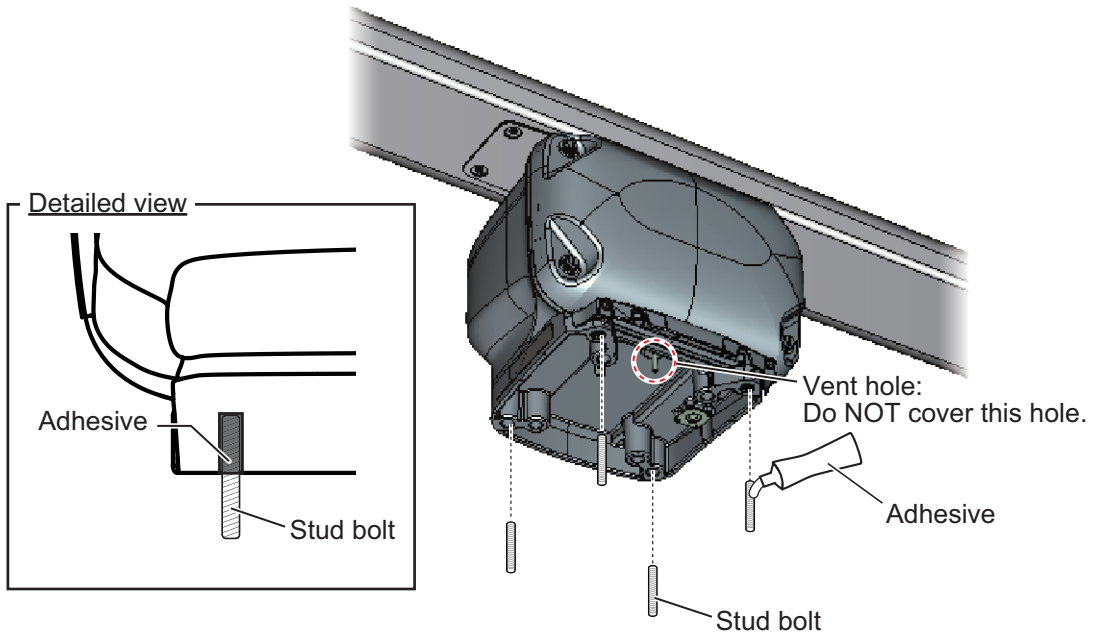
1. Set the supplied mounting template to the mounting location, then drill four fixing holes in the mounting location.

**Note:** The holes must be parallel with the fore and aft line.



2. Apply adhesive to the thread of the stud bolts (M12×70, 4 pcs).  
**Note:** Apply adhesive to the part of the bolt threads that are inside the bolt hole (see the figure at step 3).
3. Insert four stud bolts into the threaded holes in the antenna unit.  
The stud bolts must make contact with the bottom of the threaded holes.  
**Note:** Do NOT cover the vent hole at the bottom of the unit.

# 1. INSTALLATION AND WIRING



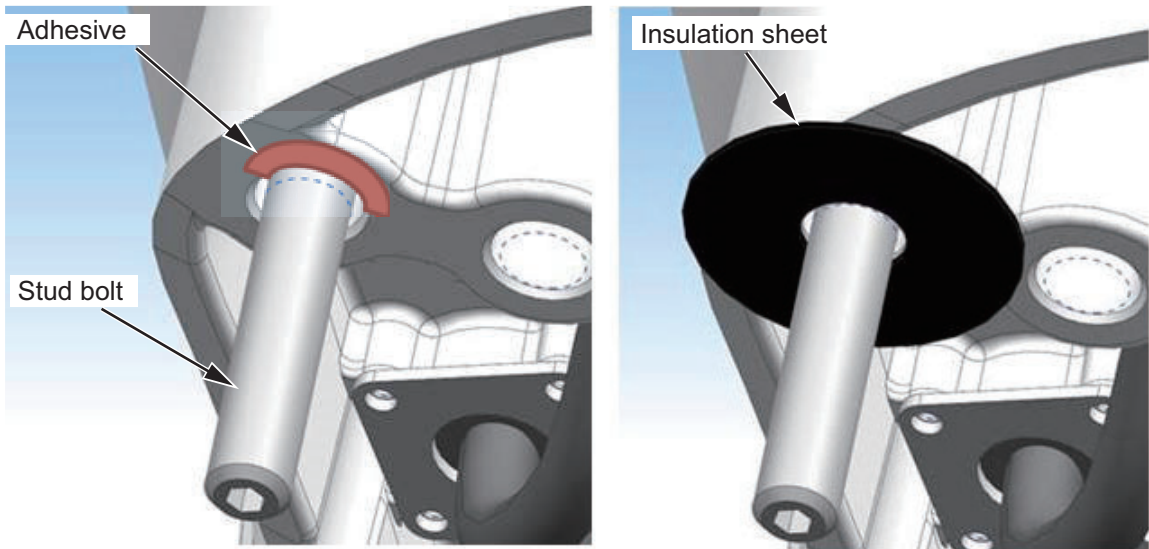
**NOTICE**

**Do not fasten stud bolts tightly after the bolts contact with the bottom of the threaded holes.**

If the bolts are fastened excessively, the chassis bottom may be damaged which can result in malfunction.

The projected bolt length after the bolts contact with the bottom of the threaded holes is approx. 50 mm. This data is for reference purpose only.

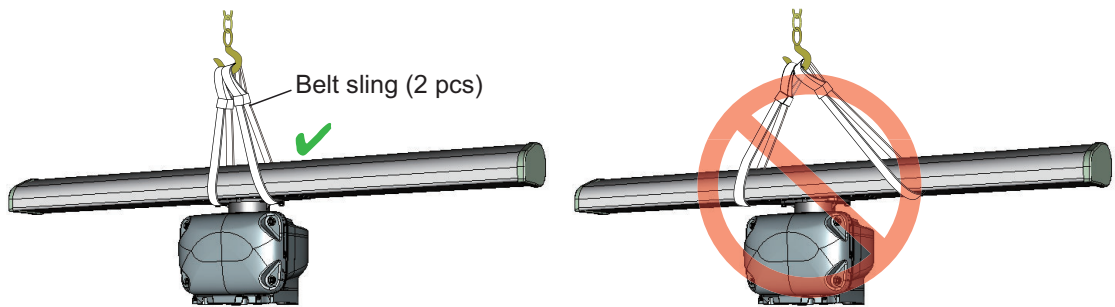
- 4. Apply adhesive around the base of the four stud bolts.
- 5. Set the insulation sheet (supplied) to the four stud bolts.



- 6. Hoist the antenna unit to the installation location, using two belt slings.
- Note:** When you hoist the antenna unit. keep in mind the following points:



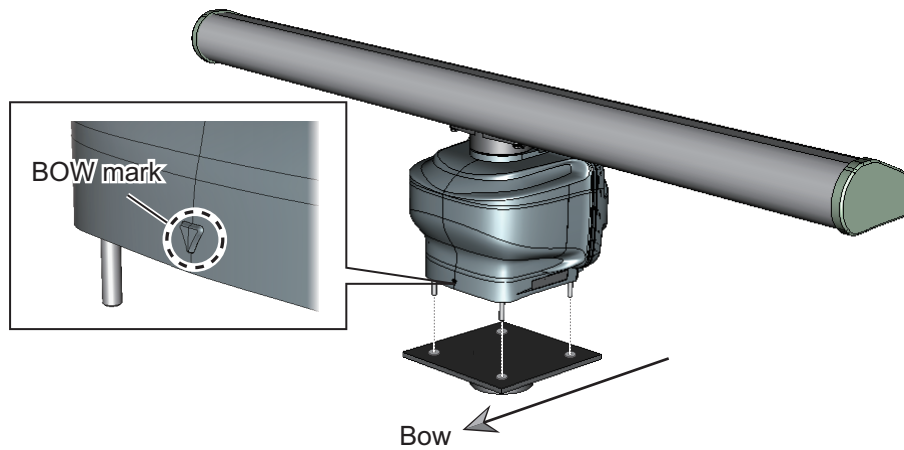
- When you hoist the antenna unit, set two belt slings to the radiator bracket. Do not set the belt slings to the radiator, the radiator may get damaged.



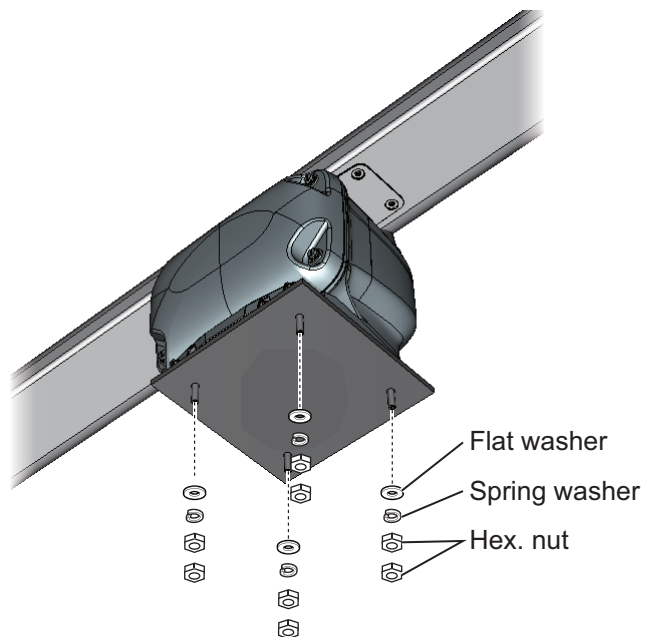
**OK:** Belt slings are set to the radiator bracket. **WRONG:** Belt slings are set to the radiator.

- Hoist the antenna unit slowly. If the antenna unit is hoisted too quickly, the bracket can be damaged.

7. Place the antenna unit on the mounting platform with the BOW mark on the unit aligned with the ship's bow.

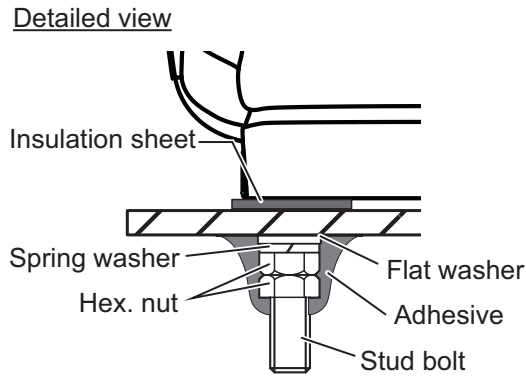


8. Secure the antenna unit, using the supplied flat washers (M12, 4 pcs), spring washers (M12, 4 pcs), and hex. nuts (M12, 8 pcs).



## 1. INSTALLATION AND WIRING

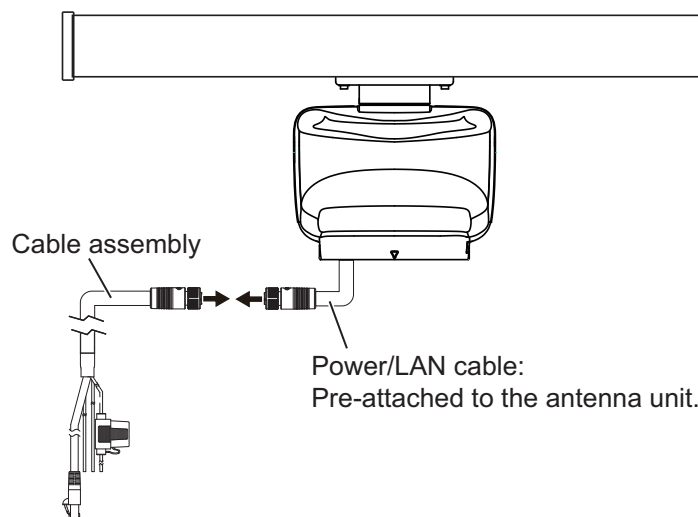
9. Apply adhesive to the flat washers, spring washers, and hex. nuts.



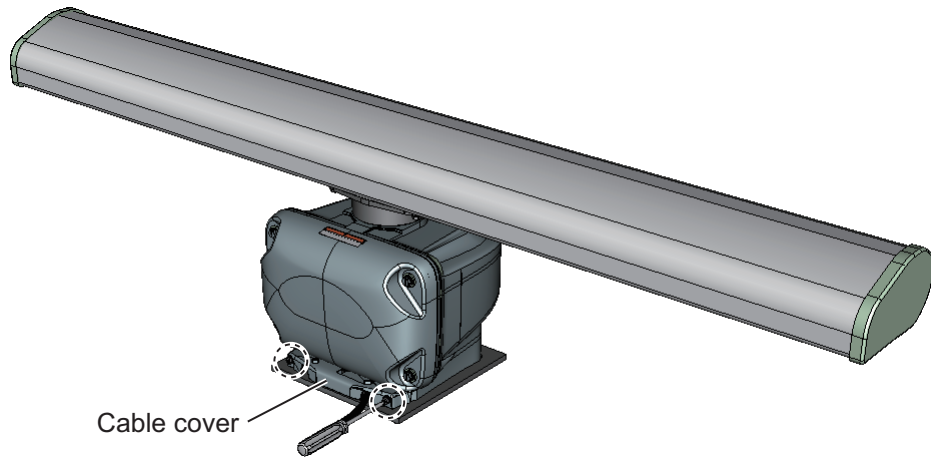
## 1.6 Wiring

### Wiring considerations

- Turn the power at the switchboard off before beginning the wiring.
- Insert the 10 A fuse to the fuse holder (supplied with the cable assembly) when installing with 15 m, 20 m and 30 m cables. When installing with 10 m cables, the fuse to be used will be different according to the voltage of ship's main. Use the 15 A fuse for 12 VDC ship's main. Use the 10 A fuse for 24 VDC ship's main. Also, attach the supplied fuse rating label to the fuse holder. For details, see "How to Replace the Fuse" (C32-01604).
- The cable assembly and power/LAN cables have connector(s). Do NOT cut the cable assembly and power/LAN cables even if the cables are run through a radar mast.
- When you replace the DRS4A/6A/12A/25A with the DRS6A-NXT/DRS12A-NXT/DRS25A-NXT, the existing cable cannot be used. Use only the cable assembly supplied with this radar sensor.

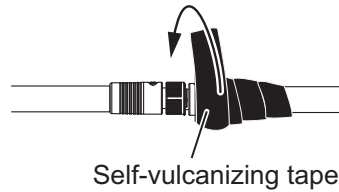


1. Unfasten two screws, circled in the following figure, to remove the cable cover.

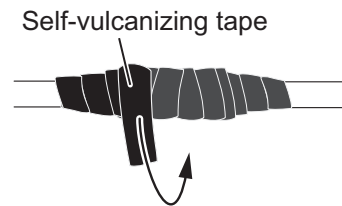


2. Connect the cable assembly (supplied) to the power/LAN cable that is pre-attached to the antenna unit.
3. Wrap the junction of the connectors with self-vulcanizing tape and vinyl tape (local supply) for waterproofing as follows:

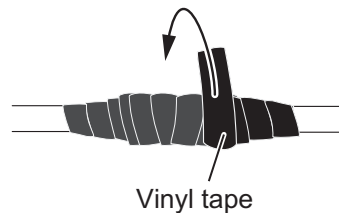
- 1) Wrap the junction of the connectors with one layer of self-vulcanizing tape.



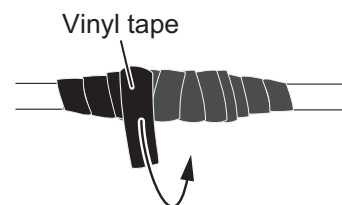
- 2) Change wrap direction and wrap one layer of the self-vulcanizing tape again.



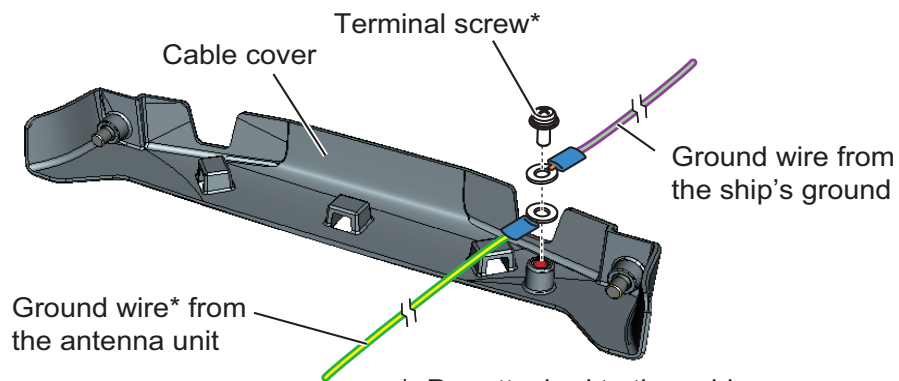
- 3) Wrap one layer of the vinyl tape over the self-vulcanizing tape.



- 4) Change wrap direction and wrap one layer of the vinyl tape again.



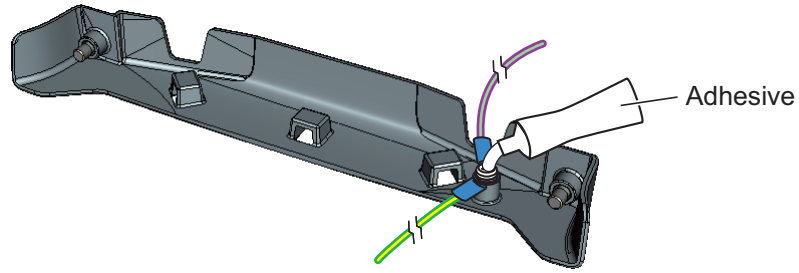
4. As shown in the figure below, secure the ground wire from the ship's ground (IV-2sq, local supply) and ground wire from the antenna unit, using the terminal screw (M4x10) that is pre-attached to the cable cover.



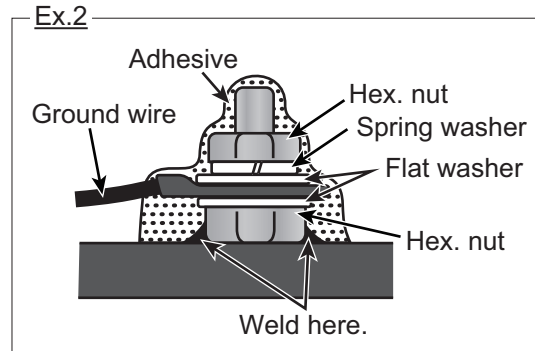
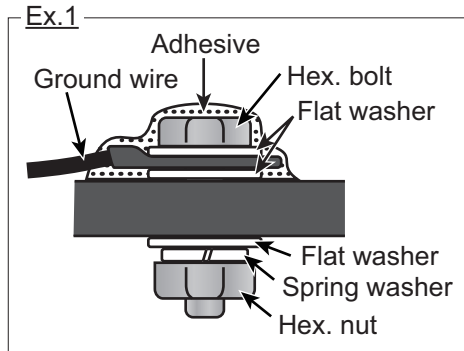
\*: Pre-attached to the cable cover.

# 1. INSTALLATION AND WIRING

5. Apply adhesive to the ground terminal after fastening the terminal screw.

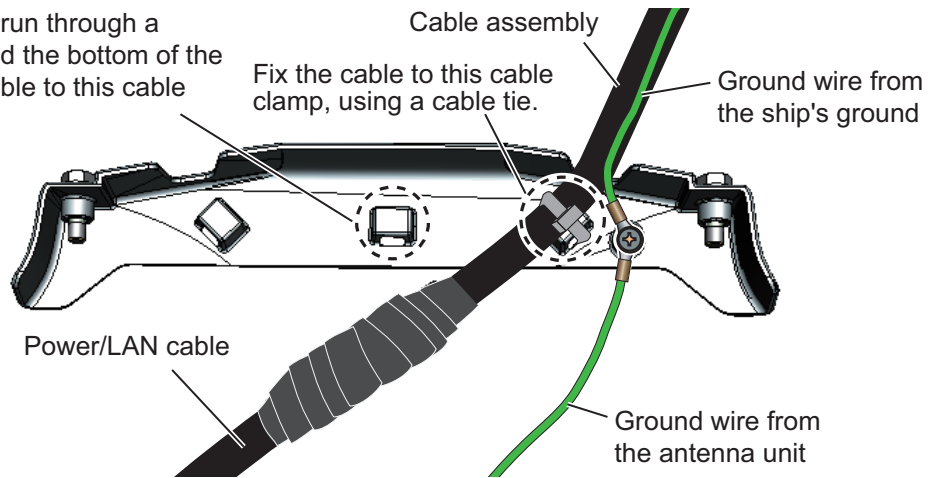


6. Secure the ground wire to the ship's ground.  
The figures shown below are examples for grounding.



7. Secure the cable assembly to the cable cover with the cable ties (local supply) as shown in the figure below.

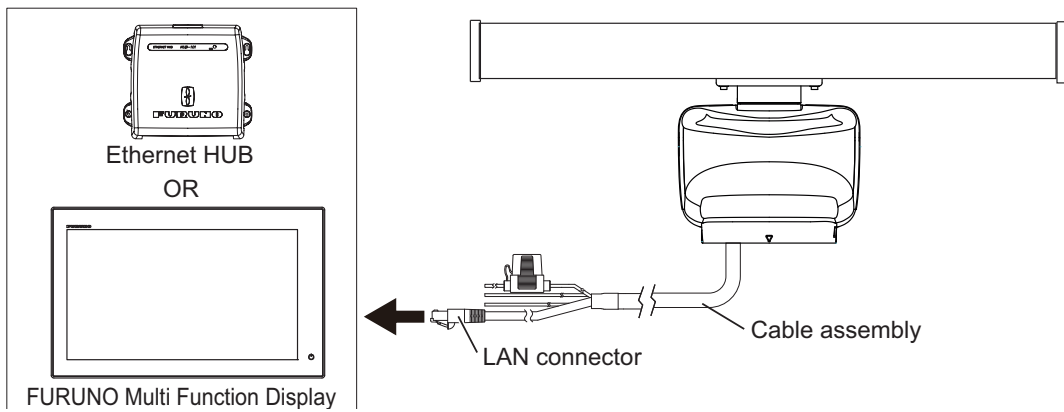
If the cable is run through a radar mast and the bottom of the unit, fix the cable to this cable clamp.



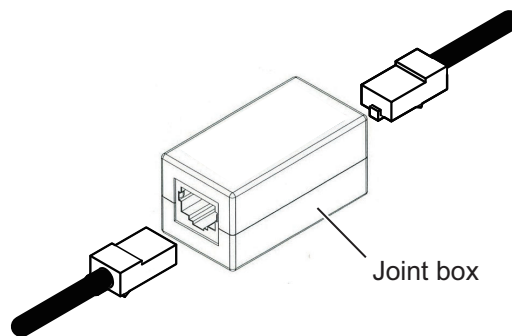
Cable cover - bottom view

8. Reattach the cable cover.
9. Connect the LAN connector of the cable assembly to a LAN port on the FURUNO Multi Function Display or Ethernet HUB.

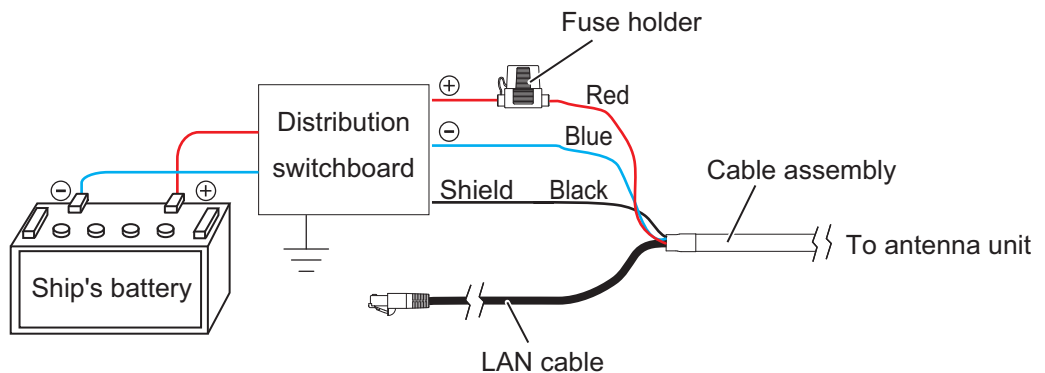
**Note 1:** Do not connect the LAN connector to on-board LAN.



**Note 2:** When LAN cable extension is needed, use the optional LAN cable (MOD-Z072) and joint box (TL-CAT-012). After connection is completed, wrap the connector with vinyl tape to waterproof the LAN connector.



10. Connect the power wires to the ship's battery.
  - Red wire: Connect to the positive terminal. The red wire has the fuse holder.
  - Blue wire: Connect to the negative terminal.
  - Black wire: The black wire is a shielding wire for grounding.



**Note 1:** The antenna unit has no power switch. Connect the antenna unit to a distribution switchboard with a switch for power control.

**Note 2:** The antenna unit cannot accept input voltage of more than 24 VDC.

**Note 3:** Power is supplied to the antenna unit even when the power is shut off at the display unit. If the radar is not to be used for an extended period, shut off the radar from the breaker.

## 2. INITIAL SETUP

### WARNING



The radar antenna emits electromagnetic radio frequency (RF) energy which can be harmful, particularly to your eyes. **Never look directly into the antenna aperture from a close distance while the radar is in operation or expose yourself to the transmitting antenna at a close distance.**

Distances at which RF radiation levels of 100, 50 and 10 W/m<sup>2</sup> exist are given in the table below.

#### DRS6A-NXT

Radiator	100 W/m <sup>2</sup>	50 W/m <sup>2</sup>	10 W/m <sup>2</sup>
XN10A	N/A	N/A	0.7 m
XN12A	N/A	N/A	0.6 m
XN13A	N/A	N/A	0.4 m

#### DRS12A-NXT

Radiator	100 W/m <sup>2</sup>	50 W/m <sup>2</sup>	10 W/m <sup>2</sup>
XN12A	0.2 m	0.5 m	1.9 m
XN13A	0.15 m	0.4 m	1.8 m

#### DRS25A-NXT

Radiator	100 W/m <sup>2</sup>	50 W/m <sup>2</sup>	10 W/m <sup>2</sup>
XN12A	0.3 m	0.47 m	2.8 m
XN13A	0.2 m	0.3 m	2.65 m

### WARNING



**Before turning on the radar, be sure no one is near the antenna.**

Prevent the potential risk of being struck by the rotating antenna, which can result in serious injury or death.

### **Vessels equipped with SC-50/60/110/120**

For better results when using the target analyzer function, an appropriate time need to be set in the [SMOOTH S/C] menu. When the time set in this menu is too long, the landmass can be judged as approaching target and displayed in red while accelerating, decelerating or turning. If this symptom occurs too often, shorten the time in [SMOOTH S/C] menu.

**Note:** Instability of COG and SOG can be larger when the [SMOOTH S/C] time becomes shorter. Set the time avoiding the influence to other navigational equipment, such as GPS plotter and autopilot.

### **Installation with Multi Function Displays**

This radar series is compatible with the FURUNO Multi Function Displays and software version combinations shown below. Combination with other models may not operate properly.

- TZT9, TZT14 and TZTB: Version 6.01 or later  
TZTL12F and TZTL15F: Version 6.01 or later