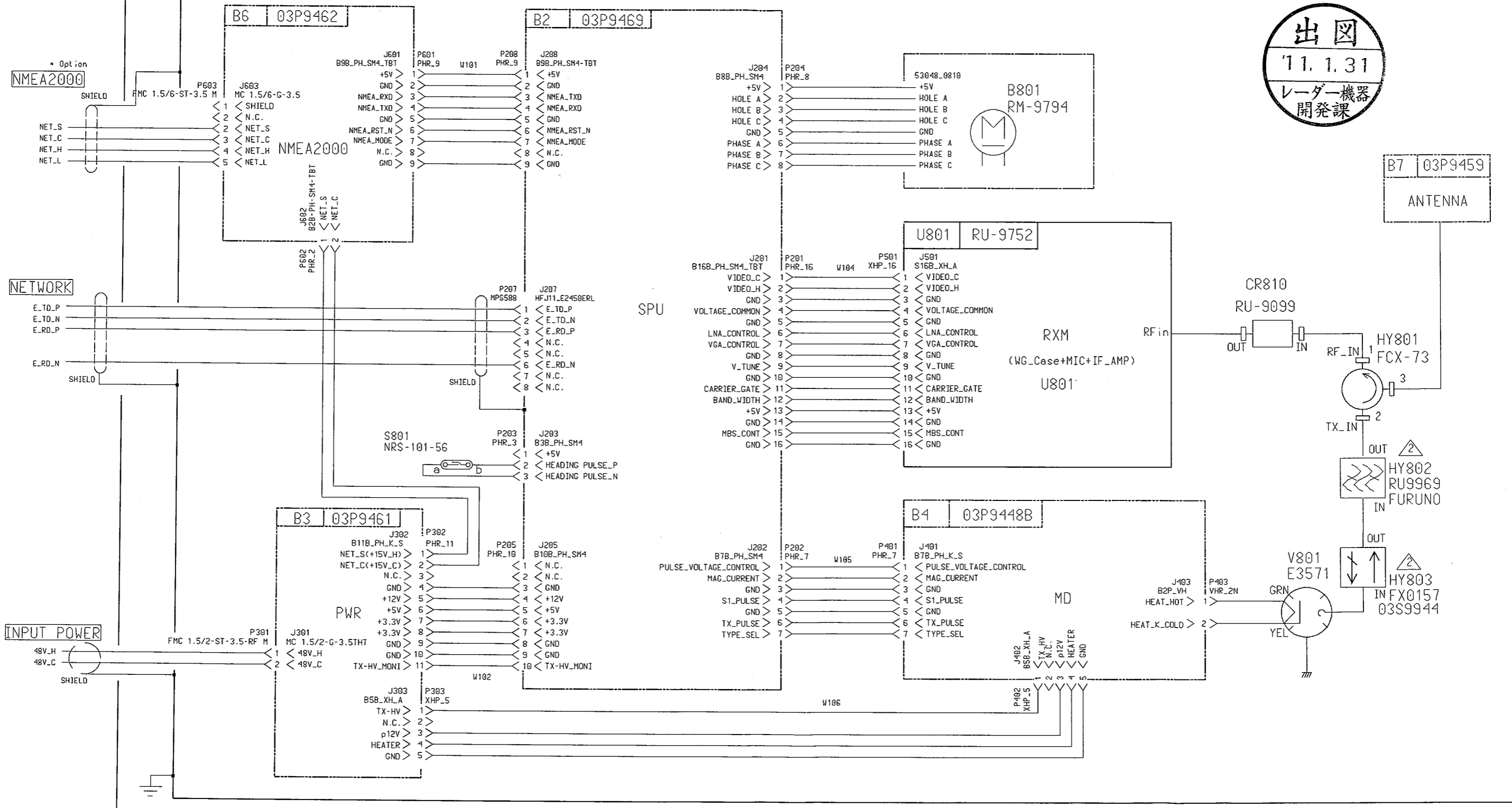


SCANNER UNIT DRS4D

B1 TRANSCEIVER MODULE RTR-091A



△ x					
△ x					
△ x					
03E2-6475	△ x 2	'11.01.19	Add RTR-091A	Funae	近藤
03E2-6232	△ x 1	'07.09.04	EMC Taisaku	Takenoto	Tokuda
REV No.	MARK	DATE	REMARKS	REV-BY	APPRV

M D L	DRS4D (Navnet3 series)	CODE No.		SHEET No.	1/1
APPRV	CHCKD	DSIGND	DRAWN	TIT	DRS4D RTR-091A Inter-Connection Diagram
2011.2.10	11.2.9	05/12/08	07/09/04	-LE	DWG No. 03-174-6002-2
近藤	近藤	K.DAI	M.Koreyasu		

