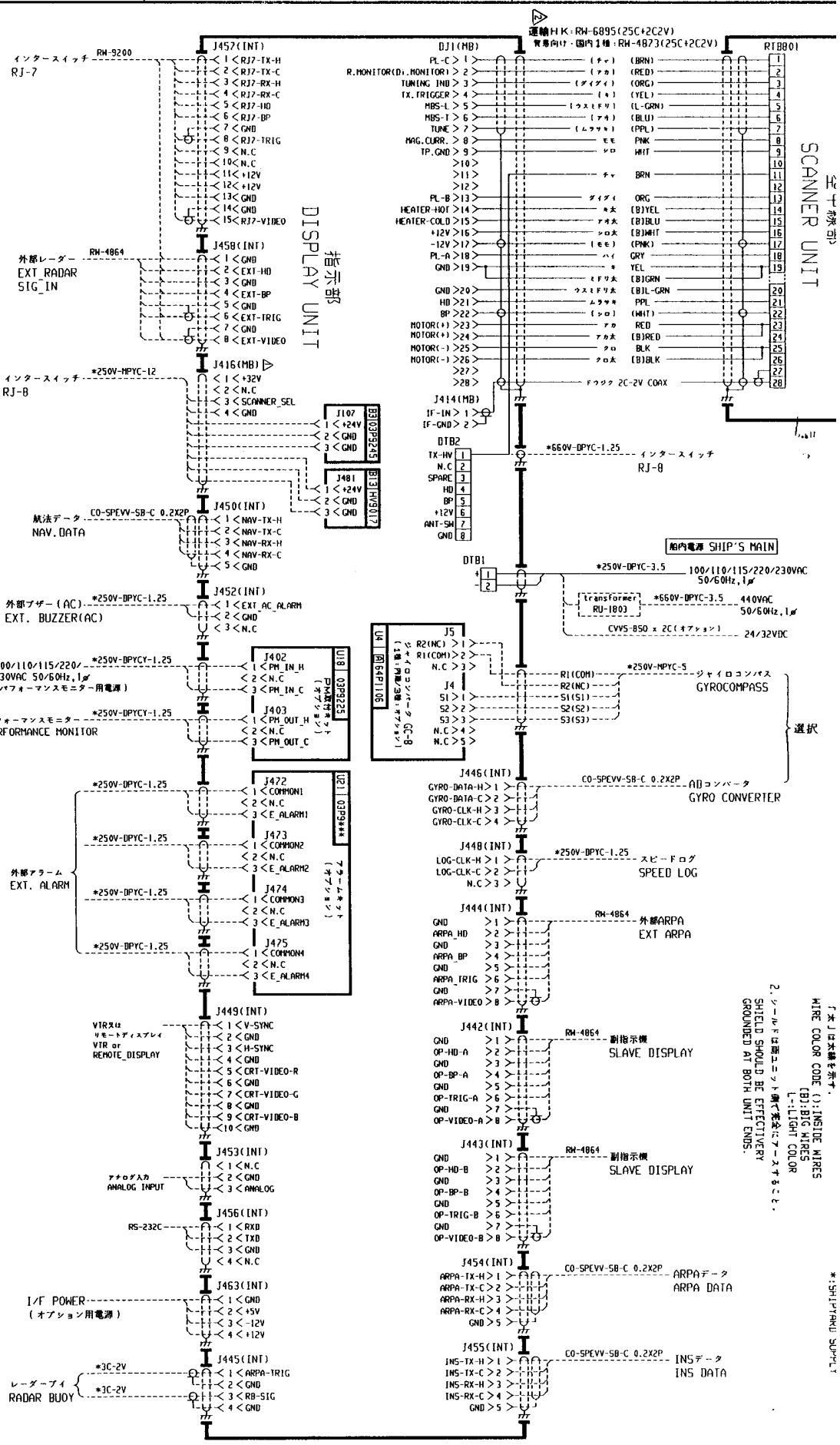


## CIRCUIT DIAGRAMS

	<u>Name</u>	<u>Title</u>	<u>Drawing No.</u>	<u>Total pages</u>
1.	Interconnection Diagram	---	03-144-6001	1
2.	Display Unit Block Diagram	---	03-144-6008	1
2.1	Mother Board (MB)	03P9251	03-144-6010	2
2.2	INT Board	03P9252	03-144-6011	4
2.3	SPU Board	03P9253	03-144-6013	17
2.4	PAL Board	03P9254	03-144-6014	1
2.5	PNL Board	03P9255	03-144-6015	2
2.6	PAR Board	03P9256	03-144-6016	1
2.7	RP Board	14P0298	03-144-6017	9
2.8	IF Board	14P0299	03-144-6018	2
2.9	ARP-26 Board	18P9002	18-124-6002	19
2.10	PTU Board	03P9245	03-144-6019	1
3.	Scanner Unit Block Diagram	---	03-144-6021	1
3.1	RFC Board	03P9243	03-144-6022	1
3.2	MD Board	03P9244	03-144-6023	1
3.3	IF Board	03P9232	03-144-6024	1

SCANNER UNIT

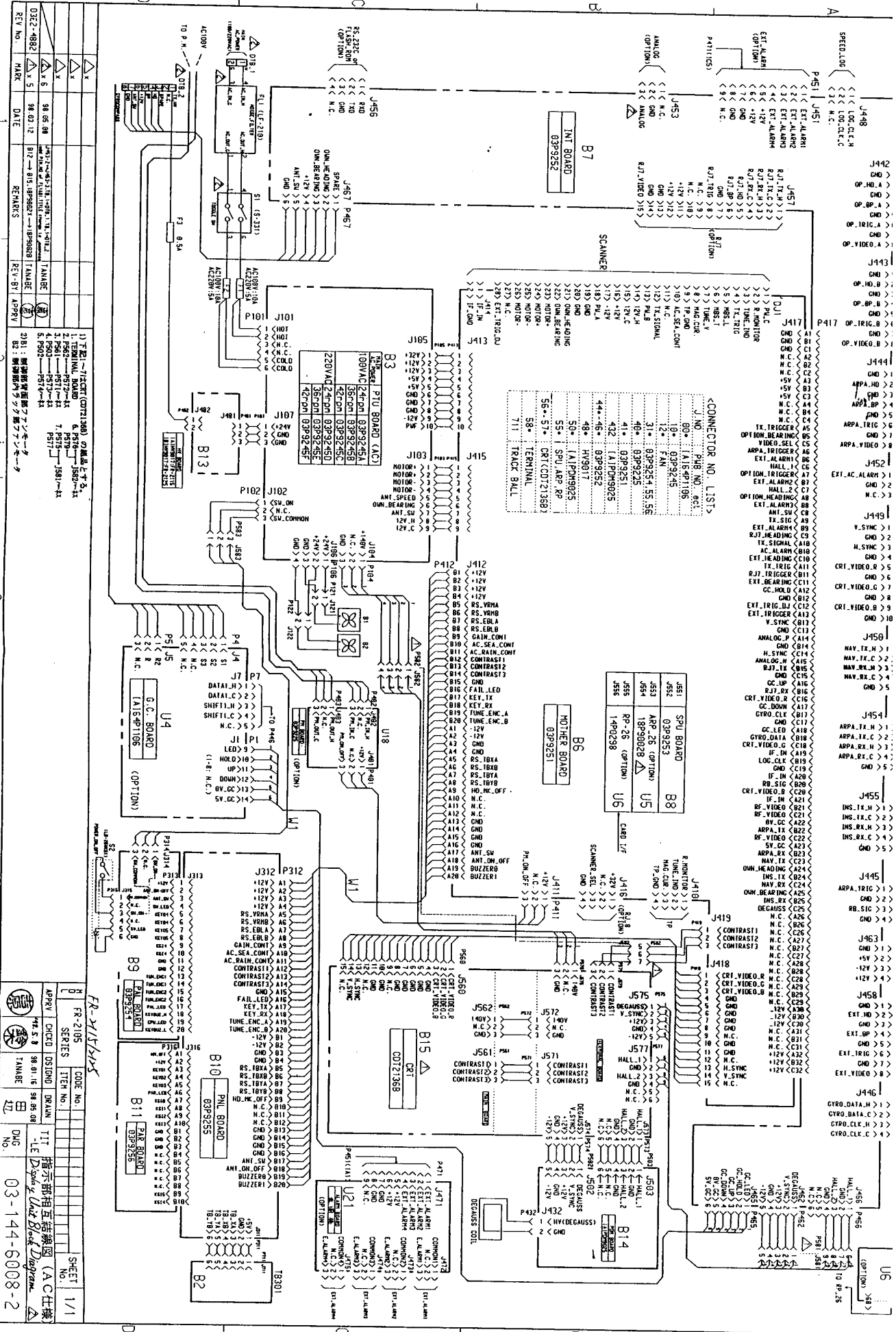


「本」は本機を示す。  
 WIRE COLOR CODE (1): INSIDE WIRES  
 (2): BIC WIRES  
 (3): LIGHT COLOR  
 (4): LIGHT COLOR  
 2. ワイヤは両端にターミナルを接続し、SHIELD SHOULD BE EFFECTIVELY GROUNDING AT BOTH UNIT ENDS.

\* SHIELDING SUPPLY

変更通知番号	訂正年月日	訂正記事	担当	承認
03E2-4937	98.6.2	3種監視機用指示部の変更	橋本	(承認)
(検査発行番号)	1998.4.20	訂正内容	橋本	(承認)
1				
2				
3				
機種種別	FR-2115	コード		
機長	FR-2125	型名		
設計	198.4.27	設計		
製造	98.2.6	製造		
検査	98.4.20	検査		
分	FR-2115/2125	分		
名	機器相互接続図	名		
図		図		
番	03-144-6001-2	番		
SHEET NO. 1/1				

古野電気株式会社

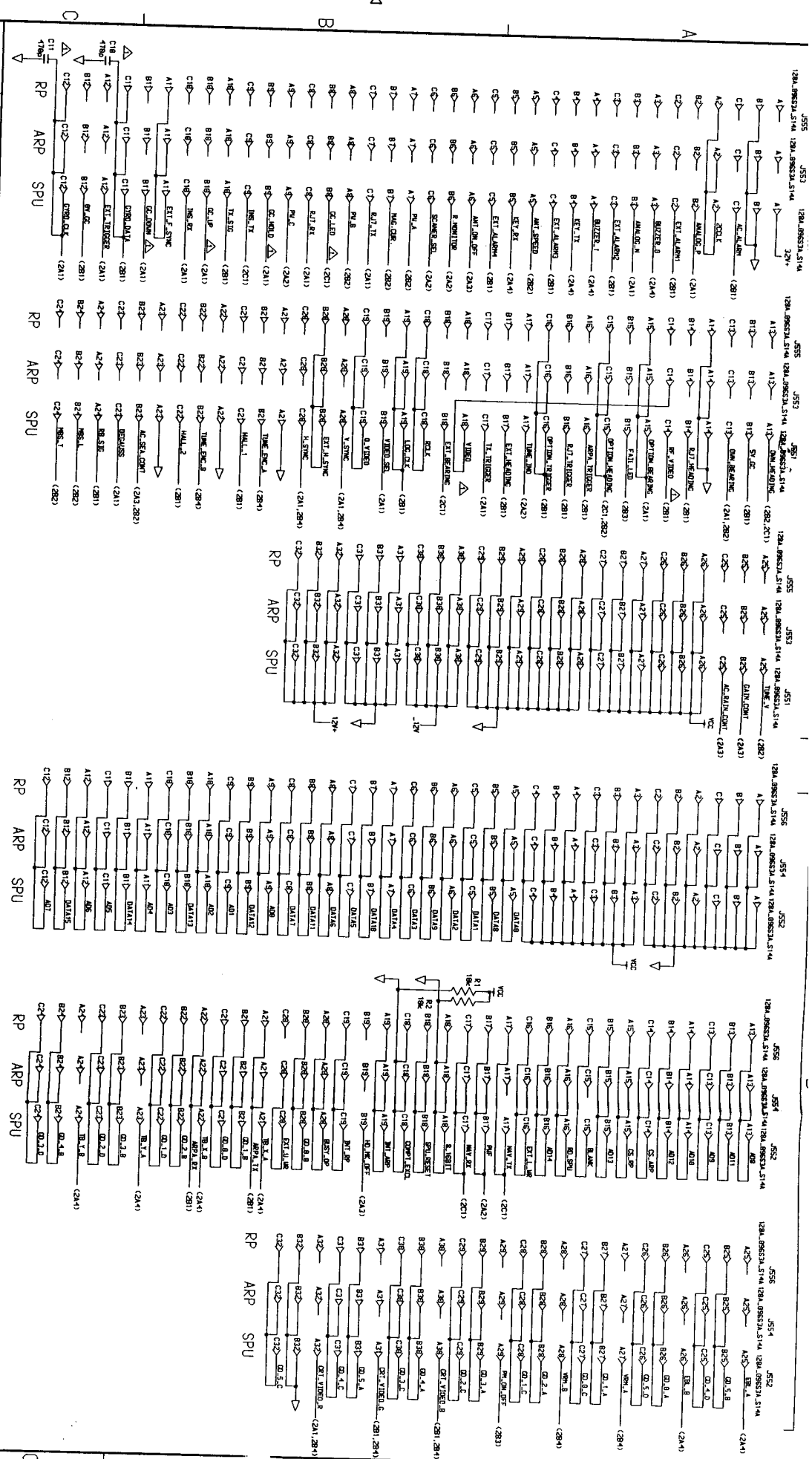


REV. NO.	DATE	REMARKS	REV. BY	APPV.
03E2-4882	38.05.08			
HAR	38.03.12			

1) 主要部(基板)の良品と不良品  
2) 部品名(部品番号)の記載  
3) 部品名(部品番号)の記載  
4) 部品名(部品番号)の記載  
5) 部品名(部品番号)の記載  
6) 部品名(部品番号)の記載  
7) 部品名(部品番号)の記載  
8) 部品名(部品番号)の記載  
9) 部品名(部品番号)の記載  
10) 部品名(部品番号)の記載

FR-2105 SERIES ITEM NO. CODE NO. SHEET 1/1  
CHECKED OSISONO DRAWN TIT 指示部相互接続図(A,C仕様)  
DATE 38.01.15 19.05.08  
NAME 田中 隆  
DWG NO. 03-144-6008-2  
FURUNO ELECTRIC CO., LTD.

J442	EXT. ALARM	EXT. ALARM
J443	EXT. ALARM	EXT. ALARM
J444	EXT. ALARM	EXT. ALARM
J445	EXT. ALARM	EXT. ALARM
J446	EXT. ALARM	EXT. ALARM
J447	EXT. ALARM	EXT. ALARM
J448	EXT. ALARM	EXT. ALARM
J449	EXT. ALARM	EXT. ALARM
J450	EXT. ALARM	EXT. ALARM
J451	EXT. ALARM	EXT. ALARM
J452	EXT. ALARM	EXT. ALARM
J453	EXT. ALARM	EXT. ALARM
J454	EXT. ALARM	EXT. ALARM
J455	EXT. ALARM	EXT. ALARM
J456	EXT. ALARM	EXT. ALARM
J457	EXT. ALARM	EXT. ALARM
J458	EXT. ALARM	EXT. ALARM
J459	EXT. ALARM	EXT. ALARM
J460	EXT. ALARM	EXT. ALARM
J461	EXT. ALARM	EXT. ALARM
J462	EXT. ALARM	EXT. ALARM
J463	EXT. ALARM	EXT. ALARM
J464	EXT. ALARM	EXT. ALARM
J465	EXT. ALARM	EXT. ALARM
J466	EXT. ALARM	EXT. ALARM
J467	EXT. ALARM	EXT. ALARM
J468	EXT. ALARM	EXT. ALARM
J469	EXT. ALARM	EXT. ALARM
J470	EXT. ALARM	EXT. ALARM
J471	EXT. ALARM	EXT. ALARM
J472	EXT. ALARM	EXT. ALARM
J473	EXT. ALARM	EXT. ALARM
J474	EXT. ALARM	EXT. ALARM
J475	EXT. ALARM	EXT. ALARM
J476	EXT. ALARM	EXT. ALARM
J477	EXT. ALARM	EXT. ALARM
J478	EXT. ALARM	EXT. ALARM
J479	EXT. ALARM	EXT. ALARM
J480	EXT. ALARM	EXT. ALARM
J481	EXT. ALARM	EXT. ALARM
J482	EXT. ALARM	EXT. ALARM
J483	EXT. ALARM	EXT. ALARM
J484	EXT. ALARM	EXT. ALARM
J485	EXT. ALARM	EXT. ALARM
J486	EXT. ALARM	EXT. ALARM
J487	EXT. ALARM	EXT. ALARM
J488	EXT. ALARM	EXT. ALARM
J489	EXT. ALARM	EXT. ALARM
J490	EXT. ALARM	EXT. ALARM
J491	EXT. ALARM	EXT. ALARM
J492	EXT. ALARM	EXT. ALARM
J493	EXT. ALARM	EXT. ALARM
J494	EXT. ALARM	EXT. ALARM
J495	EXT. ALARM	EXT. ALARM
J496	EXT. ALARM	EXT. ALARM
J497	EXT. ALARM	EXT. ALARM
J498	EXT. ALARM	EXT. ALARM
J499	EXT. ALARM	EXT. ALARM
J500	EXT. ALARM	EXT. ALARM

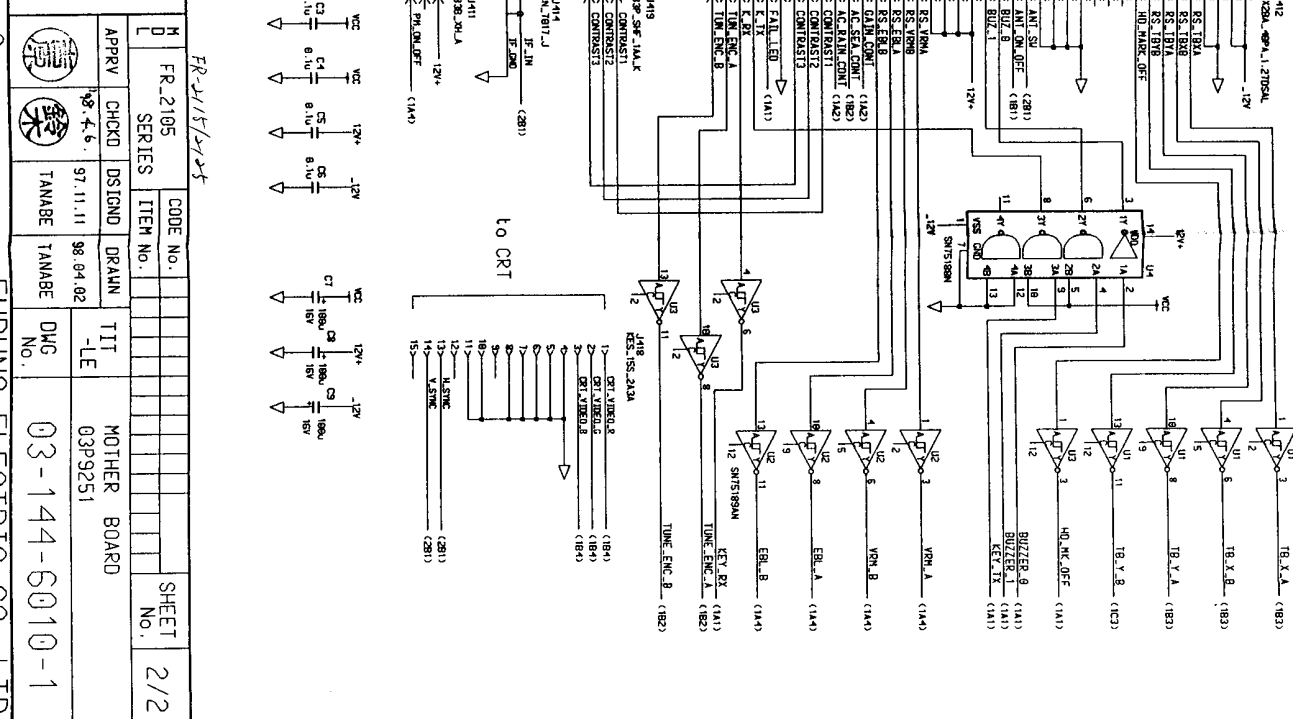
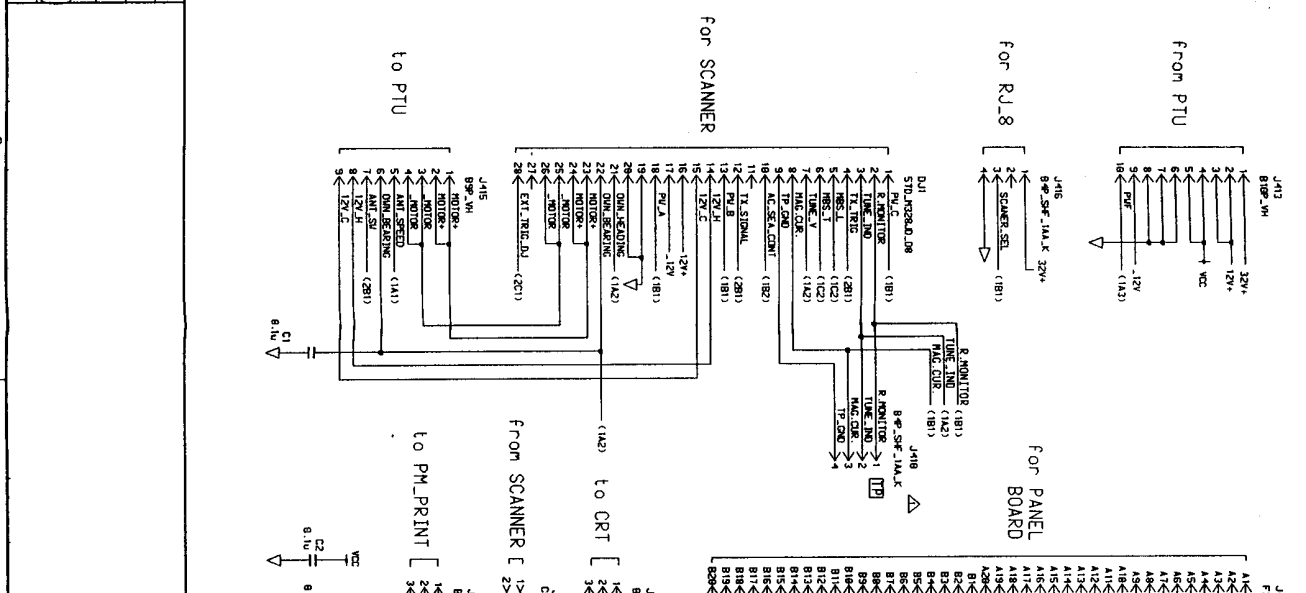
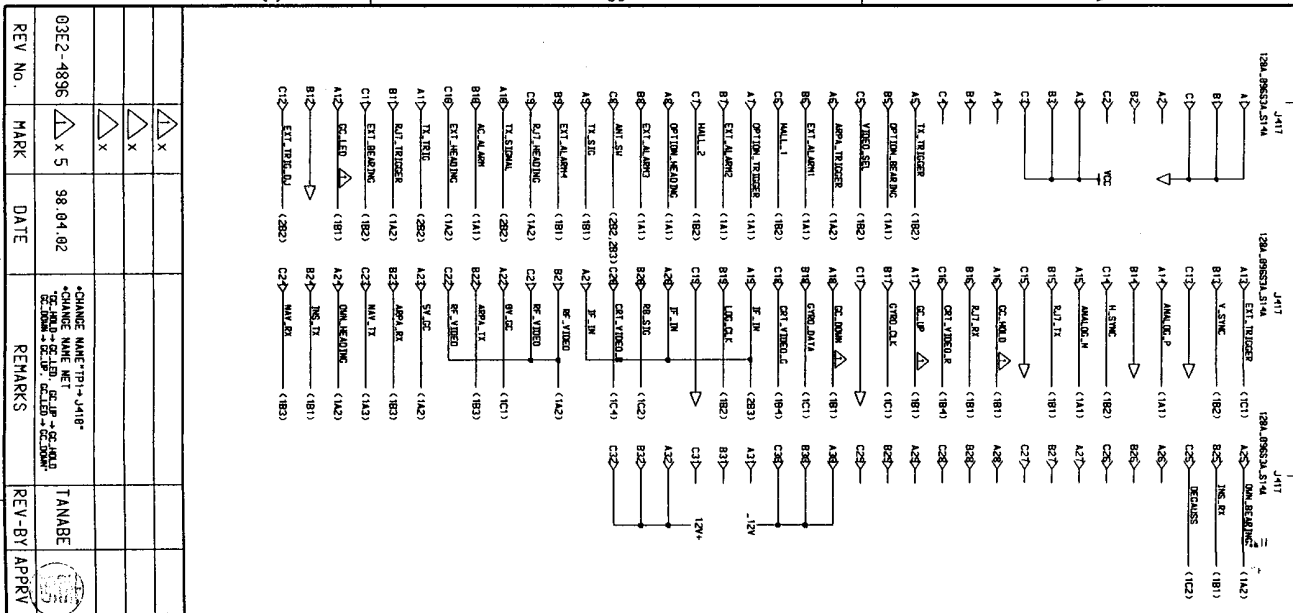


REV. No.	MARK	DATE	REMARKS	REV-BY	APPRV
03E2-4896	v 8	98.04.02	CHANGE NET. OF VIDEO VIDEO ADD C16, C17 CHANGE VALUE OF C16, C17 C16: 0.001uF C17: 0.001uF	TANABE	
REV. No.	MARK	DATE	REMARKS	REV-BY	APPRV

1 2 3

FURUNO ELECTRIC CO., LTD.

FR-2105	CODE No.	SHEET
98.4.6	ITEM No.	1/2
97.11.11	DRAWN	
98.04.02	TANABE	
	DWG No.	
	TIT	MOTHER BOARD
	-LE	03P9251
		03-144-6010-1



REV. NO.	MARK	DATE	REMARKS	REV-BY	APPROV.
03E2-4896	△ X 5	98.04.02	CHANGE NAME FROM J418 TO J419 CHANGE NAME FROM J419 TO J420 CHANGE NAME FROM J420 TO J421	TANABE	
	△ X				
	△ X				

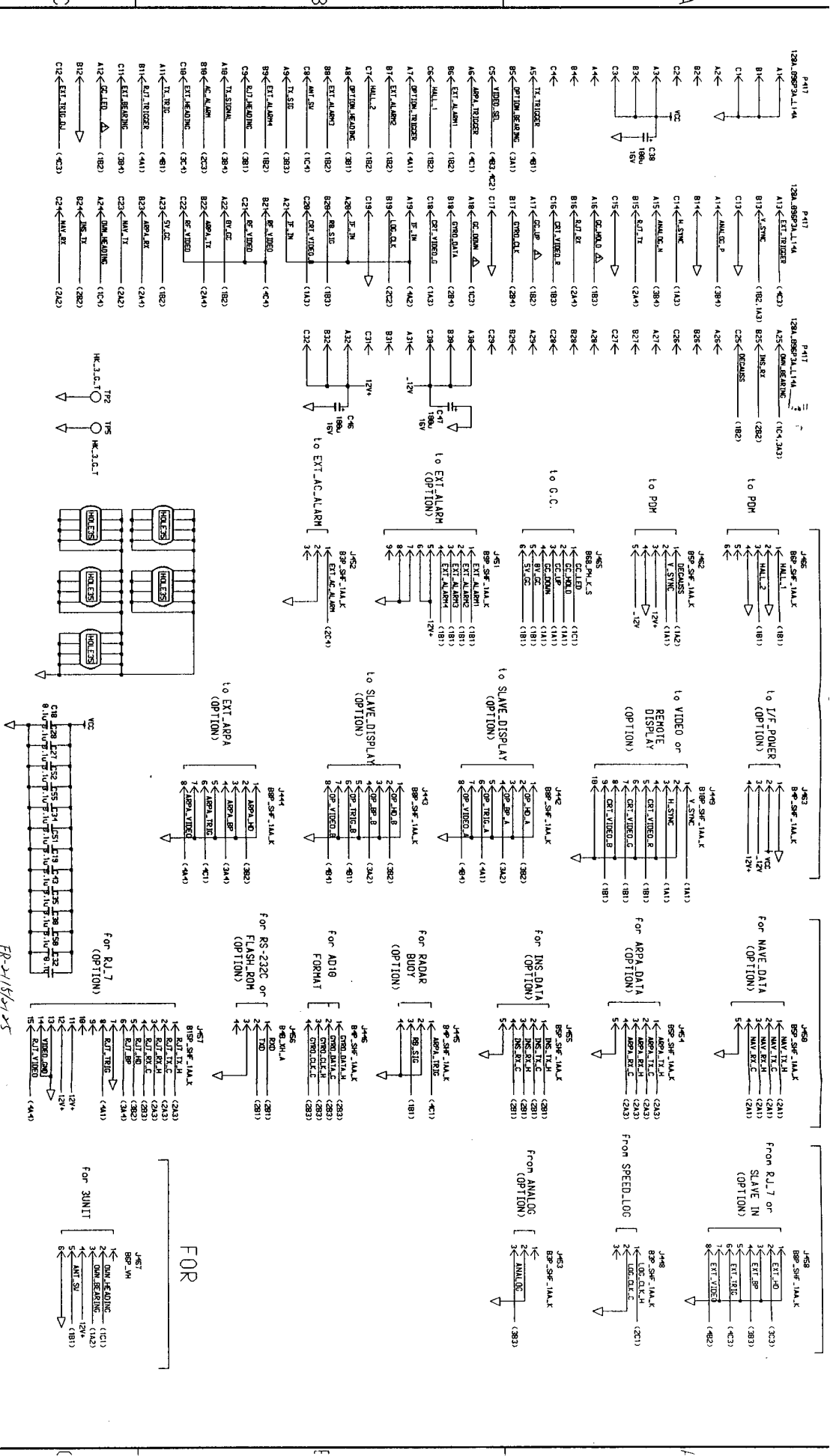
CODE No.	ITEM No.	FR 2105	SERIES

APPROV.	CHECKD.	DSIGND.	DRAIN.	TANABE	TANABE	DWG No.	SHEET No.
							2/2

MOTHER BOARD  
03P9251

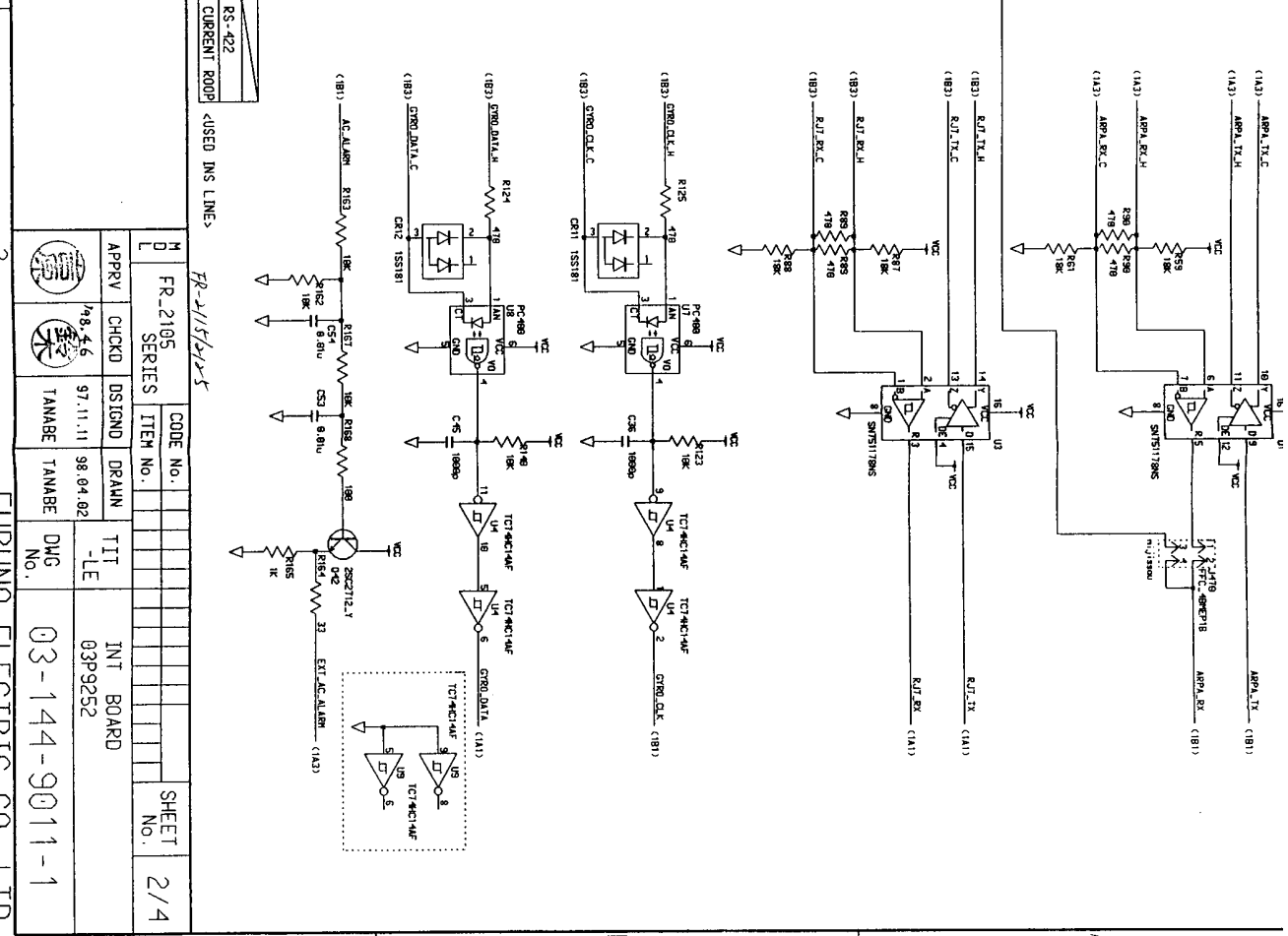
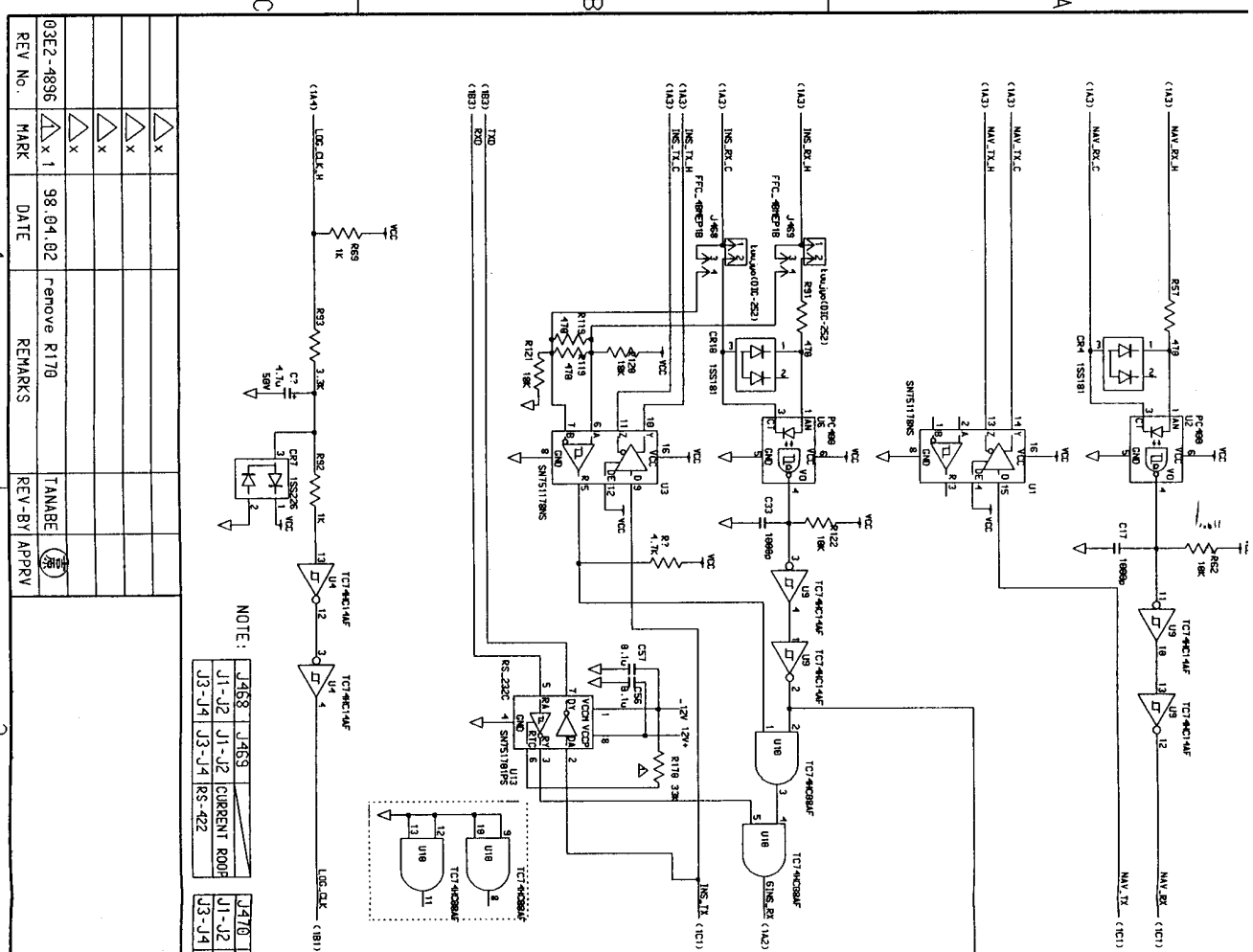
03-144-6010-1

FURUNO ELECTRIC CO., LTD.



REV No.	MARK	DATE	REMARKS	REV BY	APPRV	CHKCD	DESIGND	DRAWN	TIT	DWG No.	SHEET No.
03E2-4896	x 4	98.04.02	CHANGE NAME EST. (C101) → EST. (C102) → EST. (C103) → EST. (C104) → EST. (C105)	TANABE (印)		FR-2105	98.4.6	97.11.11	INT BOARD	03-144-6011-1	1/4

FURUNO ELECTRIC CO., LTD.



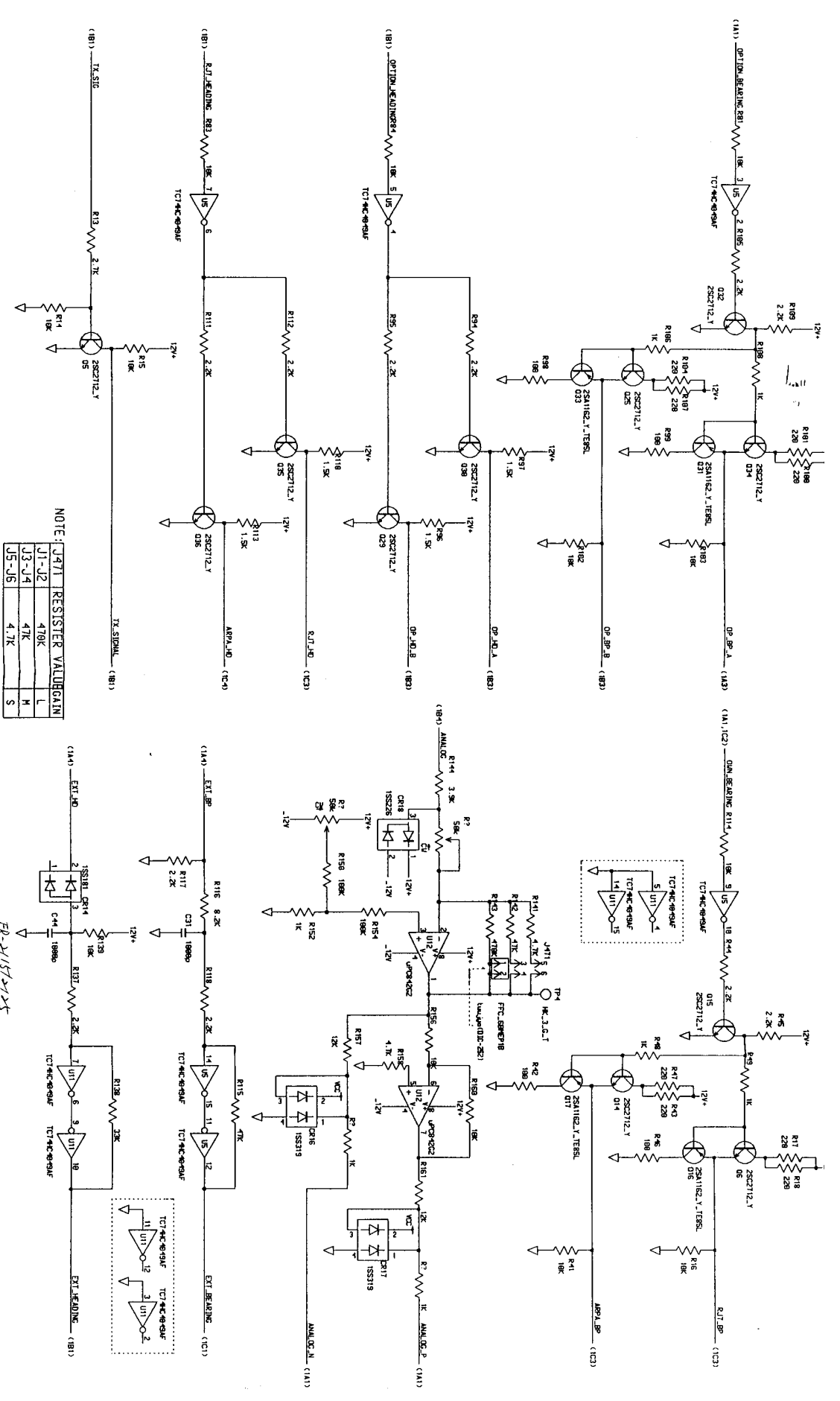
REV. NO.	MARK	DATE	REMARKS	REV. BY	APPROV.
03E2-4896	△ x 1	98.04.02	REMOVE R170	TANABE	(Signature)
	△ x				
	△ x				

REV. NO.	MARK	DATE	REMARKS	REV. BY	APPROV.
	△ x 1	98.04.02	REMOVE R170	TANABE	(Signature)
	△ x				
	△ x				

REV. NO.	MARK	DATE	REMARKS	REV. BY	APPROV.
	△ x 1	98.04.02	REMOVE R170	TANABE	(Signature)
	△ x				
	△ x				

FR-2116/215		CODE NO.		SHEET NO.	
APPRV	CHKD	DESIGN	DRAWN	TIT	INT BOARD
7/8, 4/6	97.11.11	98.04.02	TANABE	-LE	03P9252
APPRV	CHKD	DESIGN	DRAWN	TIT	INT BOARD
7/8, 4/6	97.11.11	98.04.02	TANABE	-LE	03P9252
APPRV	CHKD	DESIGN	DRAWN	TIT	INT BOARD
7/8, 4/6	97.11.11	98.04.02	TANABE	-LE	03P9252
FR-2116/215				DMG No.	03-144-9011-1
FR-2116/215				DWG No.	03-144-9011-1
FR-2116/215				DMG No.	03-144-9011-1
FR-2116/215				DWG No.	03-144-9011-1
FR-2116/215				DMG No.	03-144-9011-1
FR-2116/215				DWG No.	03-144-9011-1
FR-2116/215				DMG No.	03-144-9011-1
FR-2116/215				DWG No.	03-144-9011-1

FURUNO ELECTRIC CO., LTD.



NOTE: J471 RESISTER VALUE GAIN

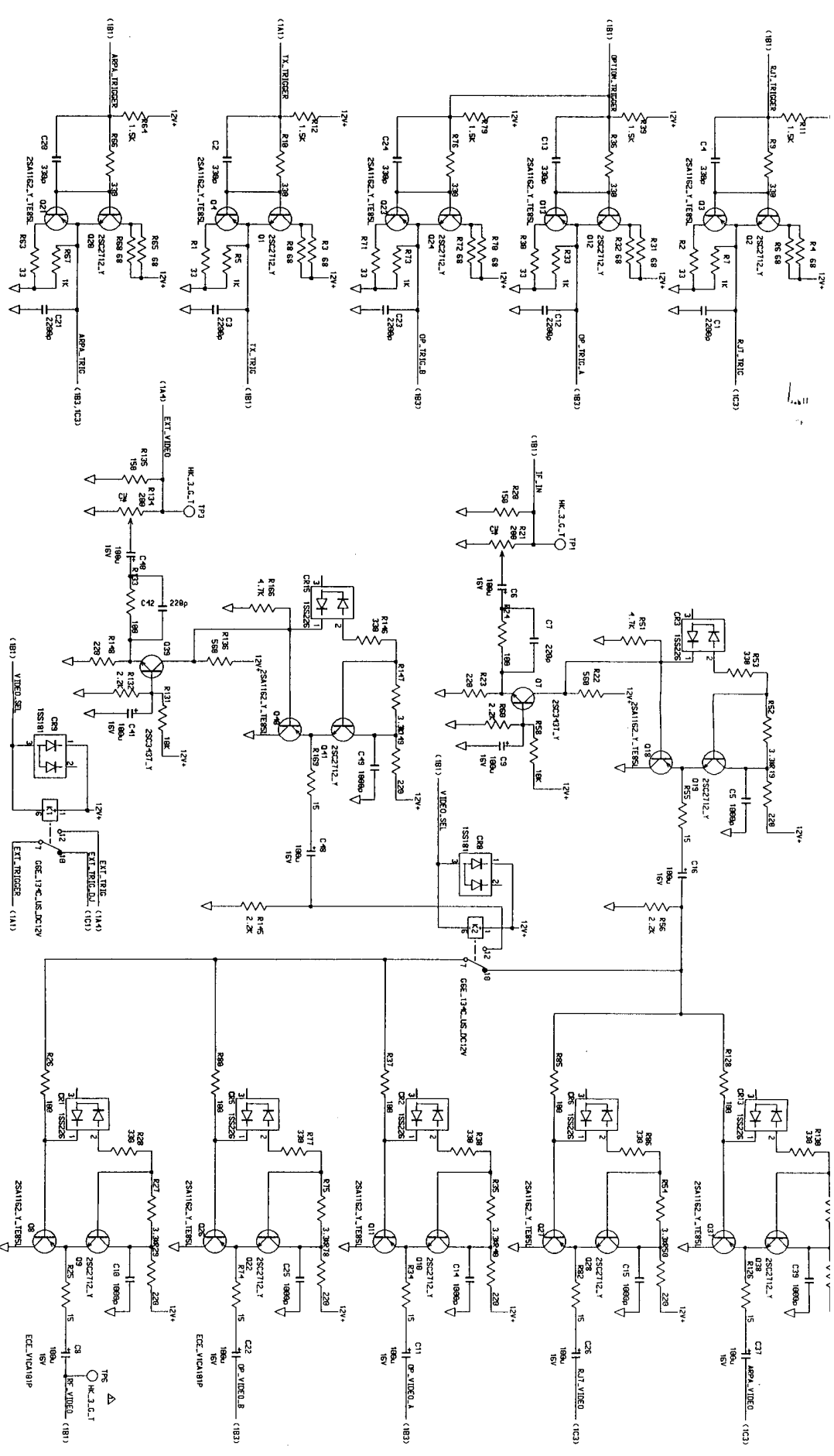
J1-J2	470K	L
J3-J4	47K	H
J5-J6	4.7K	S

REV. No.	MARK	DATE	REMARKS	REV. BY	APPROV.

FURUNO ELECTRIC CO., LTD.

M	L	FR-2105	CODE No.		SHEET
APPRV	CHKD	DSIGND	ITEM No.		No.
79.4.6	97.11.11	98.04.02			3/4
TANABE	TANABE	TANABE			
DWG No.	INT BOARD				
03-144-6011-1	03P9252				

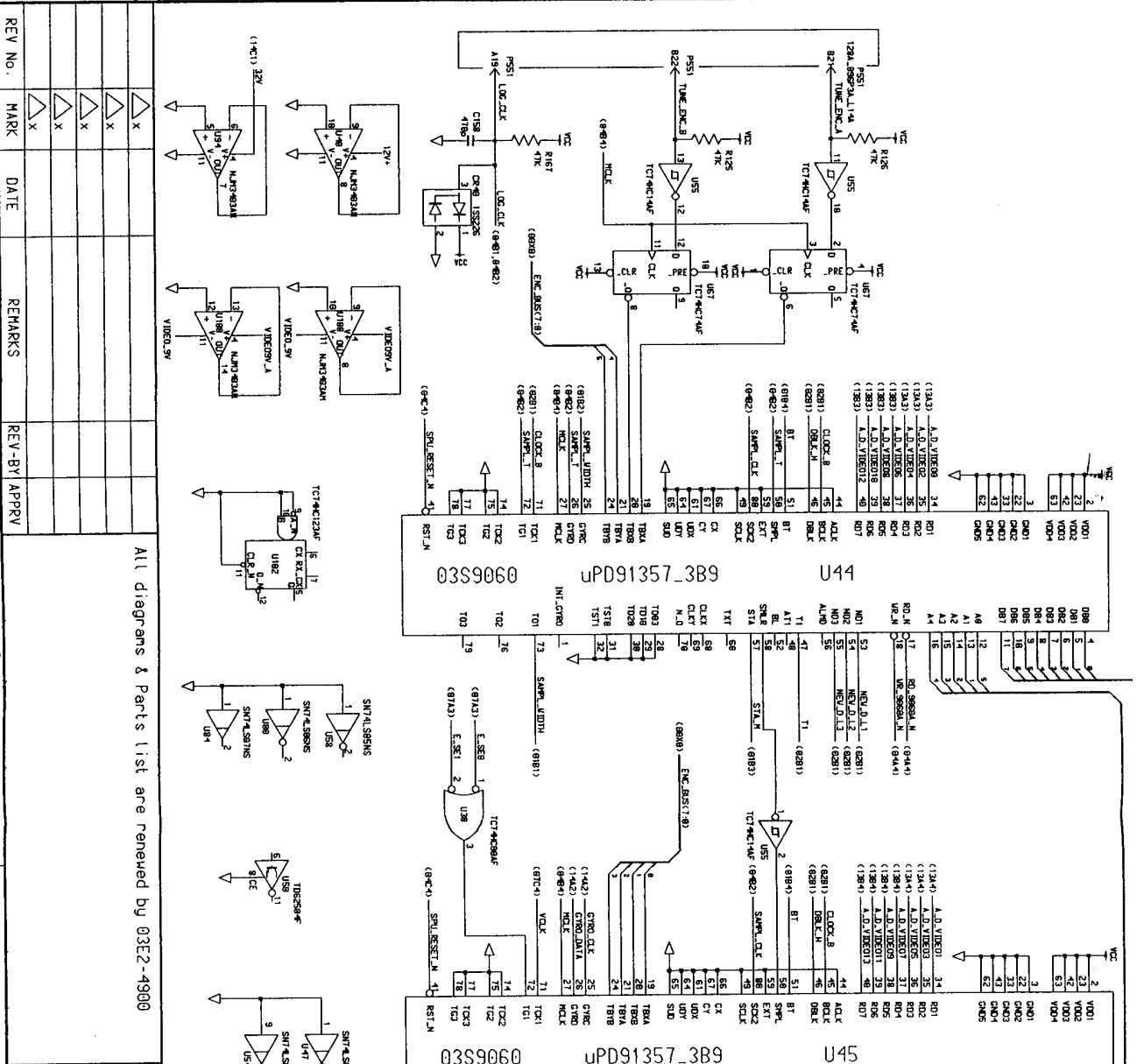




REV No.	03E2-4896	HARK	DATE	198.04.02	add TP6	TANABE	REV-BY APPRV
REMARKS	1						
REMARKS	2						
REMARKS	3						

*FR-2105*

APPRV	CHKD	DSIGND	DRAIN	TIT	INT BOARD	SHEET
				-LE	03P9252	4/4
DATE	98.4.6	97.11.11	98.04.02	DWG NO.	03-144-6011-1	
FURUNO ELECTRIC CO., LTD.						



All diagrams & Parts list are renewed by 03C2-4900

REV NO.	MARK	DATE	REMARKS	REV-BY	APPRV

REV NO.	MARK	DATE	REMARKS	REV-BY	APPRV

FR-2105

APPRV CHCKD 98.4.28

DESIGNER 98.1.26

DRAWN 98.4.28

COND 北野

DWG No. 03-144-6013-3

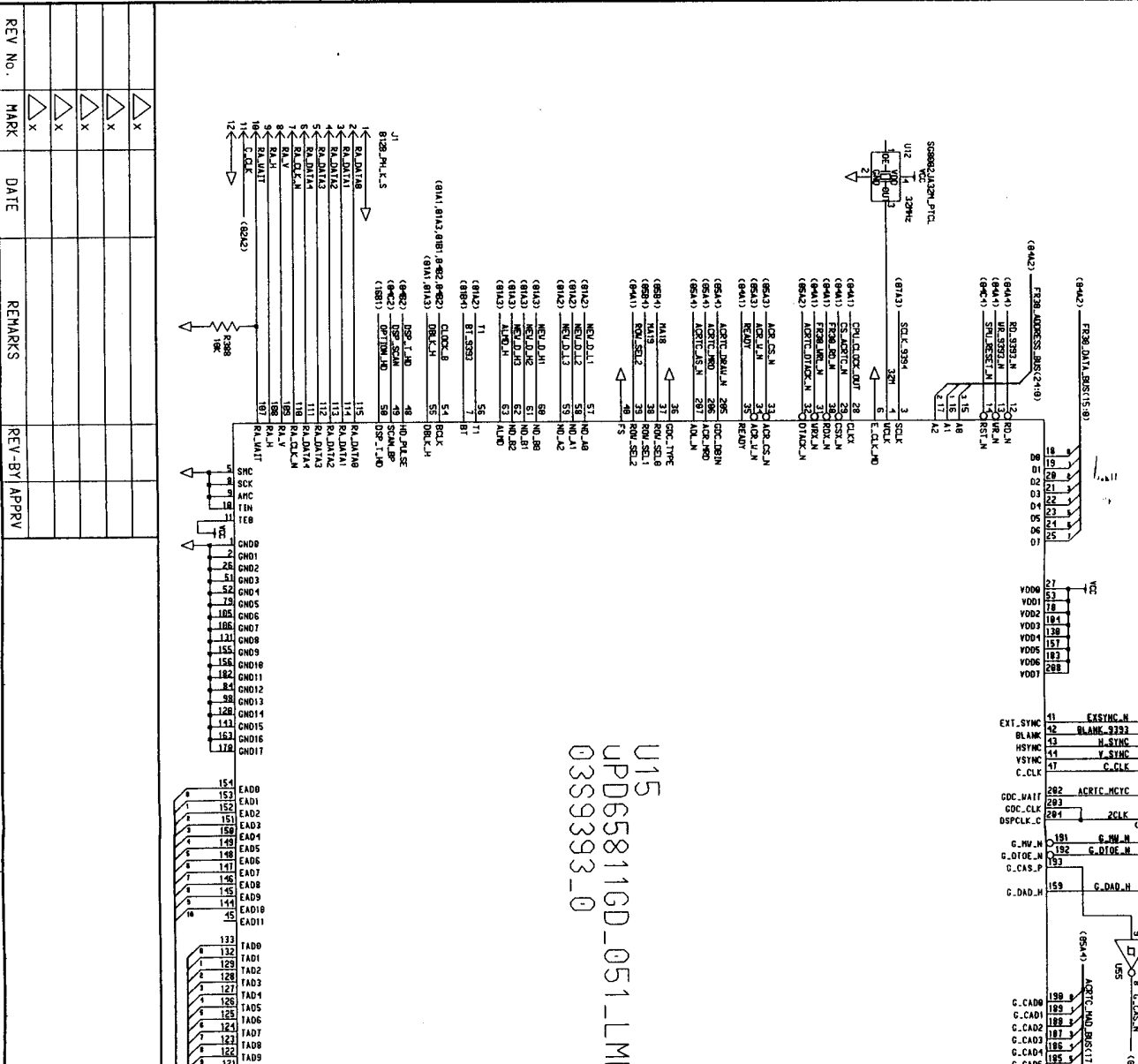
CODE No.

ITEM No.

SHEET No. 1/17

03P9253-22 SPU-Print (Echo Sample)

FURUNO ELECTRIC CO., LTD.



REV. No.	MARK	DATE	REMARKS	REV. BY	APPRV
1	△				
2	△				
3	△				

APPRV	CHKD	DSIGND	DRAWN	TIT	SCALE
				北	1:1
				北	
				北	

CODE No.	FR-2105	ITEM No.	03P9253-22 SPU-Print
DATE	98.4.27	SCALE	(GAS393 Block)
NO.	98.1.26	SCALE	
NO.	98.4.28	SCALE	

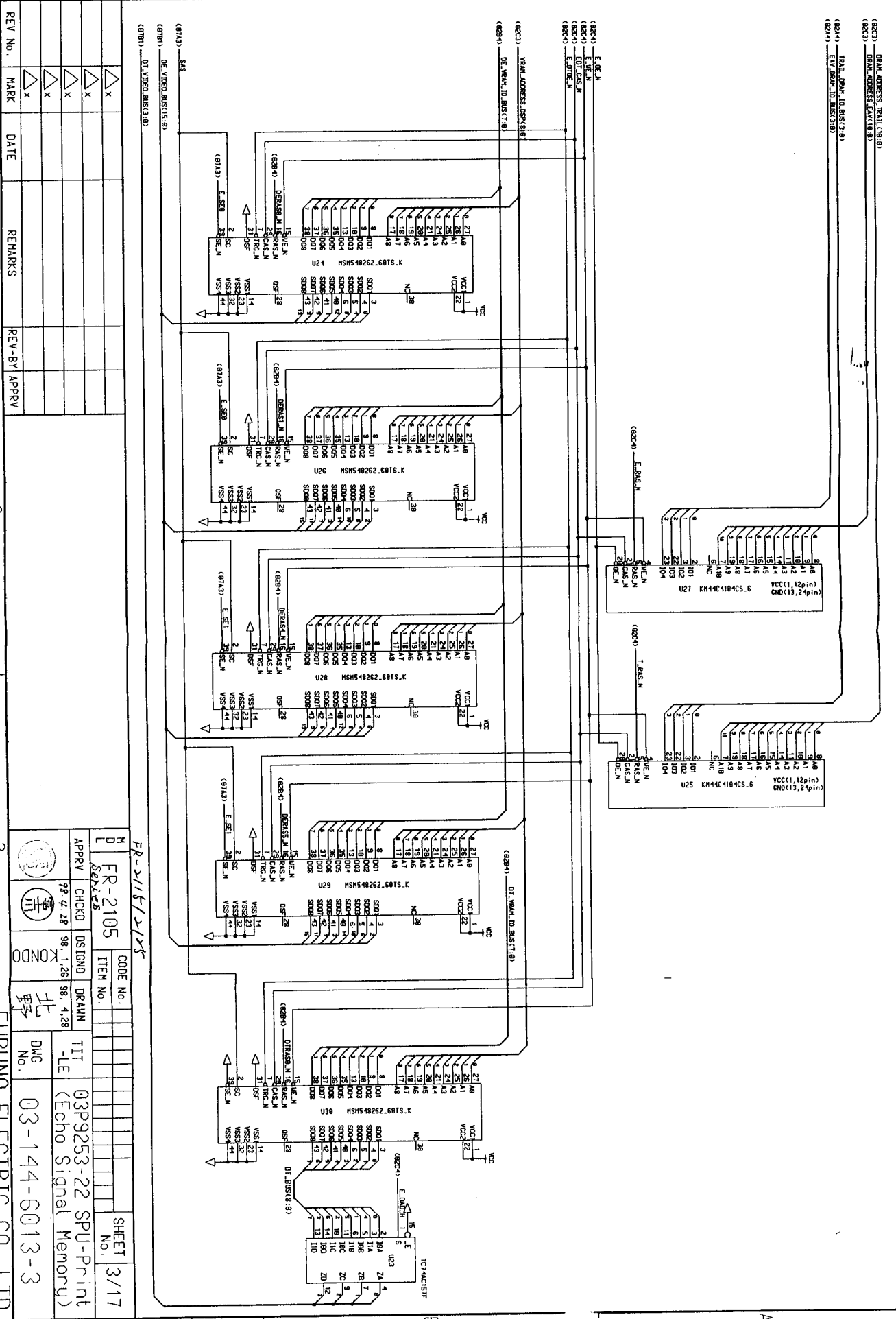
  

DWG No.	03-114-6013-3
SHEET No.	2/17

FURUNO ELECTRIC CO., LTD.

U15  
UPD6581GD-051-LML  
03S9393\_0



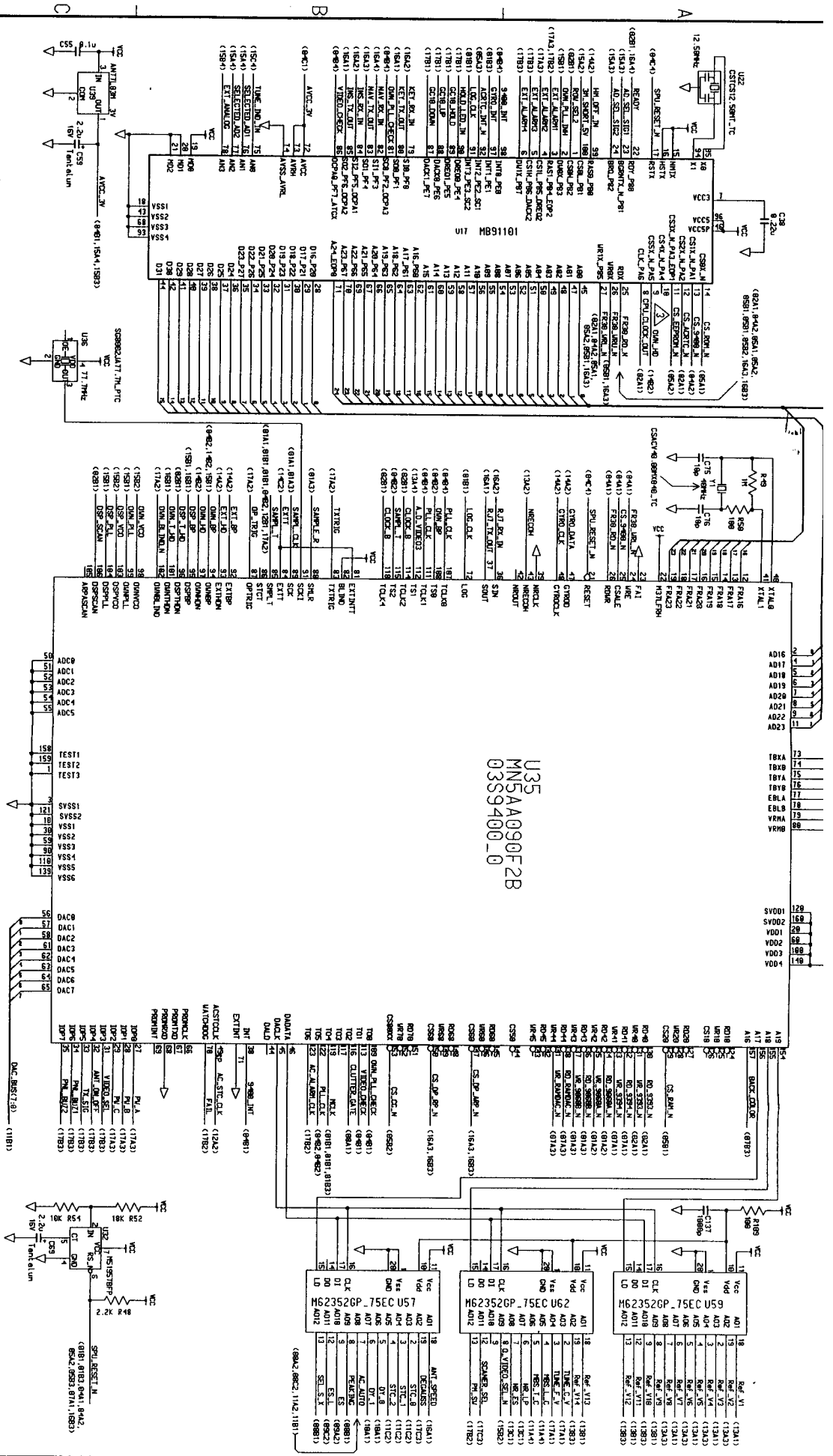
(82C1) DRAM ADDRESS: TRAIL (18B)  
 (82C2) DRAM ADDRESS: E-VAL (18B)  
 (82C3) DRAM ADDRESS: E-VAL (18B)  
 (82C4) DRAM ADDRESS: E-VAL (18B)  
 (82C5) DRAM ADDRESS: E-VAL (18B)  
 (82C6) DRAM ADDRESS: E-VAL (18B)  
 (82C7) DRAM ADDRESS: E-VAL (18B)  
 (82C8) DRAM ADDRESS: E-VAL (18B)  
 (82C9) DRAM ADDRESS: E-VAL (18B)  
 (82C10) DRAM ADDRESS: E-VAL (18B)  
 (82C11) DRAM ADDRESS: E-VAL (18B)  
 (82C12) DRAM ADDRESS: E-VAL (18B)  
 (82C13) DRAM ADDRESS: E-VAL (18B)  
 (82C14) DRAM ADDRESS: E-VAL (18B)  
 (82C15) DRAM ADDRESS: E-VAL (18B)  
 (82C16) DRAM ADDRESS: E-VAL (18B)  
 (82C17) DRAM ADDRESS: E-VAL (18B)  
 (82C18) DRAM ADDRESS: E-VAL (18B)  
 (82C19) DRAM ADDRESS: E-VAL (18B)  
 (82C20) DRAM ADDRESS: E-VAL (18B)  
 (82C21) DRAM ADDRESS: E-VAL (18B)  
 (82C22) DRAM ADDRESS: E-VAL (18B)  
 (82C23) DRAM ADDRESS: E-VAL (18B)  
 (82C24) DRAM ADDRESS: E-VAL (18B)  
 (82C25) DRAM ADDRESS: E-VAL (18B)  
 (82C26) DRAM ADDRESS: E-VAL (18B)  
 (82C27) DRAM ADDRESS: E-VAL (18B)  
 (82C28) DRAM ADDRESS: E-VAL (18B)  
 (82C29) DRAM ADDRESS: E-VAL (18B)  
 (82C30) DRAM ADDRESS: E-VAL (18B)  
 (82C31) DRAM ADDRESS: E-VAL (18B)  
 (82C32) DRAM ADDRESS: E-VAL (18B)  
 (82C33) DRAM ADDRESS: E-VAL (18B)  
 (82C34) DRAM ADDRESS: E-VAL (18B)  
 (82C35) DRAM ADDRESS: E-VAL (18B)  
 (82C36) DRAM ADDRESS: E-VAL (18B)  
 (82C37) DRAM ADDRESS: E-VAL (18B)  
 (82C38) DRAM ADDRESS: E-VAL (18B)  
 (82C39) DRAM ADDRESS: E-VAL (18B)  
 (82C40) DRAM ADDRESS: E-VAL (18B)

REV. NO.	MARK	DATE	REMARKS	REV-BY	APPRV
1					
2					
3					

CODE No.	ITEM No.	DESCRIPTION	QTY	UNIT	REMARKS
FR-2105		03P9253-22 SPU-Print			
		(Echo Signal Memory)			

FR-2105/2125  
 79.4.28 98.1.26 98.4.28  
 COND  
 DWG No. 03-144-6013-3

SHEET No. 3/17  
 FURUNO ELECTRIC CO., LTD.



03C2-4917	REV No.	MARK	DATE	198	4	28	add net-DRAW.HDR from U42	KONDO
				REV-BY	APPRV			

FR-2105	CODE NO.						
CHKD	DESIGN	DRAWN	TIT	03P9253-22 SPU-Print			
98.4.28	98.1.28	98.4.28	DRG No.	(FR-30 Block)			

APPRV	CHKD	DESIGN	DRAWN	TIT
				03P9253-22 SPU-Print
				(FR-30 Block)

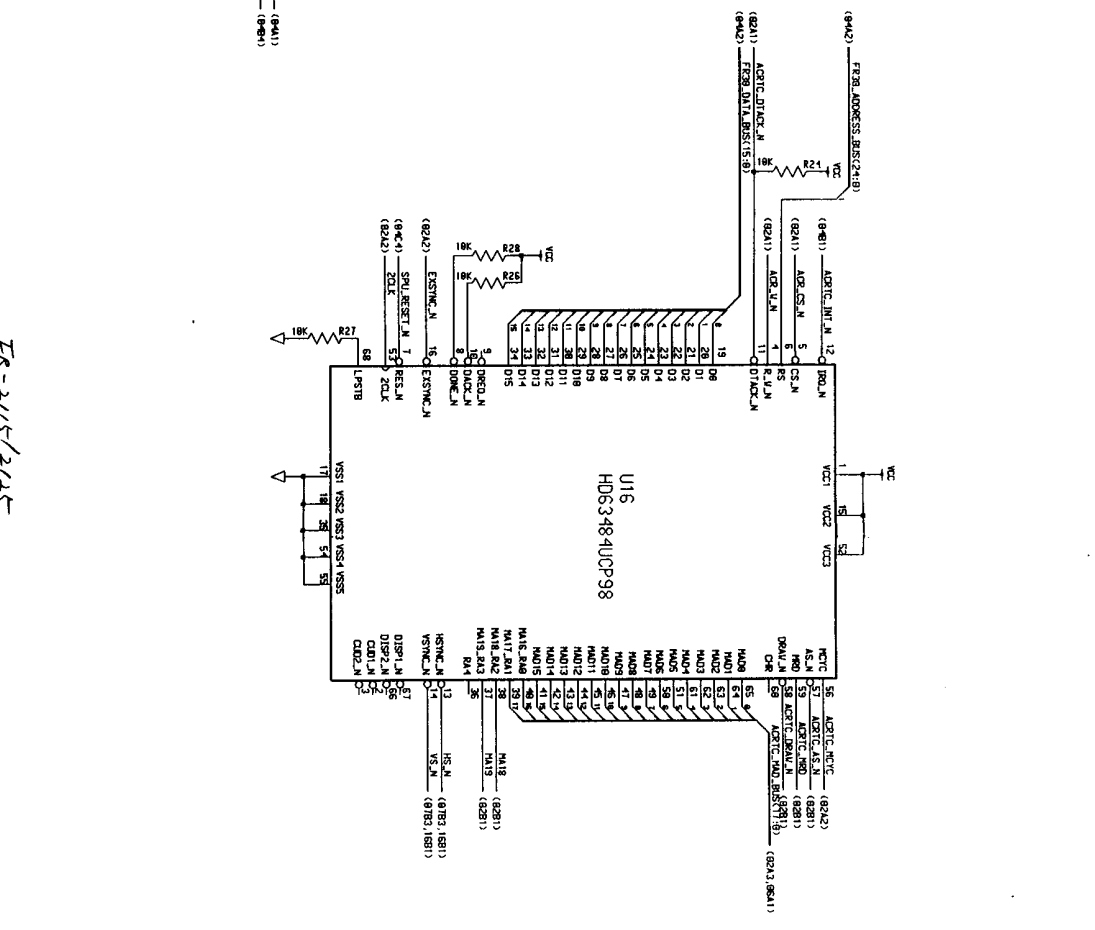
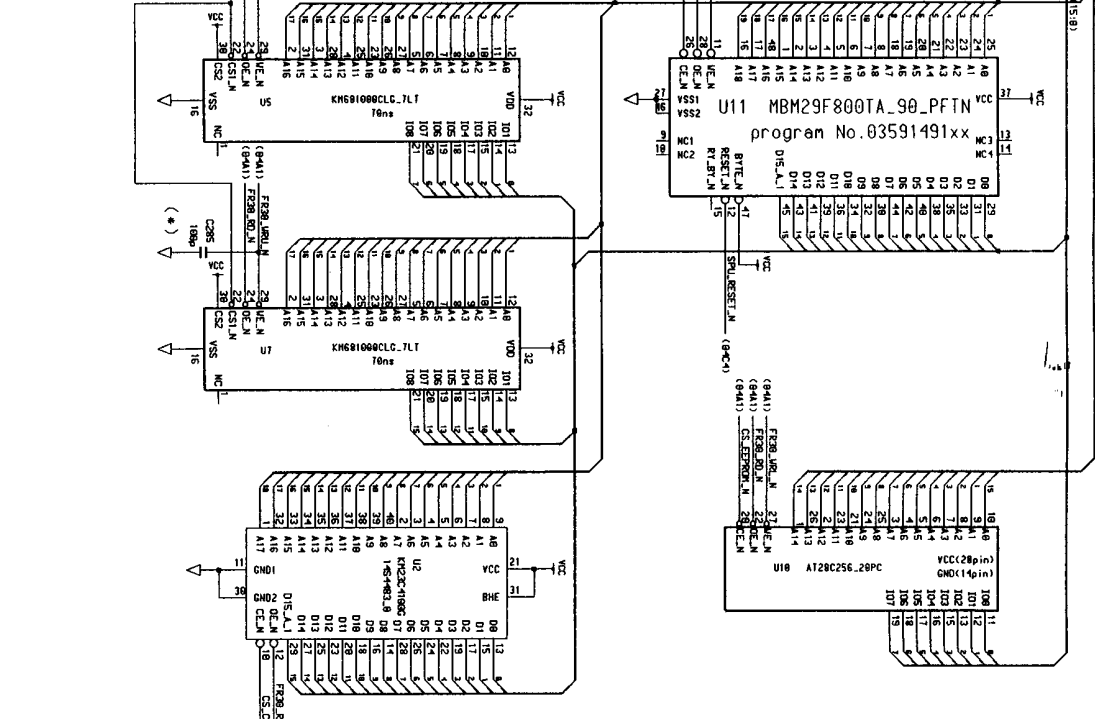
  

FR-2105	CODE NO.					
CHKD	DESIGN	DRAWN	TIT	03P9253-22 SPU-Print		
98.4.28	98.1.28	98.4.28	DRG No.	(FR-30 Block)		

SHEET 4/17

FURUNO ELECTRIC CO., LTD.

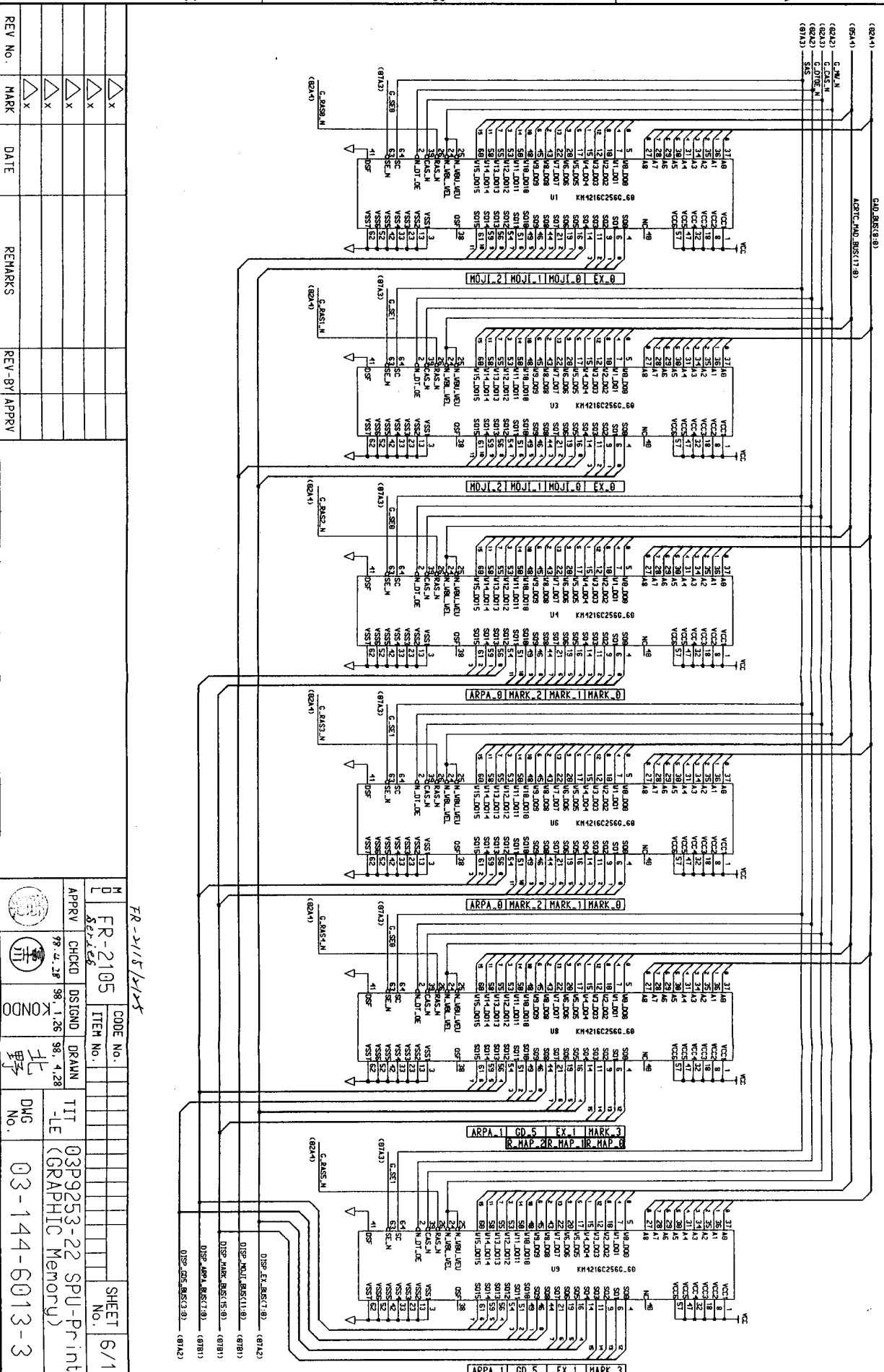


FR-2105	CODE No.		SHEET No.	5/17
FR-2105	ITEM No.			
CHKD	DESIGN	DRAWN	TIT	03P9253-22 SPU-Print
APPRV	CHKD	DESIGN	DRAIN	(CPU_MEMORY+ACRITC)
98.4.28	98.1.26	98.4.28	-LE	
COND			DWG No.	03-114-6013-3
COND			FURUNO ELECTRIC CO., LTD.	

REV No.	MARK	DATE	REMARKS	REV-BY	APPRV
	△				
	△				
	△				
	△				

(\*) : not mount

FR-2115/2125



REV No.	MARK	DATE	REMARKS	REV-BY	APPRV
	△ X				
	△ X				
	△ X				

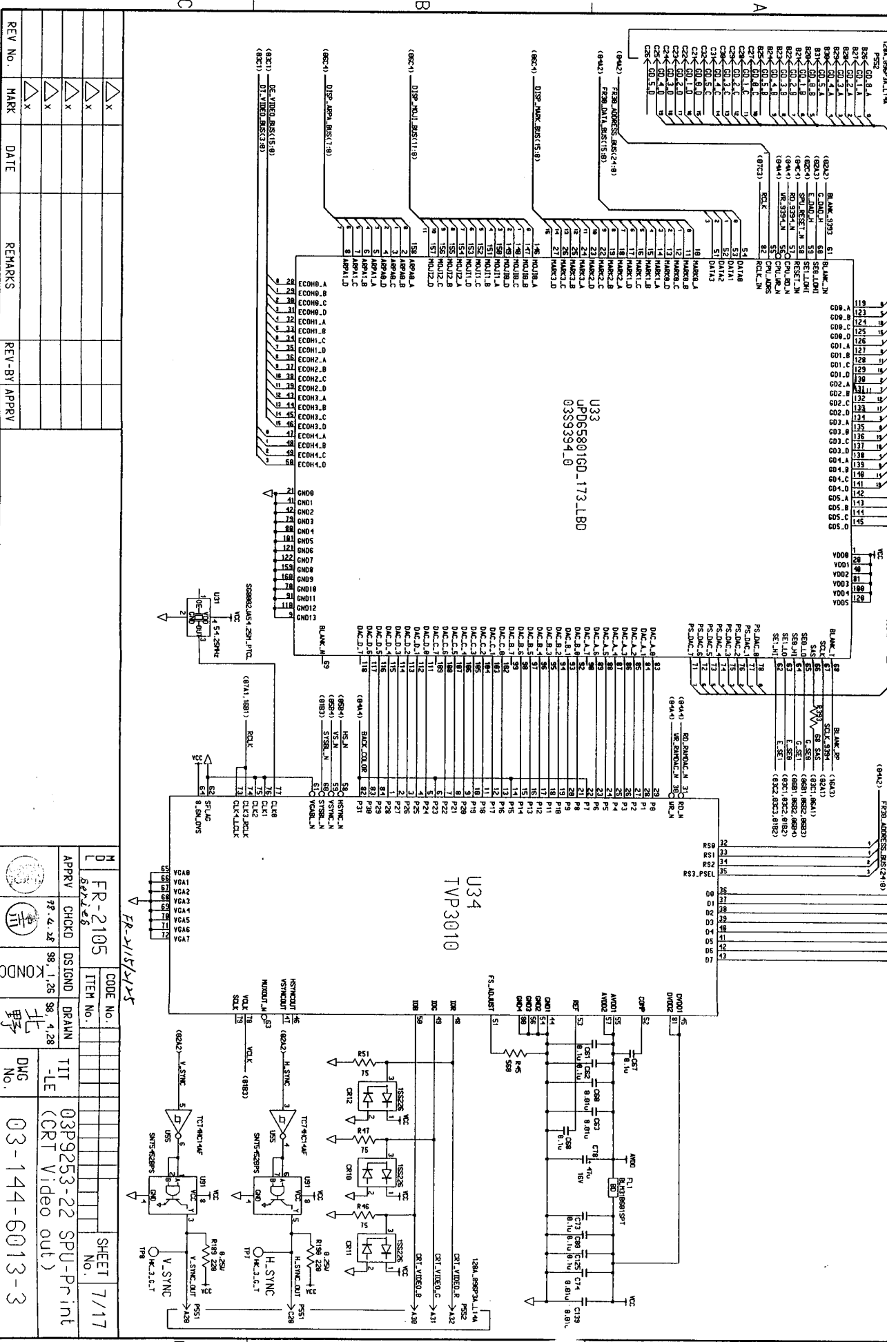
FR-2105	CODE No.	FR-2105
807.1.65	ITEM No.	
98.12.28	DESIGN	DRAWN
98.1.26	CHKD	COND

03P9253-22	TIT	03P9253-22 SPU-Print
(GRAPHIC Memory)	-LE	
03-144-6013-3	DWG No.	

FR-2105/2/25

北 野

FURUNO ELECTRIC CO., LTD.



U33  
U06S801GD-173LBD  
03S9394.0

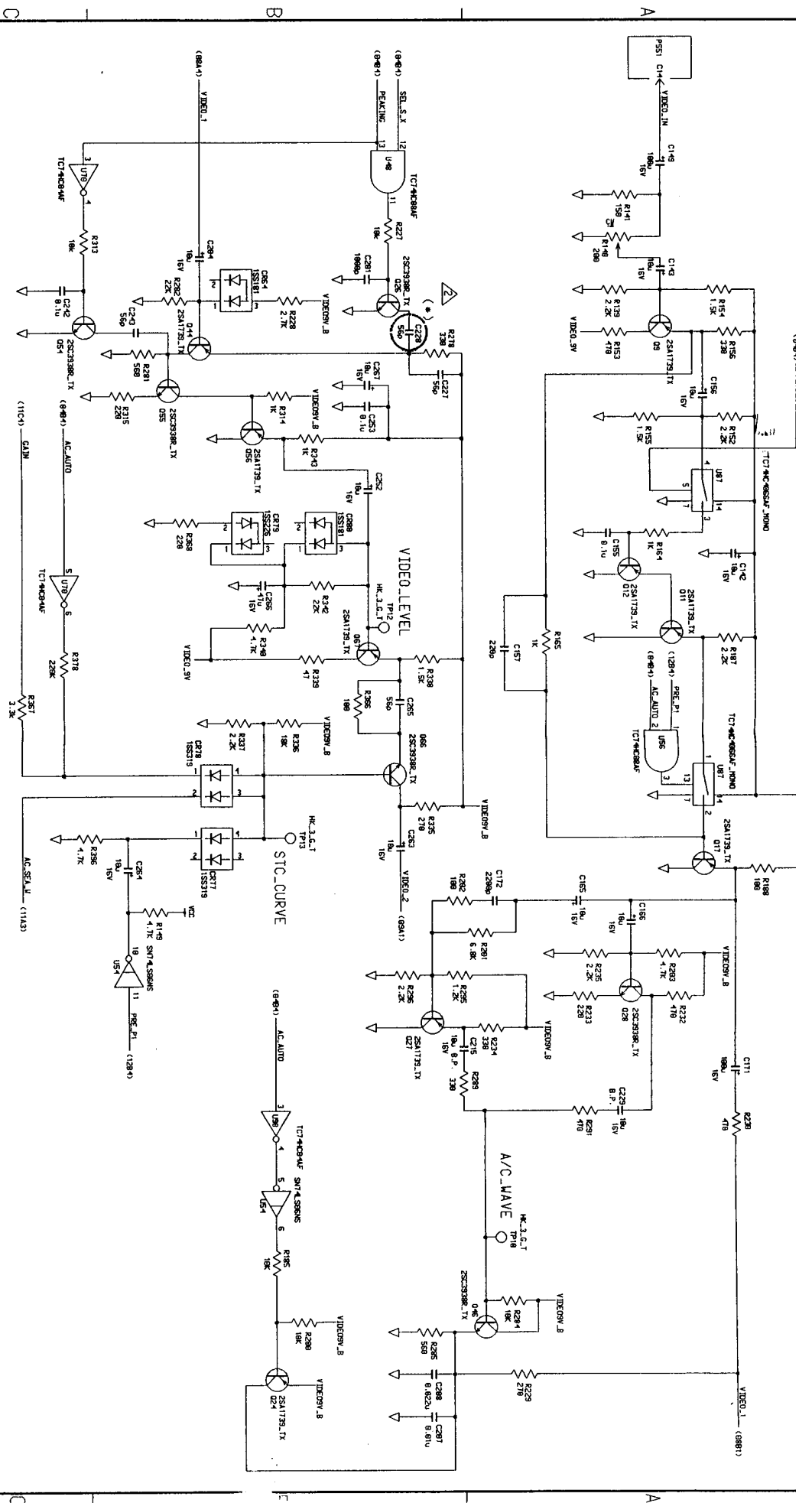
U34  
TVP3010

REV. NO.	MARK	DATE	REMARKS	REV-BY	APPRV

FR-2105	CODE No.	FR-2105	SHEET	7/17
CHKD	OSIGND	DEANN	TIT	03P9253-22 SPU-Print
98.4.28	98.1.28	98.4.28	-LE	(CRT Video out)
KONDO			DMG No.	03-144-6013-3

FURUNO ELECTRIC CO., LTD.





△ X																													
△ X																													
△ X																													
△ X																													
03E2-4911	△ x1	'98. 4. 27	Remove C228	小林	⑤																								
REV No.	HARK	DATE	REMARKS	REV-BY	APPRV																								

FR-215/215

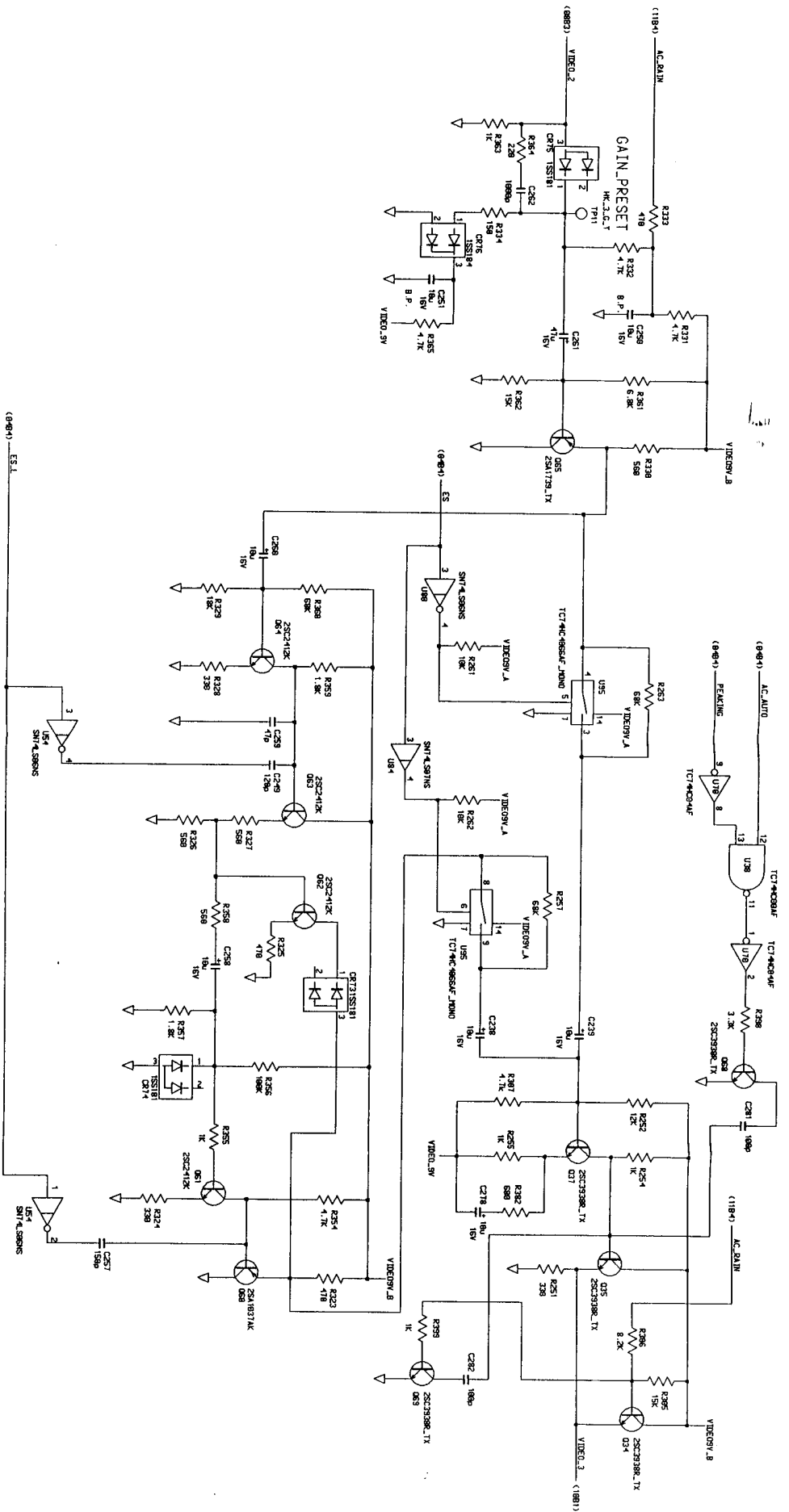
CODE No. FR-2105 SHEET No. 8/17

ITEM No. 527215

APPRV	CHCKD	DSIGND	DRAIN	TIT
(Signature)	(Signature)	北野	北野	03P9253-22 SPU-Print
				(VIDEO AMP BLOCK 1/5)

DWG No. 03-144-6013-3

FURUNO ELECTRIC CO., LTD.



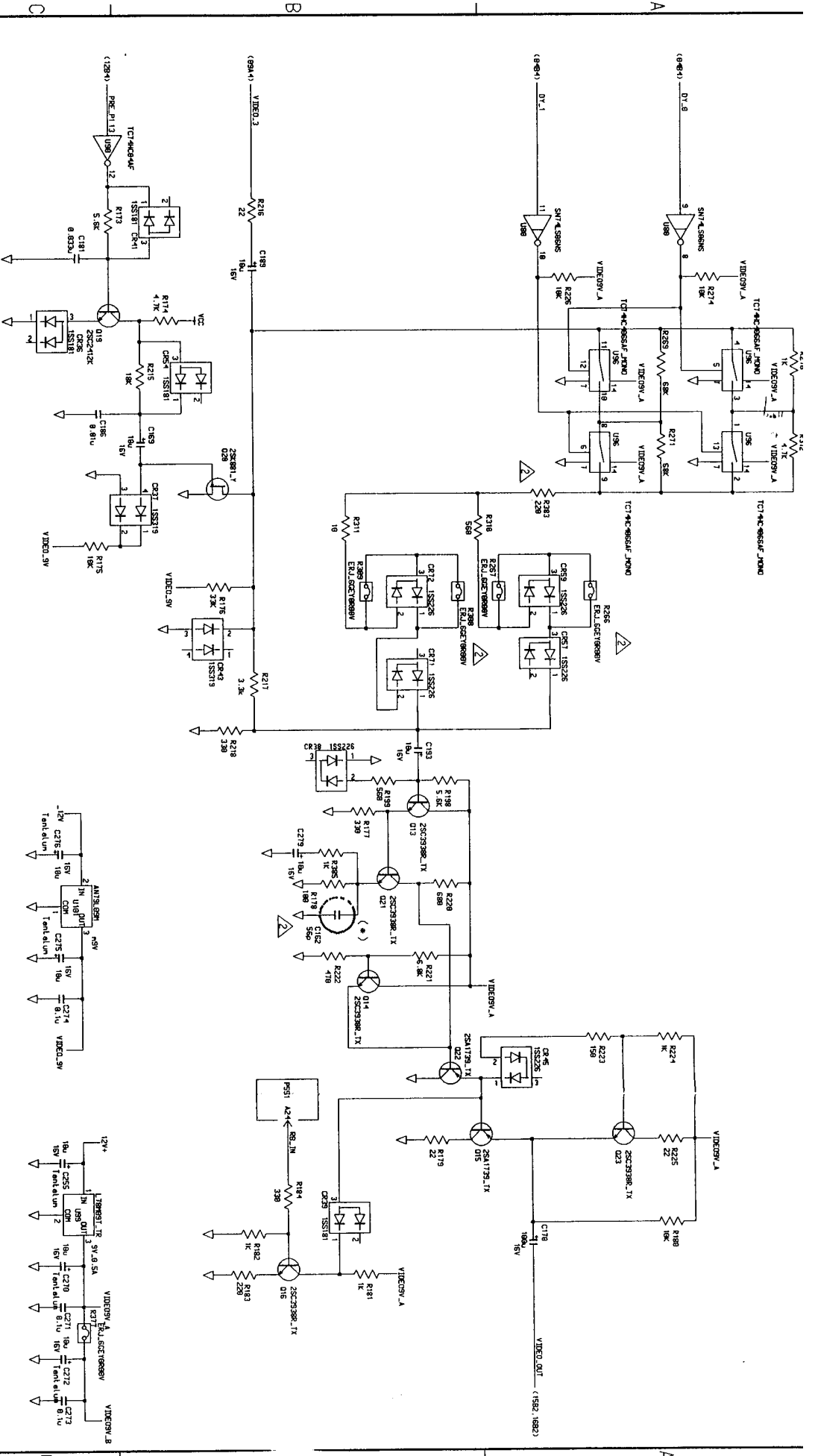
REV NO.	HARK	DATE	REMARKS	REV-BY	APPRV

1					
2					
3					

FR-2105		CODE No.		SHEET	9/17
APPRV	CHKD	DESIGND	DRAWN	TIT	
				-LE	
				(VIDEO AMP BLOCK 2/5)	
				DWG No.	03-144-6013-3

TR-215/2/24

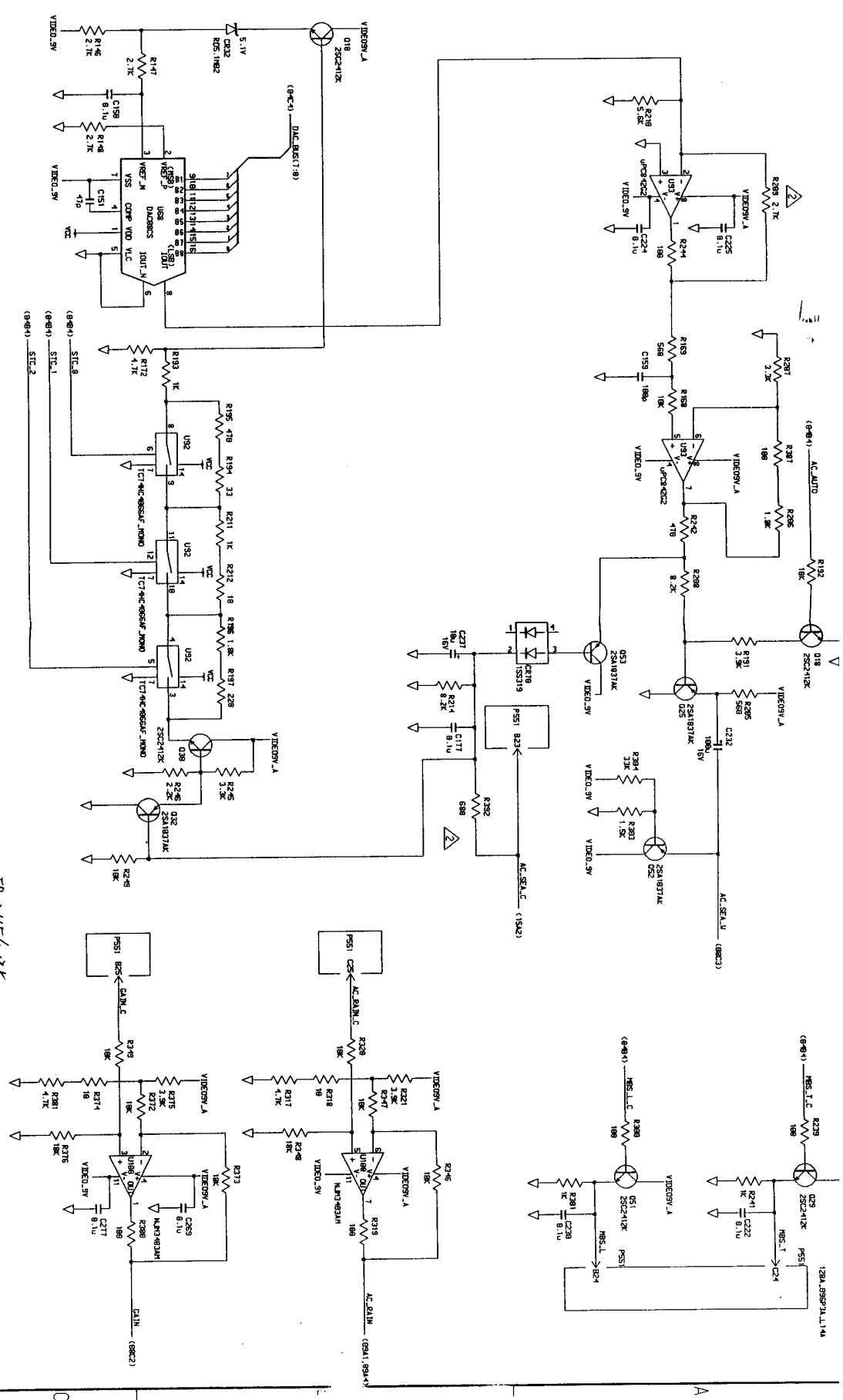
FURUNO ELECTRIC CO., LTD.



03E2-4911	MARK	DATE	8dd RGSB R308 remove C162	REV-5Y	APPRV
REV No.	MARK	DATE	REMARKS	REV-5Y	APPRV

(\*): not mount

FR-2105	CODE NO.	ITEM NO.	SHEET	10/17
APPRV	CHKCD	DSIGND	DRAHNS	
98.4.27	98.1.26	98.4.28	TIT	03P9253-22 SPU-Print
小林	北野	DWG No.	-LE	(VIDEO AMP BLOCK 3/5)
小林	北野	03-144-6013-3		
FURUNO ELECTRIC CO., LTD.				



VIDEO\_5V

VIDEO\_1V

VIDEO\_2V

VIDEO\_3V

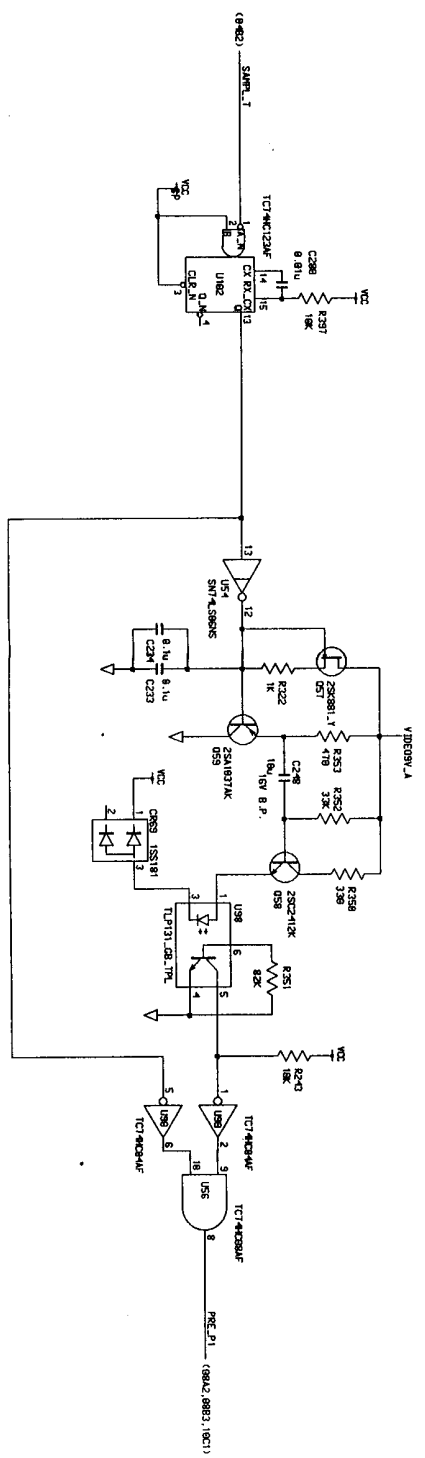
03E2-4911	REV No.	DATE	REMARKS
MARK	x2	'98. 4. 27	change R209, R392

FR-2105	CODE NO.	
FR-2105	ITEM NO.	
DRAIN	DRAIN	
CHKD	DISTND	
APPRV		
	TIT	03P9253-22 SPU-Print
		(VIDEO AMP BLOCK 4/5)
	DWG No.	03-144-6013-3
SHEET 11/17		

FURUNO ELECTRIC CO., LTD.

REV No.	MARK	DATE	REMARKS	REV-BY	APPRV
△	X				
△	X				
△	X				
△	X				
△	X				

M	FR-2105	CODE NO.		SHEET	12/17
L	87245	ITEM NO.		No.	
APPRV	CHCKD	DSIGND	DRAIN	TIT	03P9253-22 SPU-Print
98.4.28	98.1.28	98.4.28		-LE	(VIDEO AMP BLOCK 5/5)
林	野			DWG No.	03-144-6013-3
FURUNO ELECTRIC CO., LTD.					



1

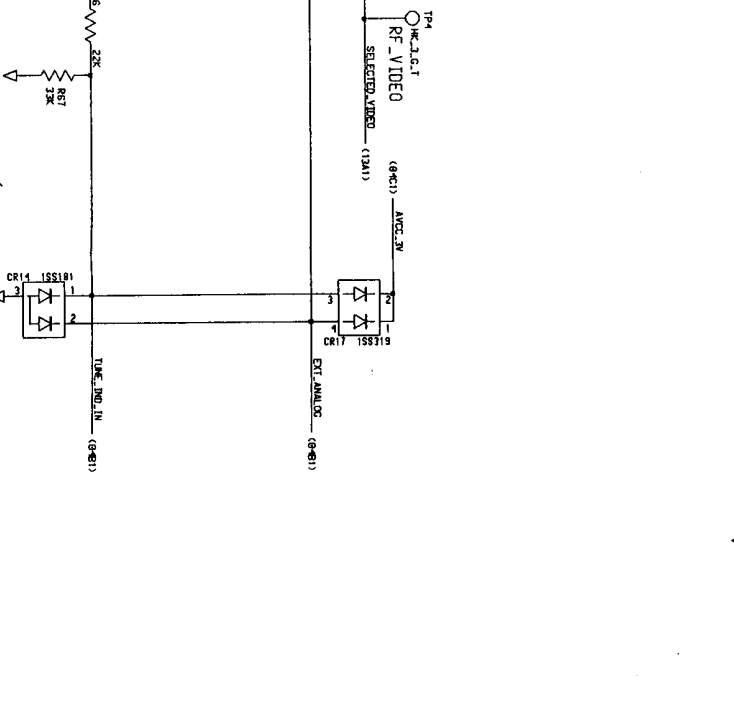
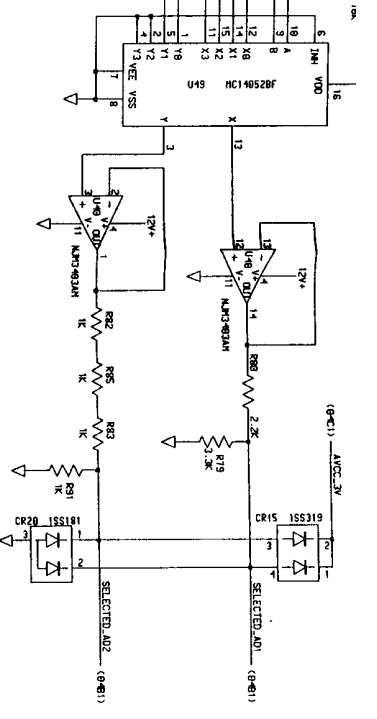
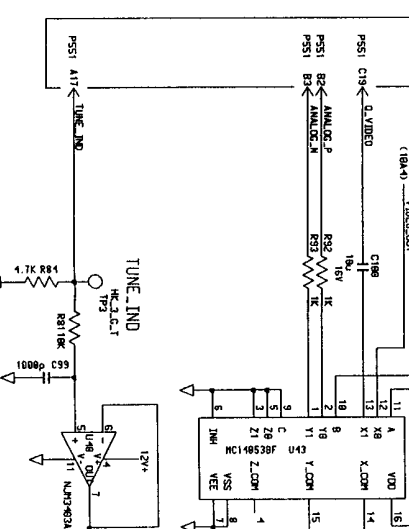
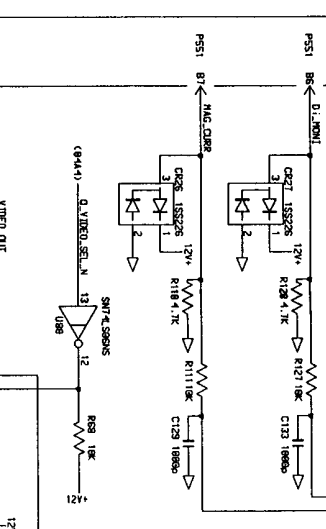
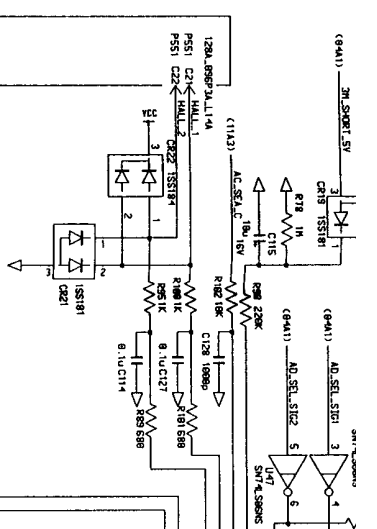
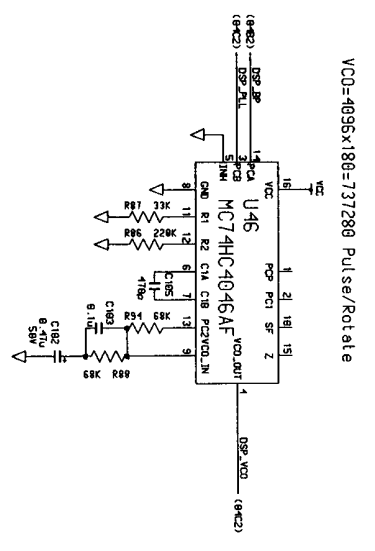
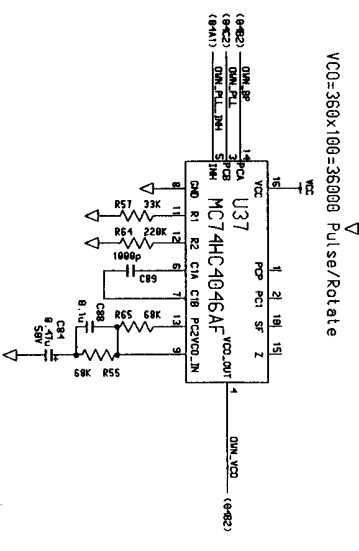
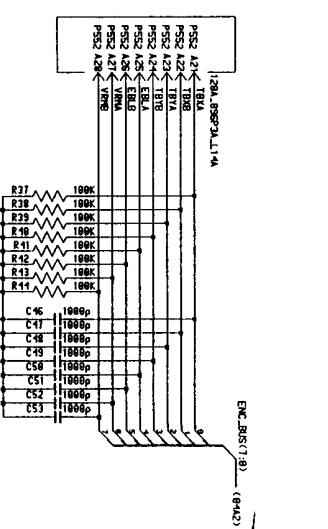
2

3

FR-2105/15





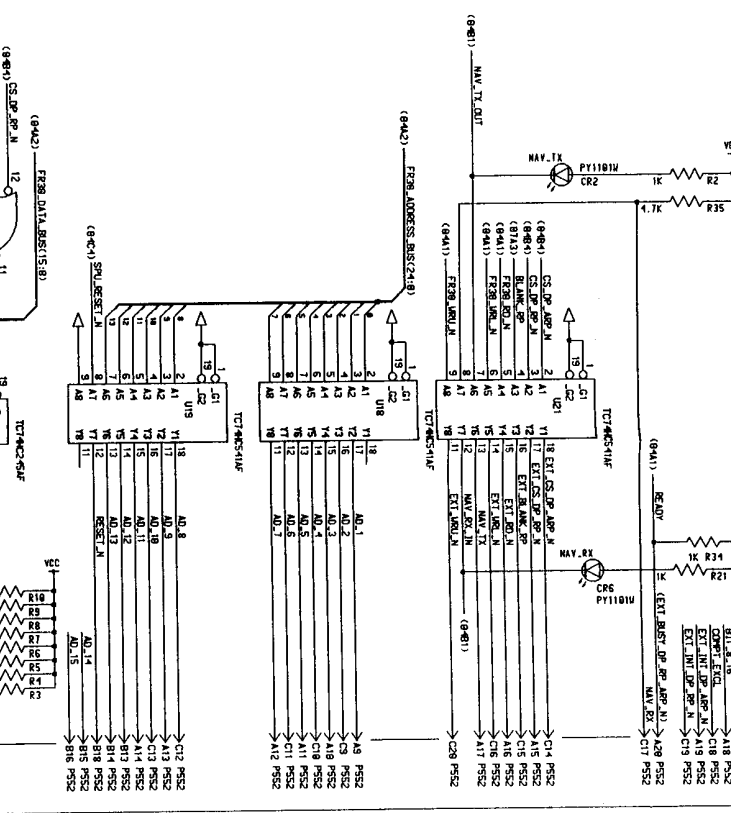
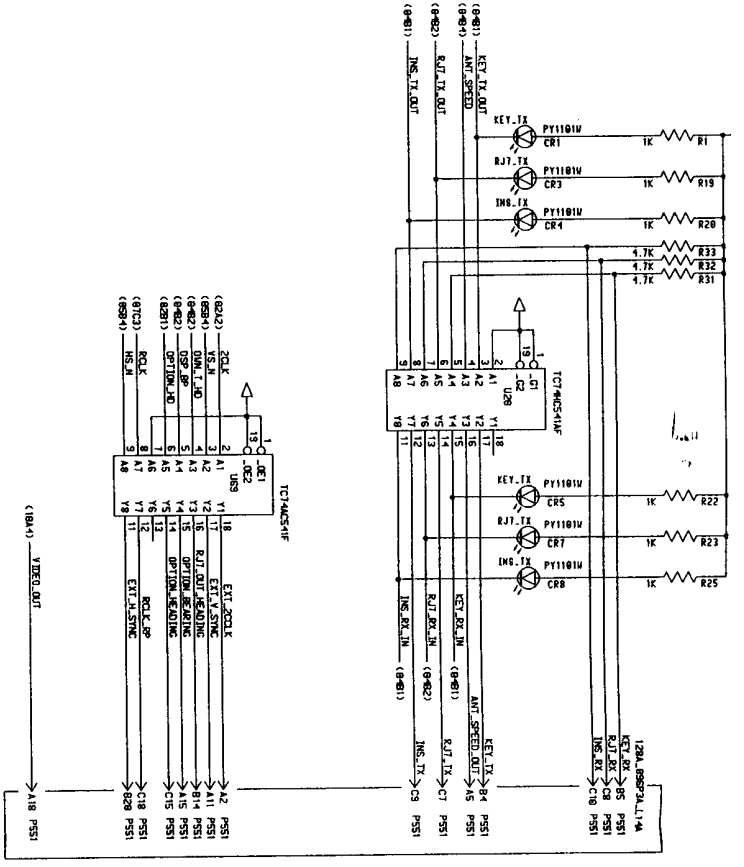


REV. NO.	MARK	DATE	REMARKS	REV-BY	APPV

FR-2105			CODE NO.			SHEET 15/17					
APPV	CHKD	DSIGND	DRAWN	TIT	03P9253-22 SPU-Print						
98.4.28	98.1.26	98.4.28		-LE	(Signal I/O 1)						
FR-2105/H/S											
北野			北野			DMG No. 03-144-6013-3			FURUNO ELECTRIC CO., LTD.		





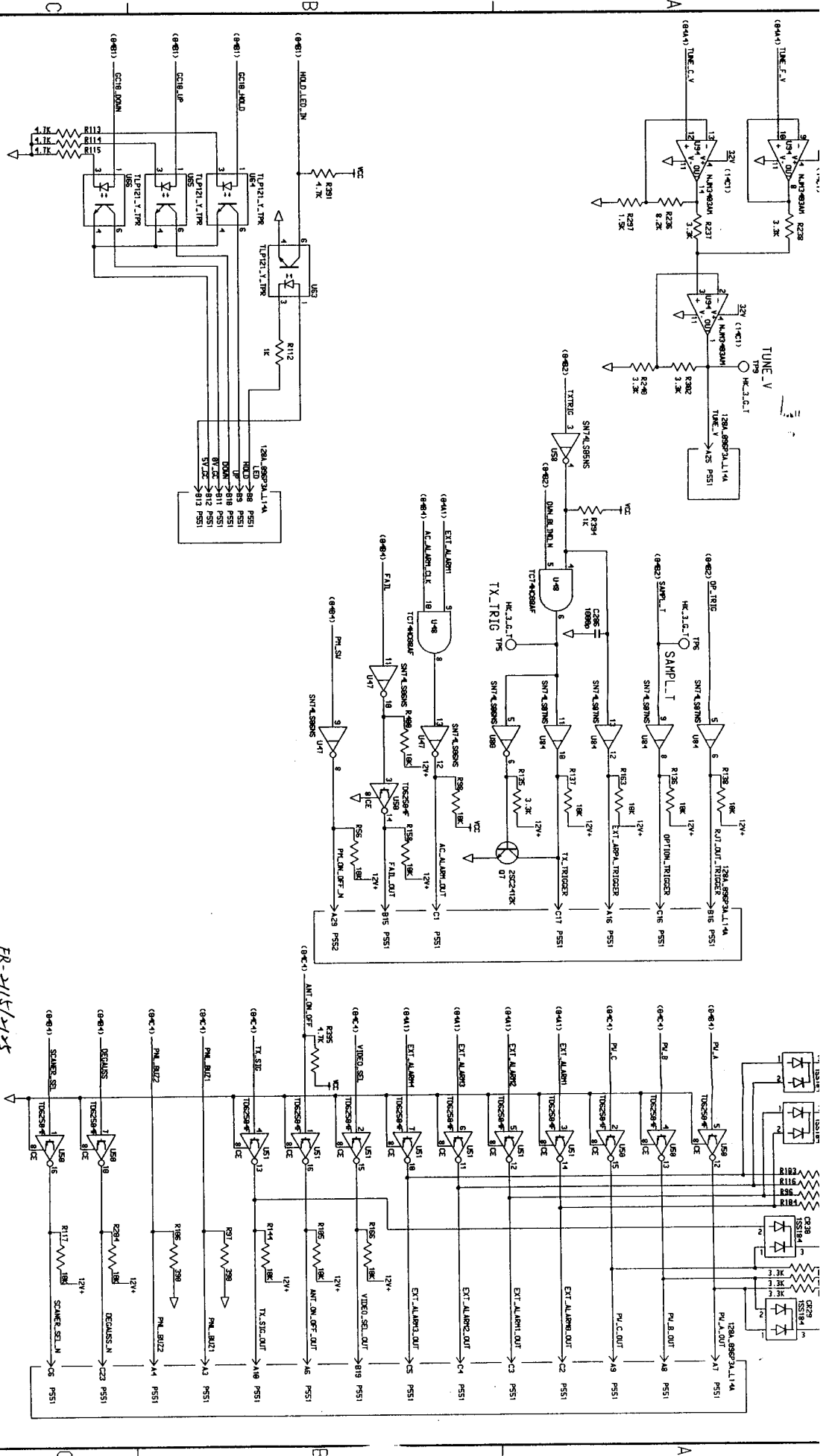
REV. NO.	MARK	DATE	REMARKS	REV. BY	APPRV
1	X				
2	X				
3	X				

CODE No.	FR-2105	SHEET No.	16/17
ITEM No.		DRAWN	TIT
OSIGND	98.1.26	DWG No.	03-144-6013-3
CHKD	98.4.29		
APPRV			

FR-2105/1-15

FURUNO ELECTRIC CO., LTD.



REV. NO.	MARK	DATE	REMARKS	REV. BY	APPRV
1	X				
2	X				
3	X				

FR-2105/2105

CODE NO. FR-2105

ITEM NO. 681.05

DESIGN DRAIN TIT

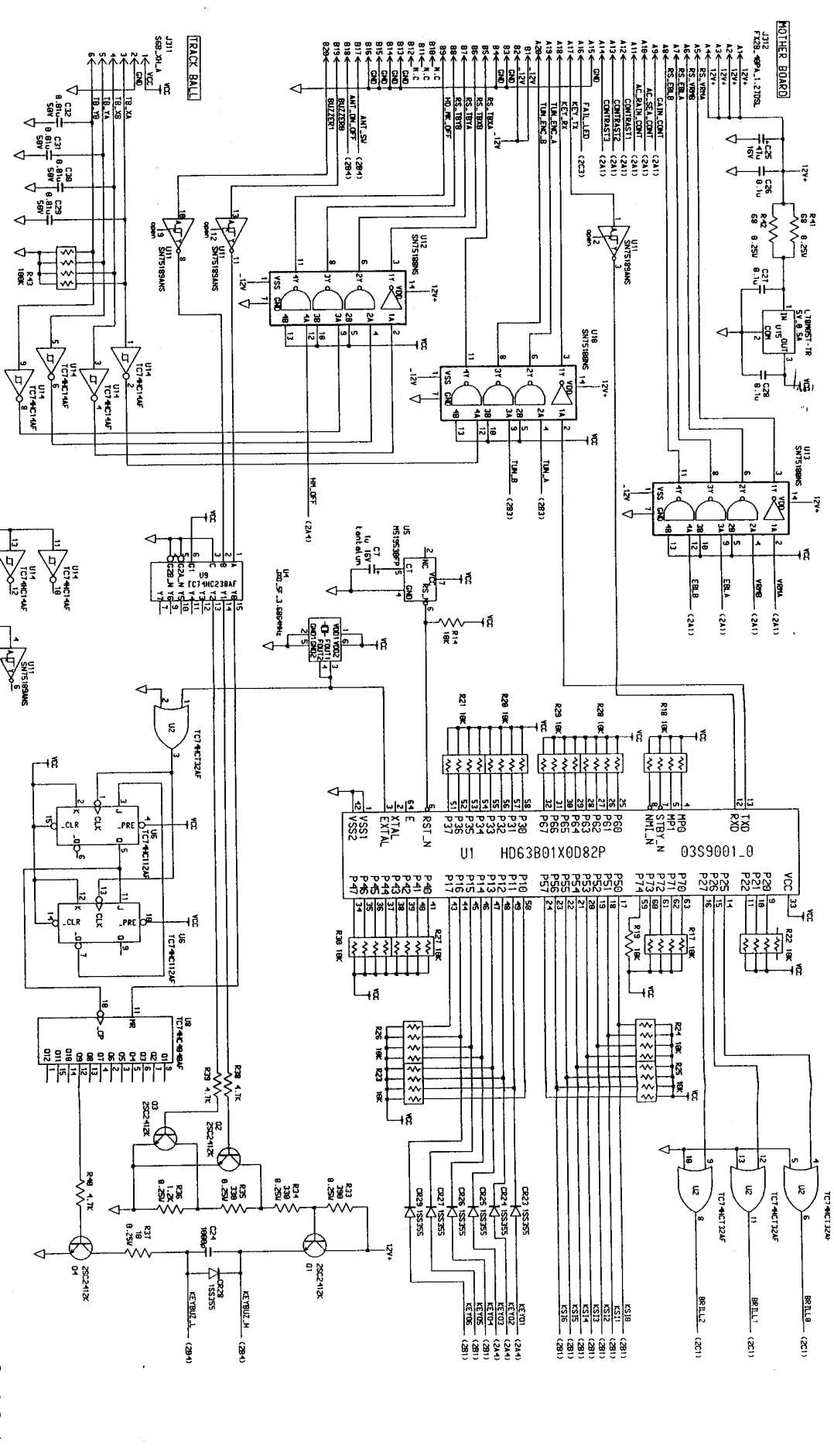
DATE 98.1.26 98.1.26 98.4.28

DWG. NO. 03-144-6013-3

SHEET 17/17

NO. 03P9253-22 SPU-Print (Signal I/O 3)

FURUNO ELECTRIC CO., LTD.



REV. NO.	MARK	DATE	REMARKS	REV. BY	APPRV

1. 特記の接点の容量は 1/10(W)	CODE NO.	FR-2105 SERIES	03P9255-11
2. 特記のコンデンサの耐圧は 50(V)	ITEM NO.		
	CHKD		
	DSIGN		
	DRAIN		
	TIT		
	-LE		
	DWG NO.		

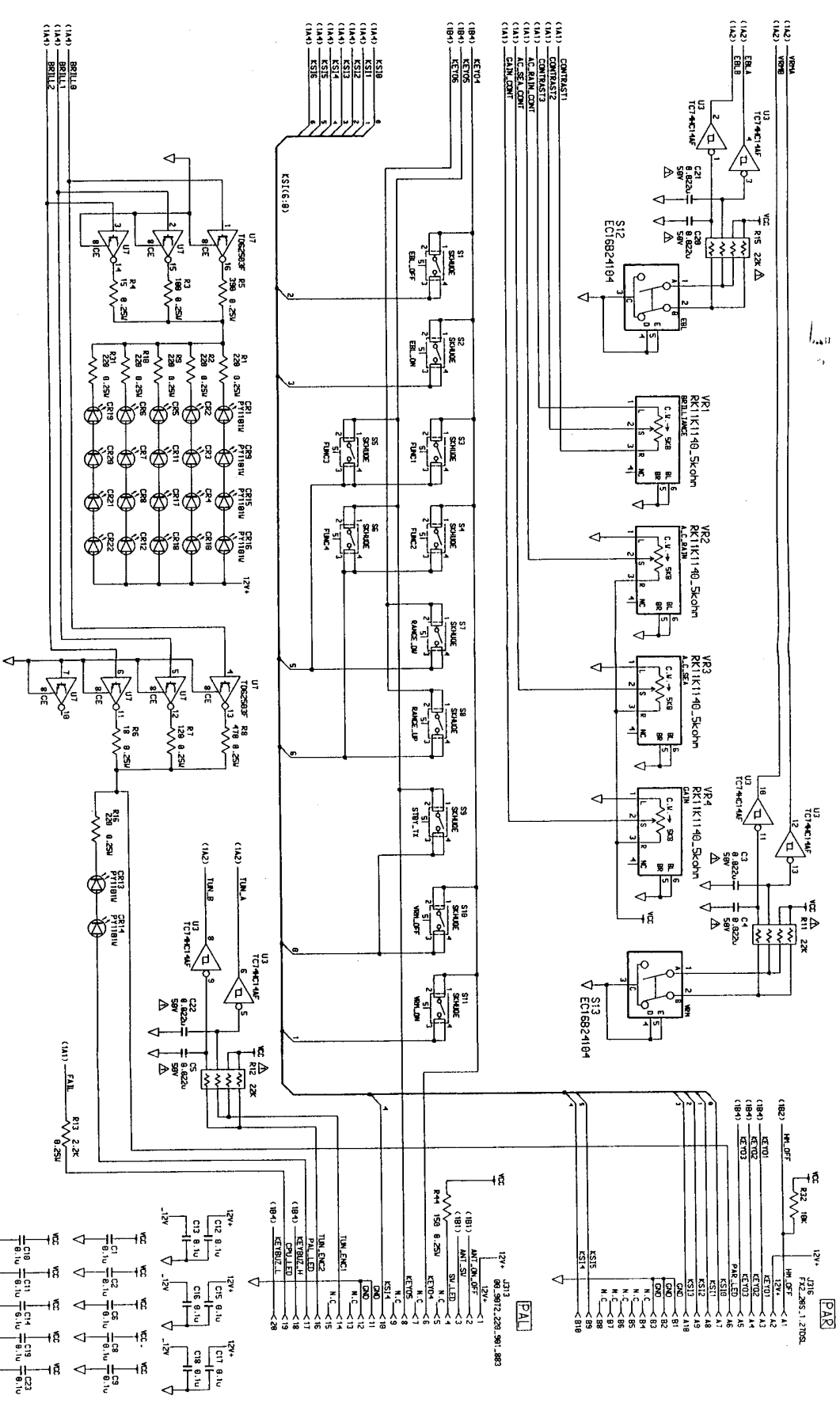

  

03P9255-11

SHEET NO. 1/2

FURUNO ELECTRIC CO., LTD.



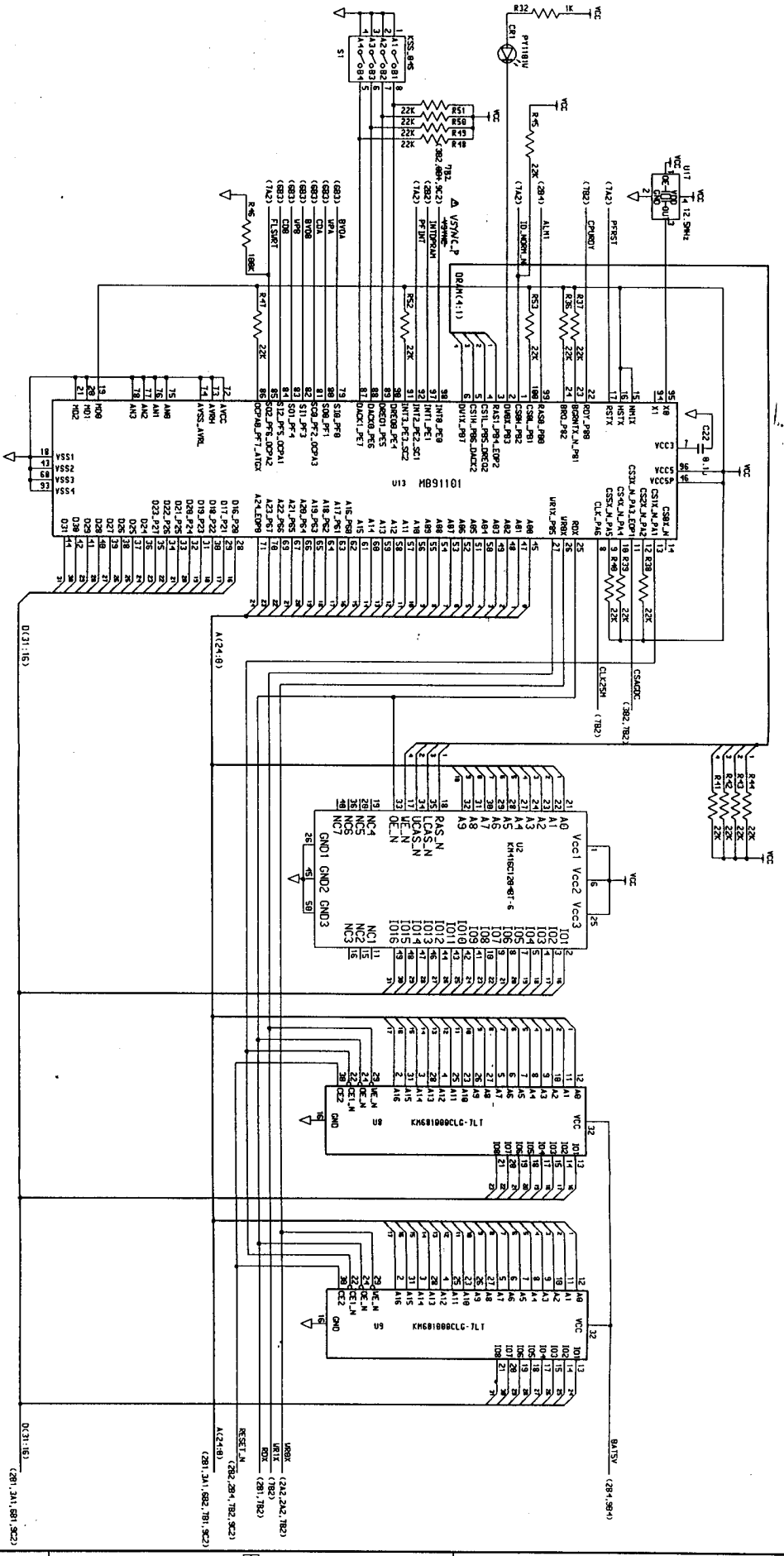
REV No.	HARK	DATE	1998.4.3	REV. BY	APPRV	REMARKS	1
03E2-4891	HARK	DATE	1998.4.3	REV. BY	APPRV	REMARKS	2
							3

FR-2185 SERIES		CODE NO.	03P9255-11
APPRV	CHKD	DSIGND	DRAWN
H10.4.3	97.11.25	98.4.3	TIT
			-LE
CENTER PANEL PRINT			03P9255 (P.NL)
DWG No.			03-144-6015-1
SHEET NO.			2/2

FURUND ELECTRIC CO., LTD.

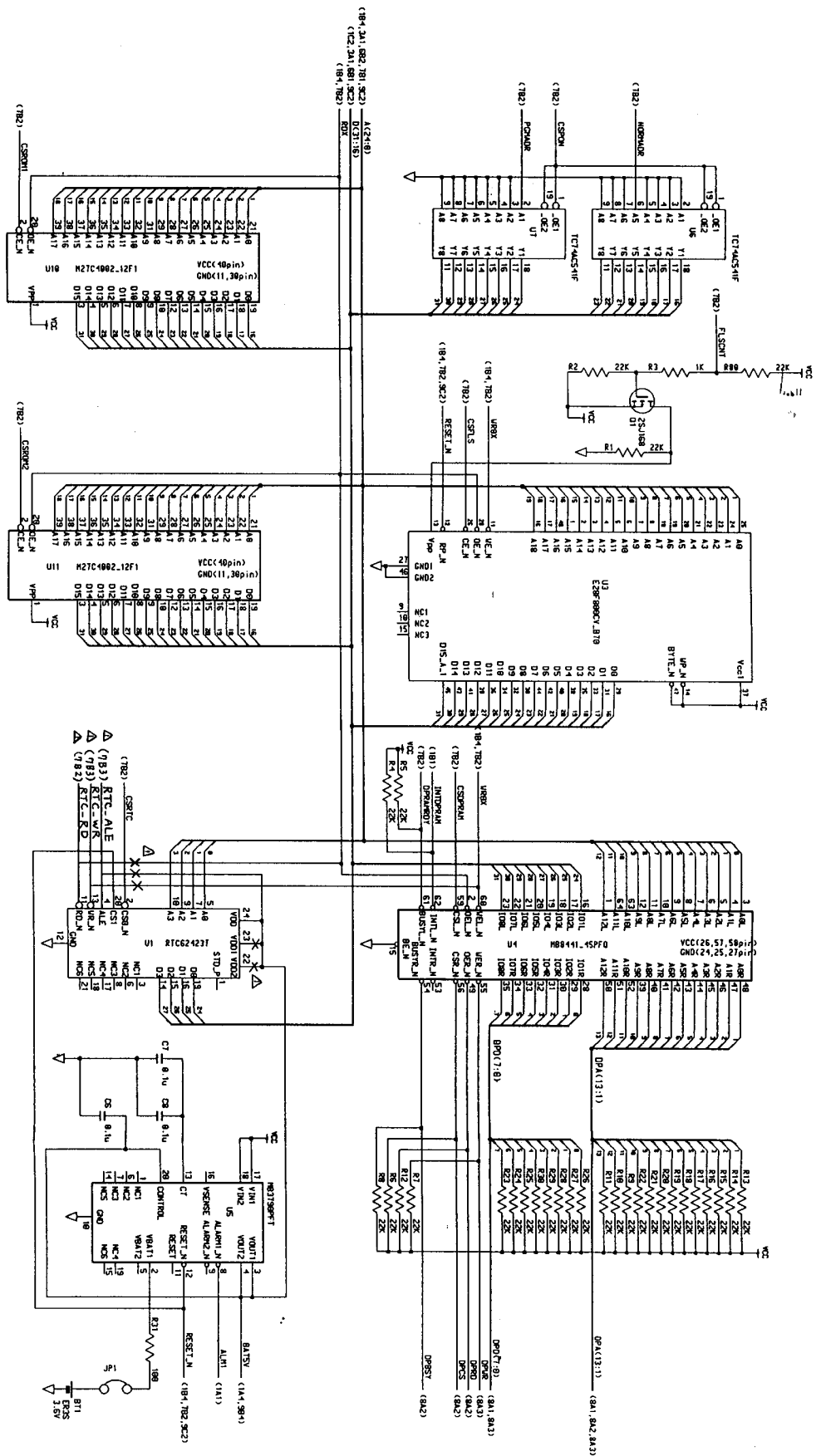


REV No.	MARK	DATE	REMARKS	REV-BY	APPRV
1	X	98.2.13	提出訂正	池村	(Signature)
2	X				
3	X				

FURUNO ELECTRIC CO., LTD.

FR-2115	CODE No.		SHEET
(RP-26)	ITEM No.		No. 1/9
APPRV	CHKD	DRAIN	TIT
(Signature)	(Signature)	(Signature)	RP-PRINT (14P0298)
03.1.28	03.1.28	98.1.26	DWG
			NO. 03-144-6017-1

10011-1

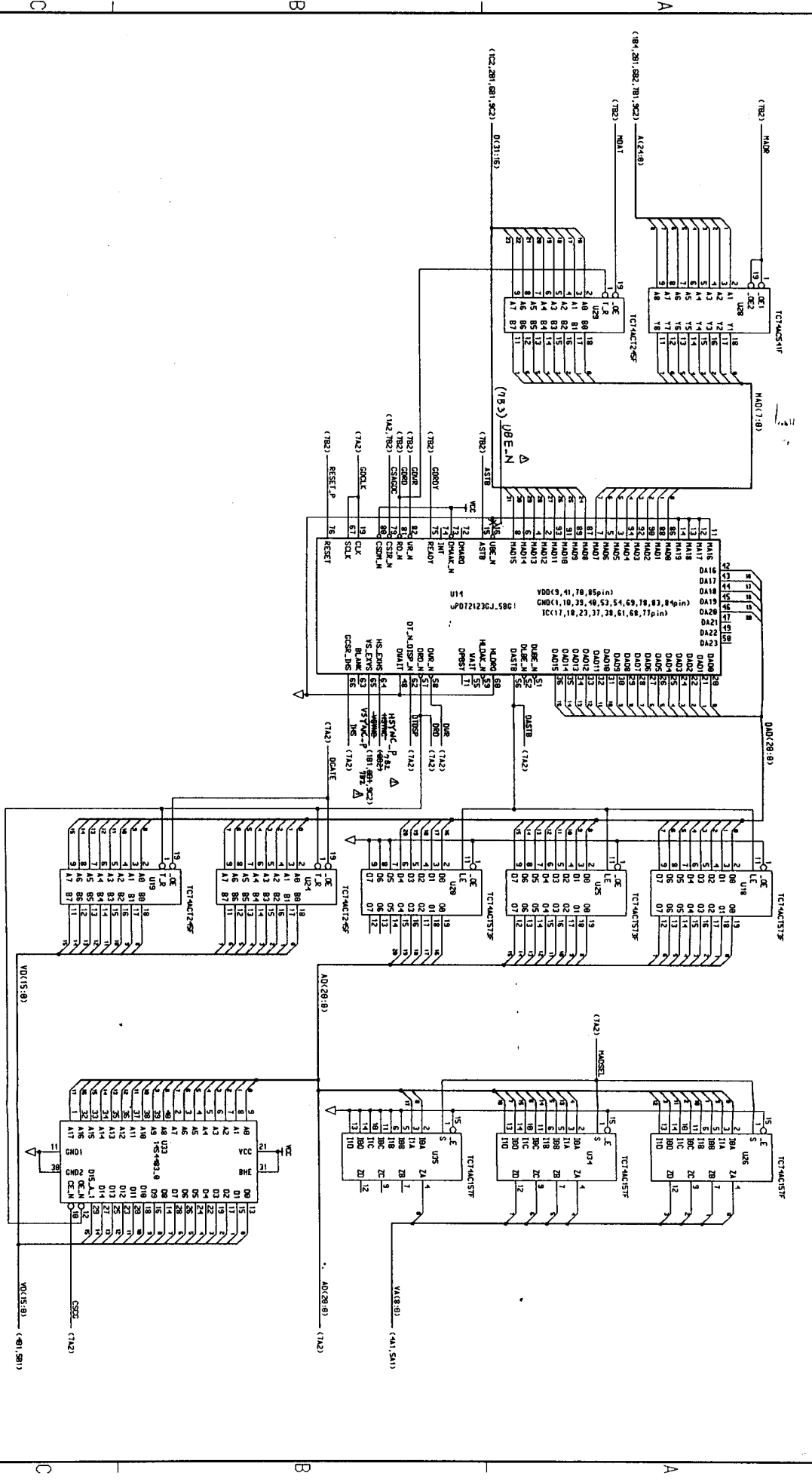


REV. NO.	MARK	DATE	REMARKS	REV. BY	APPROV.
1	X	98.2.13	議定訂正		
2	X				
3	X				
4	X				
5	X				

U10, U11 不実装しなさい。

FR-2115	CODE No.		SHEET	2
(RP-26)	ITEM No.		No.	
APPRV	CHECKD	USIGND	DRAWN	TIT
19.1.25	19.1.23	93.1.16		RP-PRINT (14P0298)
西村	西村	西村		
MISUMURA	DWG No.	03-144-6017-1		

FURUNO ELECTRIC CO., LTD.

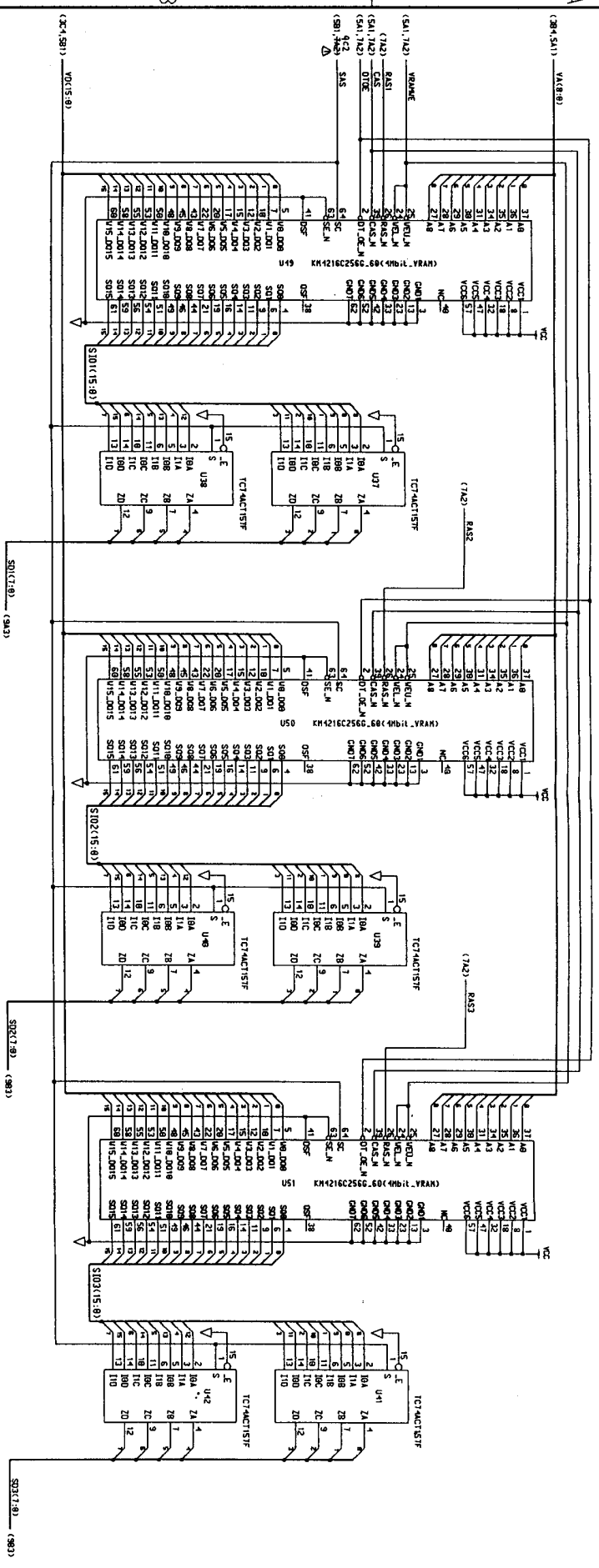


REV. NO.	MARK	DATE	REMARKS	REV. BY	APPRV
1	△x3	98.2.13	強記訂正	西村	(Signature)
2	△x3				
3	△x3				

FR-215	CODE No.	
(RP-26)	ITEM No.	
DRAWN	DATE	98.1.26
DWG No.		03-144-6017-1

APPRV	CHECKD	DSIGND	DRAWN	TIT	SHEET No.
(Signature)	(Signature)	(Signature)	(Signature)	RP-PRINT (14P0298)	3
NISHIMURA				03-144-6017-1	

FURUNO ELECTRIC CO., LTD.



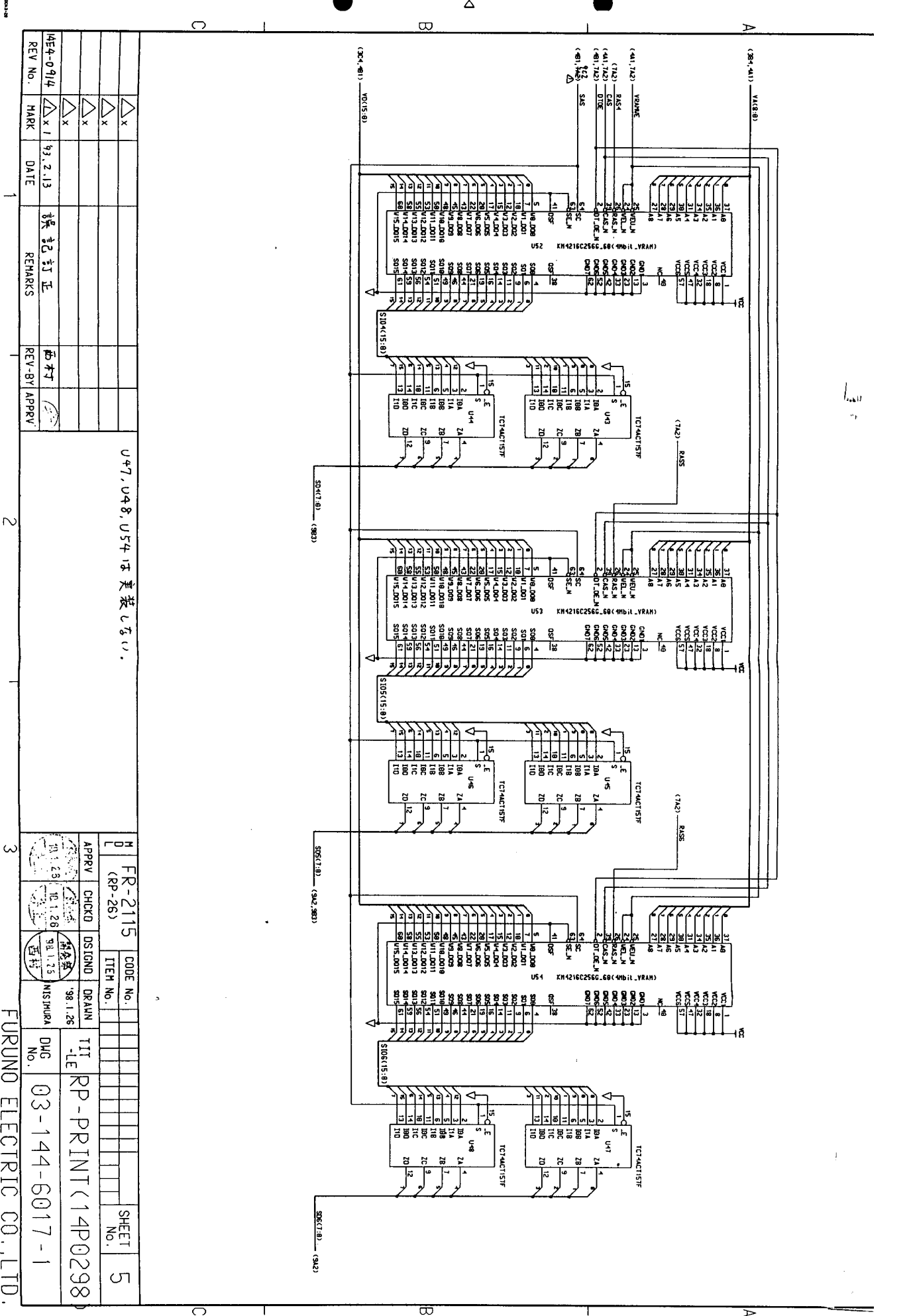
REV No.	1	2	3
HARK	DATE	REV-BY	APPRV
14E4-0914	88.2.13	西村	(Signature)
REMARKS	誤記訂正		

FR-215	CODE No.		SHEET
(RP-26)	ITEM No.		No. 4
CHKD	DSIGND	DRAIN	TIT
(Signature)	(Signature)	98.1.26	RP-PRINT(14P0298)
13.1.28	13.1.28	西村	DWG No.
(Signature)	(Signature)	西村	03-144-6017-1
		MISIMURA	

FURUNO ELECTRIC CO., LTD.





U47, U48, U54 実装して頂。

REV No.	△ x 1	93.2.13	誤記訂正	西村
MARK		DATE	REMARKS	REV BY APPRV

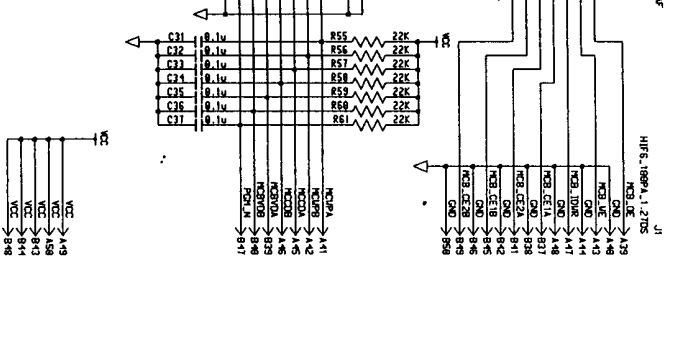
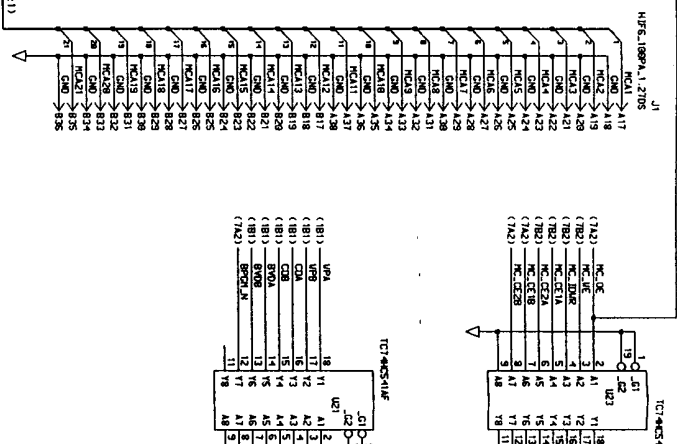
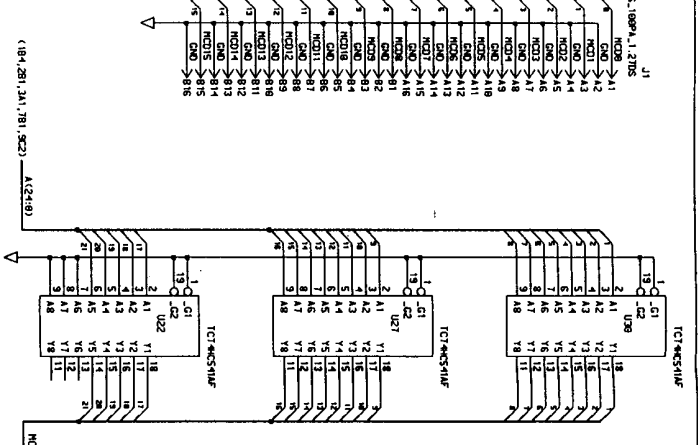
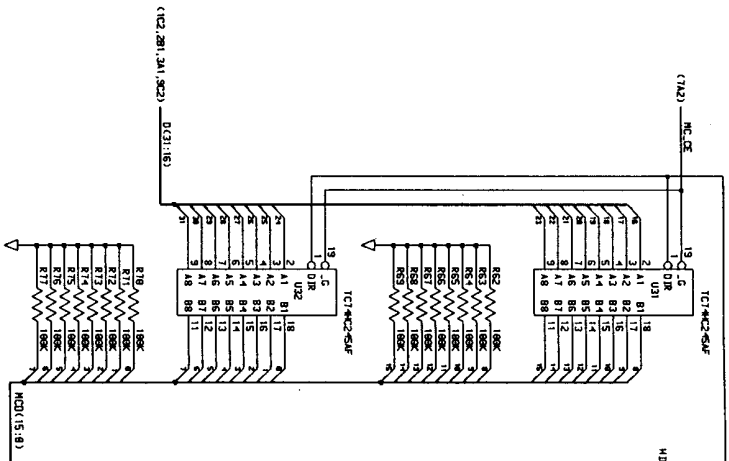
1

2

3

APPRV	CHKD	DESIGN	DRAWN	DATE	CODE No.	SHEET No. 5
(Signature)	(Signature)	(Signature)	(Signature)	93.1.26	FR-2115	
(Signature)	(Signature)	(Signature)	(Signature)	93.1.26	(RP-26)	
TIT				DWG No.	ITEM No.	
-LE				03-144-6017-1		
RP-PRINT (14P0298)				NISHIMURA		

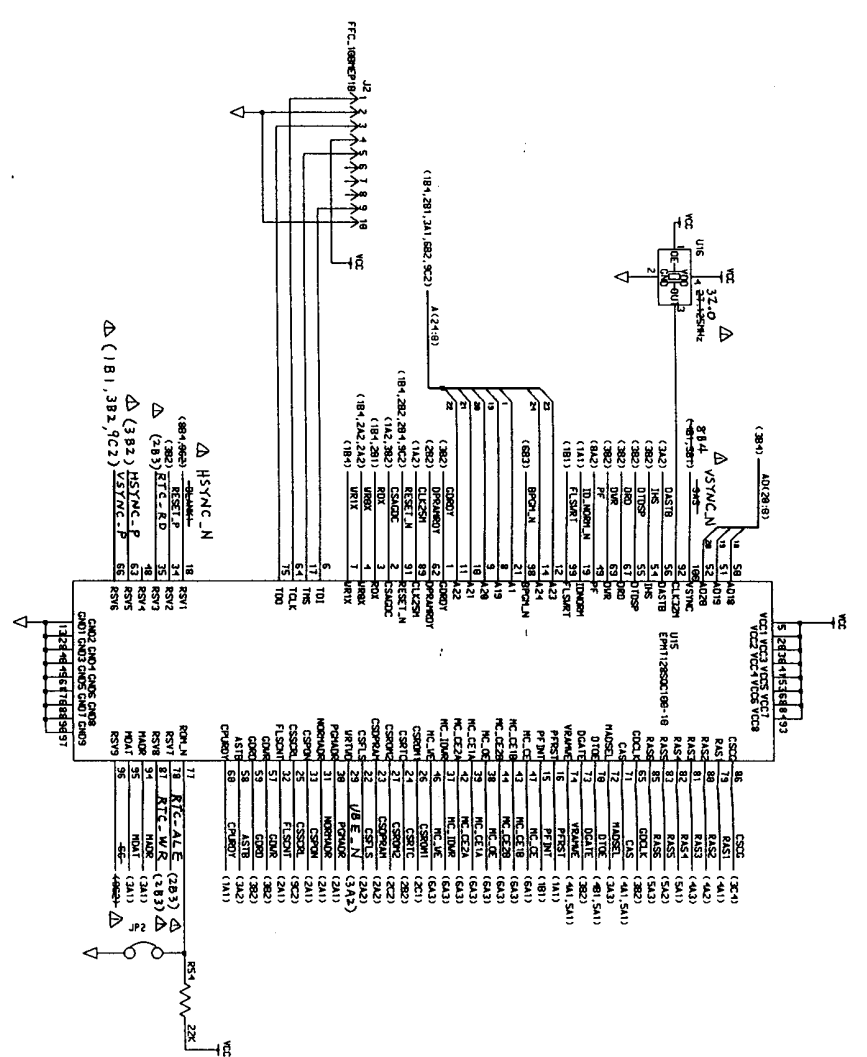
FURUNO ELECTRIC CO., LTD.



REV No.	MARK	DATE	REMARKS	REV-BY	APPRV
1	X				
	X				
	X				
	X				

(19, 28) (2A) (3C2)	D(21; 16)	U1	IC1 74LS164	NC1A(15; 8)
(19, 28) (2A) (3C2)	A(24; 8)	U2	IC2 74LS164	NC1A(15; 8)
(19, 28) (2A) (3C2)	A(24; 8)	U3	IC3 74LS164	NC1A(21; 11)
(19, 28) (2A) (3C2)	A(24; 8)	U4	IC4 74LS164	NC1A(21; 11)

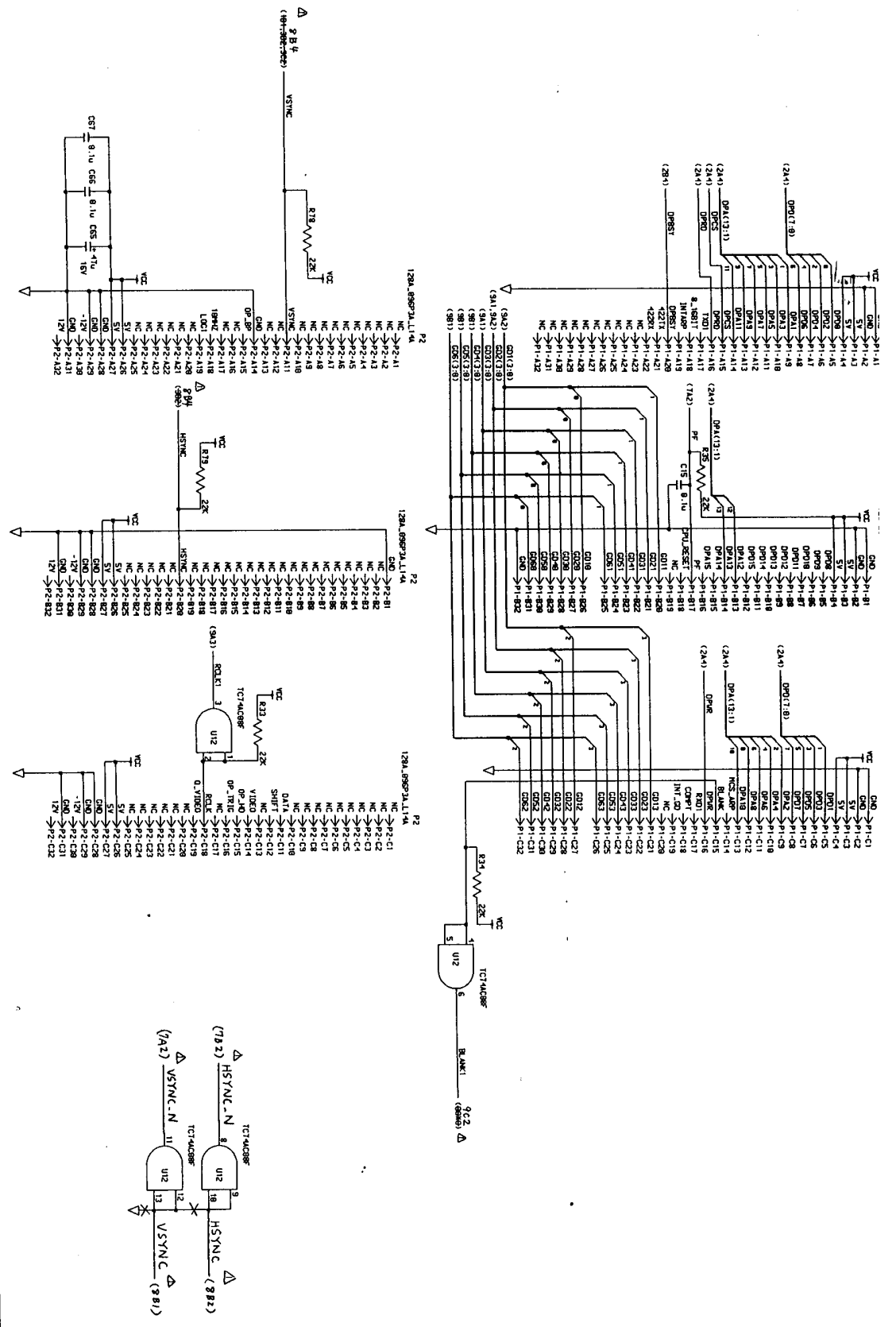
FR-2115 (RP-26)		CODE No.	SHEET No.
APPRV	CHECKD	DSIGND	DRAWN
10.1.26	10.1.26	98.1.26	98.1.26
TIT		RP-PRINT (14P0298)	
DMG No.		03-144-6017-1	



REV No.	MARK	DATE	REMARKS	REV-BY	APPROV
REV-0714	△x9	98.2.13	UIP-用回路変更、設計訂正	西村	
	△x				
	△x				
	△x				

APPV	CHKD	DSIGND	DRAIN	TIT	DWG No.	SHEET No.
FR-2115 (RP-26)			98.1.26	RP-PRINT (14P0298)	03-144-6017-1	7
			98.1.26			

FURUNO ELECTRIC CO., LTD.

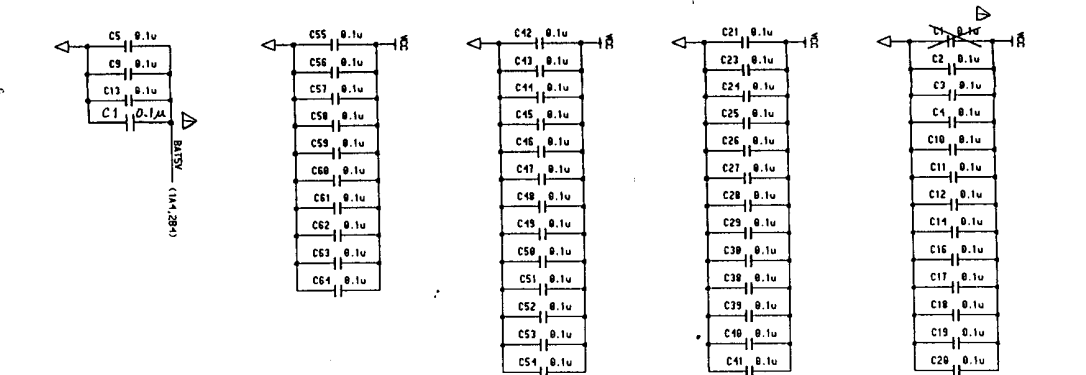
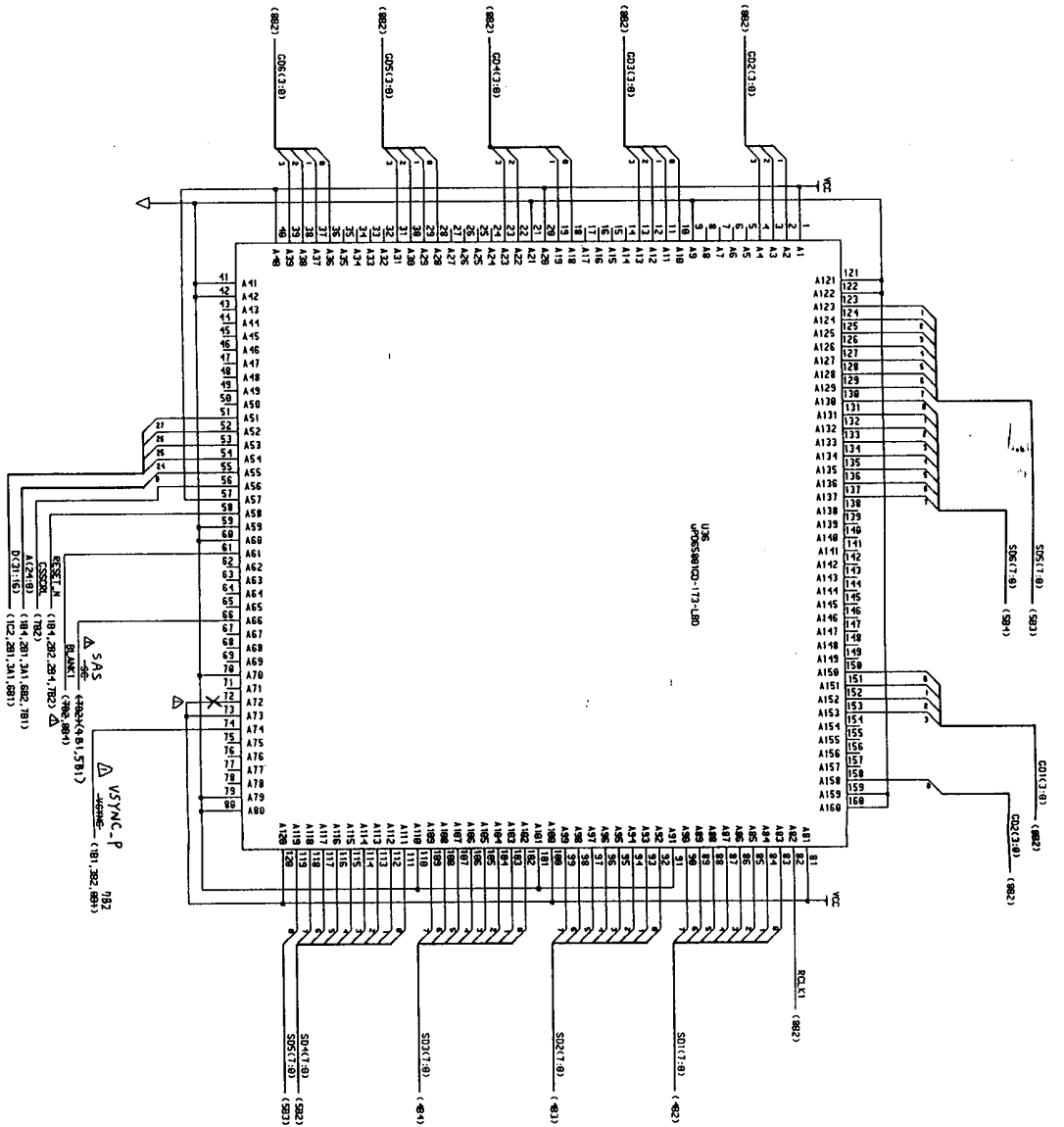


REV. No.	DATE	REMARKS	REV. BY	APPROV.
4E4-0914	98.2.13	部品記訂正	西村	(Signature)
△x7				
△x7				
△x7				
△x7				
△x7				

1 2 3

FR-2115 (Rp-26)	CODE No.	SHEET No.
CHKD	DESIGN	8
APPRV	DRAIN	
98.1.28	98.1.26	
98.1.28	NISHIMURA	
TIT RP-PRINT (14P0298)		
DNG No. 03-144-6017-1		

FURUO ELECTRIC CO., LTD.

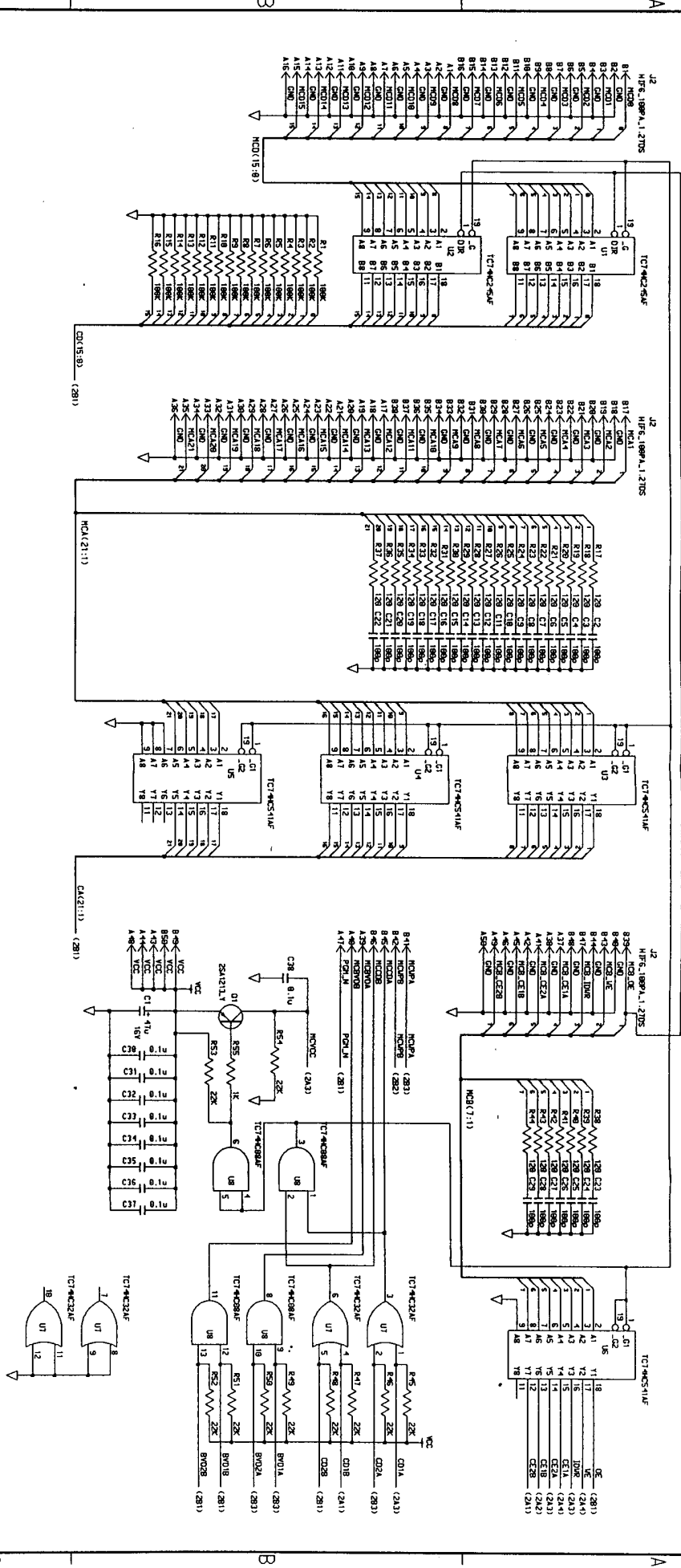


REV No.	MARK	DATE	REMARKS	REV-BY	APPRV
1	△x6	98.2.13	誤記訂正	中村	
	△x				
	△x				

FR-2115	CODE No.	
(RP-26)	ITEM No.	
98.1.26	DRAWN	
98.1.26	TIT	RP-PRINT(14P0298)
98.1.26	DWG No.	03-144-6017-1

APPRV	CHKD	OSIOND	DRAWN	TIT	DWG No.
98.1.26	98.1.23	98.1.26	98.1.26	RP-PRINT(14P0298)	03-144-6017-1

FURUND ELECTRIC CO., LTD.



REV. NO.	MARK	DATE	REMARKS	REV-BY	APPRV
	△				
	△				
	△				
	△				
	△				
	△				
	△				
	△				
	△				

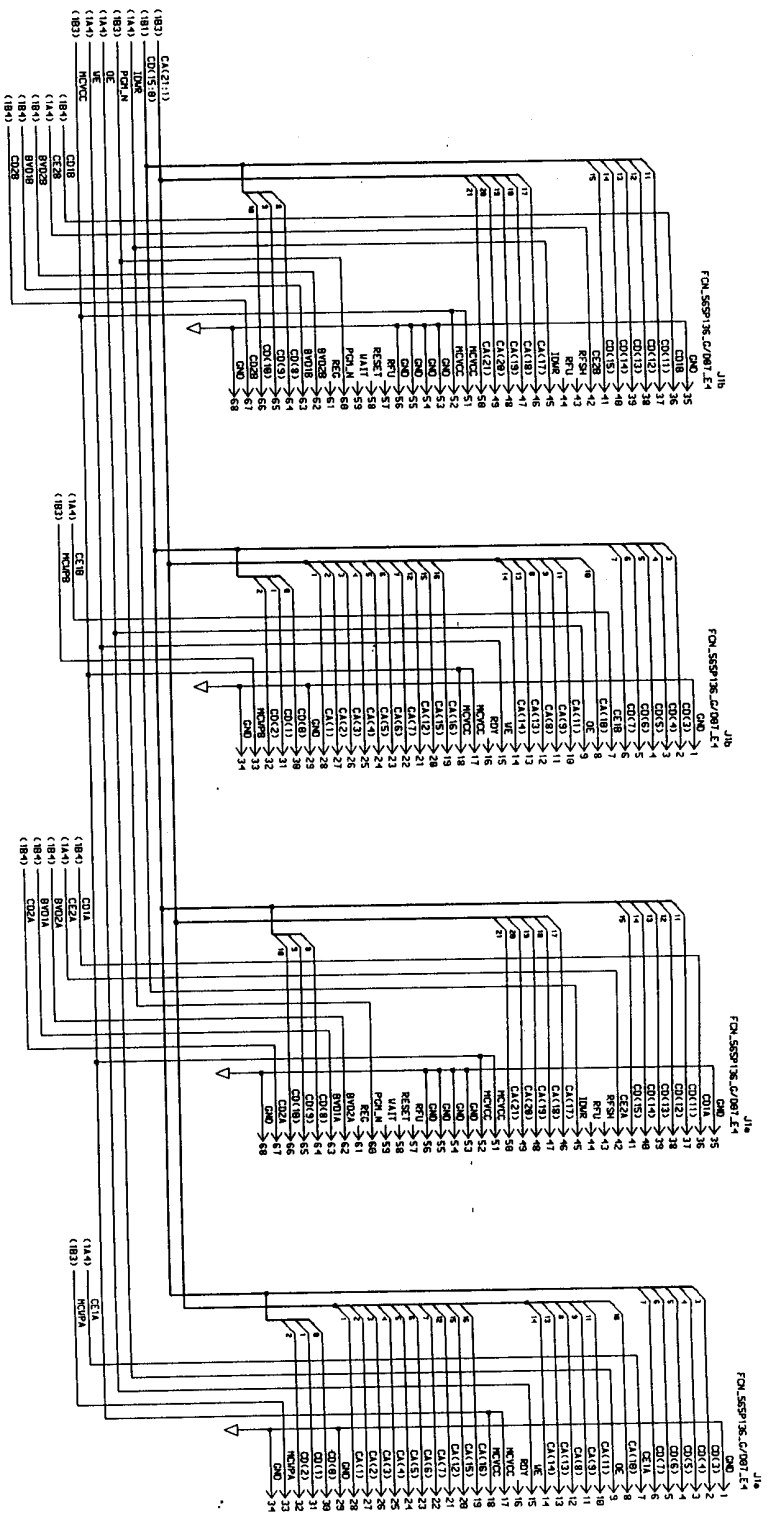
  

FR-2115	CODE No.	
(RP-26)	ITEM No.	
APPRV	CHECKD	DSIGND
DRAWN		
NISHIMURA		
TIT		
-LE		
IF-PRINT (14P0299)		
DWG No.	03-144-6018-0	

SHEET	1/2
-------	-----

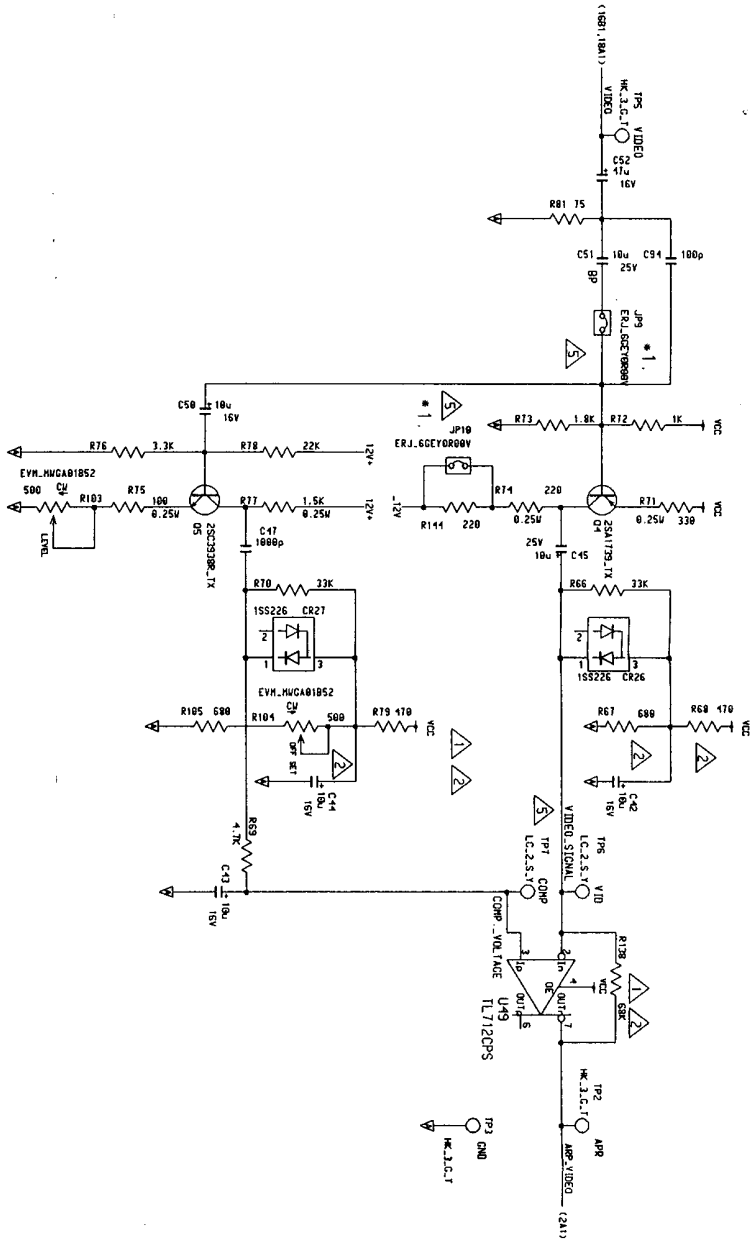
FURUNO ELECTRIC CO., LTD.



REV No.	DATE	REMARKS	REV-BY	APPRV
△ X				
△ X				
△ X				
△ X				

REV No.	DATE	REMARKS	REV-BY	APPRV
△ X				
△ X				
△ X				
△ X				

FR-2115		CODE NO.		SHEET	
(RP-26)		ITEM NO.		No. 2/2	
APPRV	CHECKD	DSIGND	DRAWN	TITLE	
10.1.26	10.1.26	98.1.26	98.1.26	IF-PRINT (14P0299)	
MISUMURA		MISUMURA		DWG No.	
西村		西村		03-144-6018-0	
FURUNO ELECTRIC CO., LTD.					



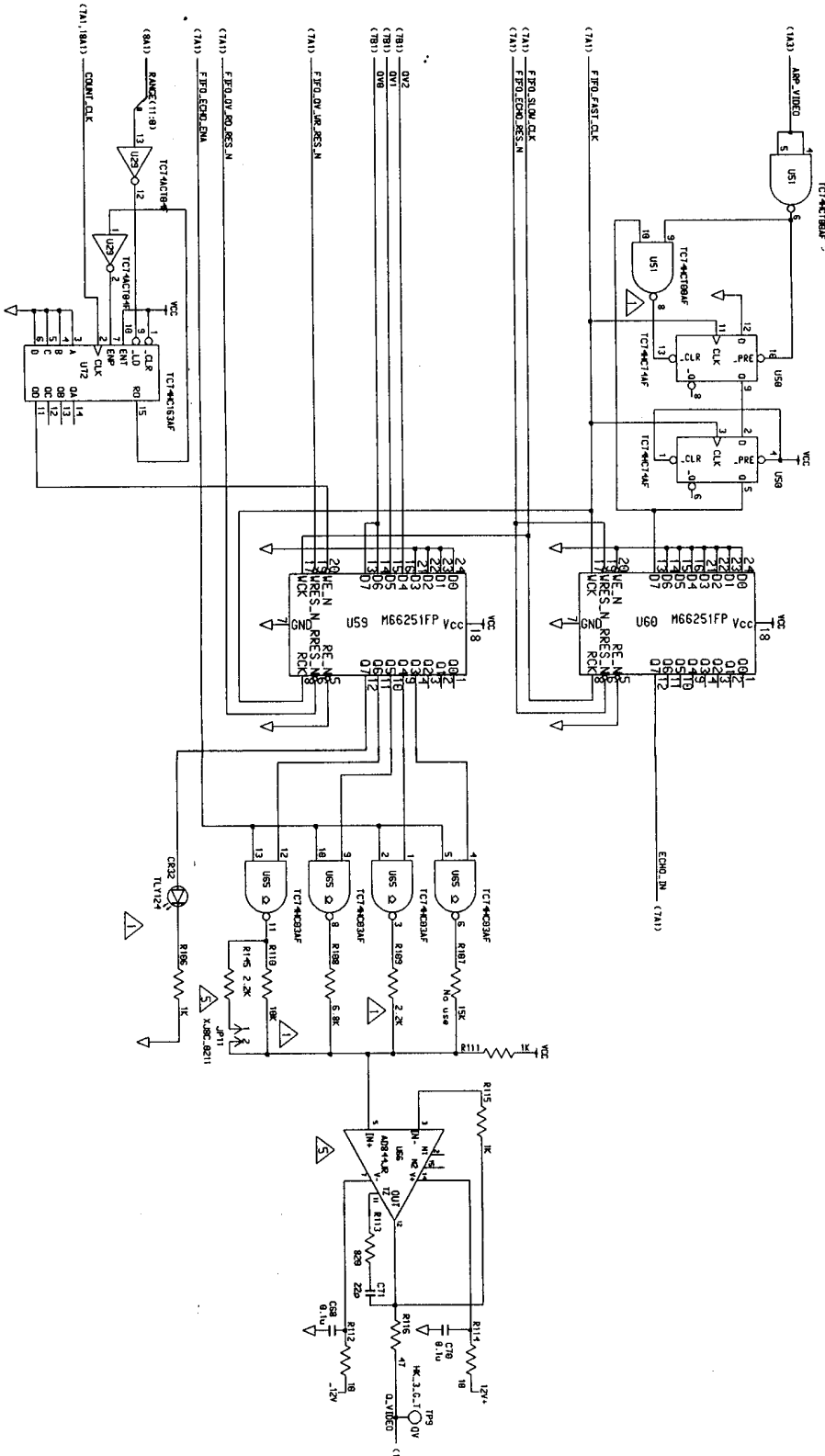
\*1. Open JP9 and JP10 for Video Signal Differentiation

REV No.	HARK	DATE	REMARKS	REV-BY
03E2-4160	△ x 2	1993.09.20		ltou-u
03E2-4170	△ x 5	1993.10.12	Video Bias Resistors	ltou-u
03E2-4202	△ x 3	1994.02.04	Add Video Diff. Circuit	ltou-u

FR-2115/2125

APPRV	CHKCD	DSIGND	DRAIN	TIT	SHEET No.
H6-610	1993.05.12	1996.06.06		18P9002	1/19
Y.ITOU	K.Harada			ARP-23, ARP-25, 26	
DWG No.	18-124-6002-9				



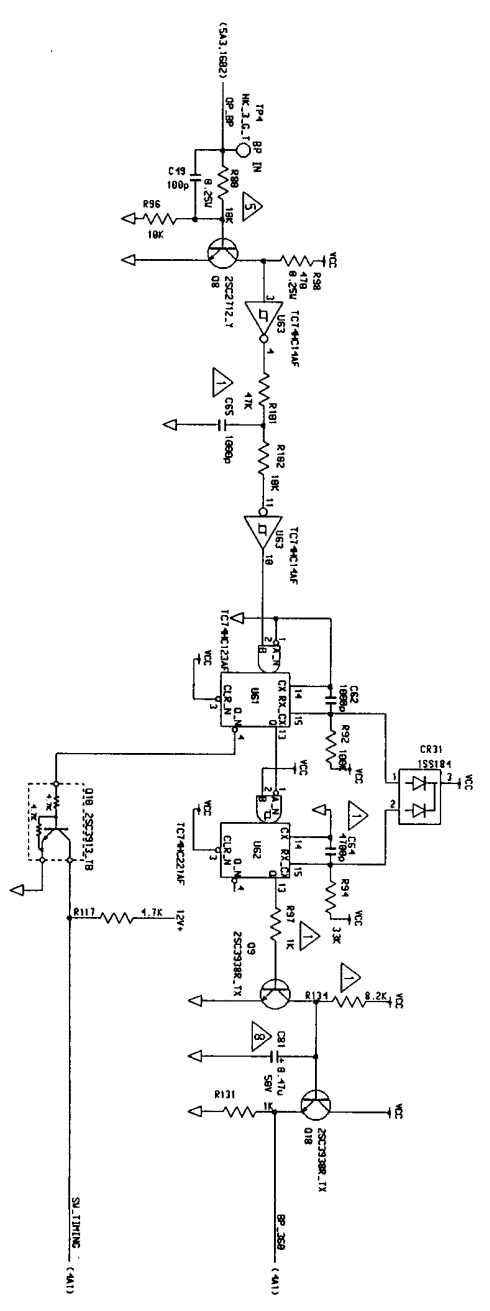


REV No.	MARK	DATE	REMARKS	REV-BY
03E2-4202	△ x 2	1991.02.04	Exchange AD844M to AD844P. DV	!Lou-Y
03E2-4160	△ x 4	1993.09.20		!Lou-Y

△ x				
△ x				
△ x				

APPRV	CHKD	OSIGND	DRAIN	TIT	DWG	NO.	SHEET
H3	6:10	1993.05.12	1996.06.06	-LE	18P9002	ARP-23, ARP-25, 26	2/19
Suzuki				K.Herada		line conversion	
FURUND ELECTRIC CO., LTD.						18-124-6002-9	

\* Install JP11 for enhance DV level



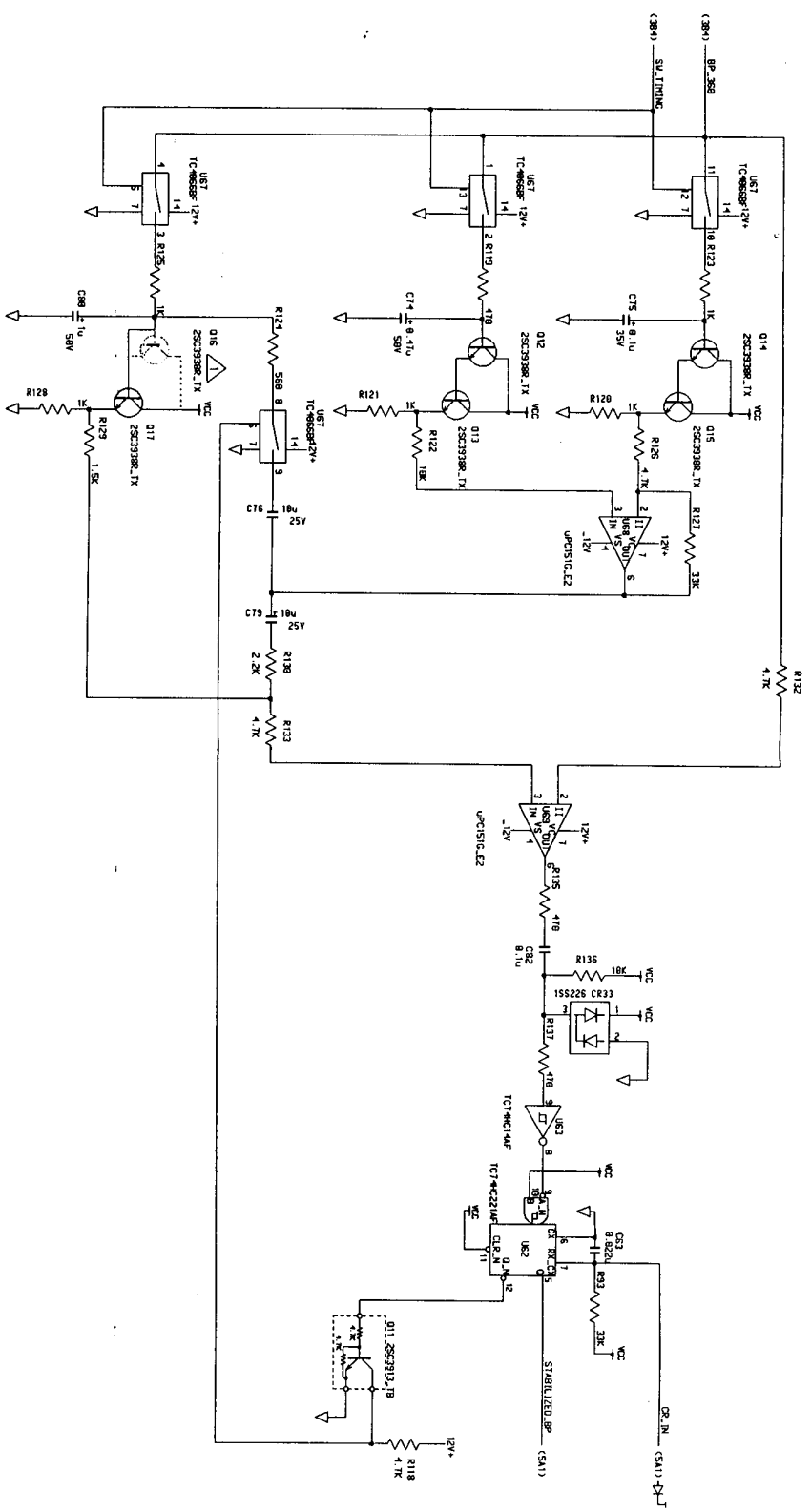
REV. NO.	MARK	DATE	REMARKS	REV. BY
03E2-4627	△ x 1	1995.05.09	change C81 (1u -> 0.47)	harada
03E2-4202	△ x 1	1994.02.04	Increase BP Input Impedance	itou y
03E2-4160	△ x 4	1993.09.20		itou y

REV. NO.	MARK	DATE	REMARKS	REV. BY
1				

FR-2115/2/25	FR-2108	FR-2805	FR-2805	FR-2805
APPRV	CHECKD	DSICOND	DRAWN	TIT
HS-6-10	1993.05.12	1995.05.12	1995.05.12	18P9002
Suzuki	RAD 2.8444	Suzuki	K. Harada	ARP-23, ARP-25, 26
DWG No.	18-124-6002-9			

FURUNO ELECTRIC CO., LTD.

SHEET No. 3/19



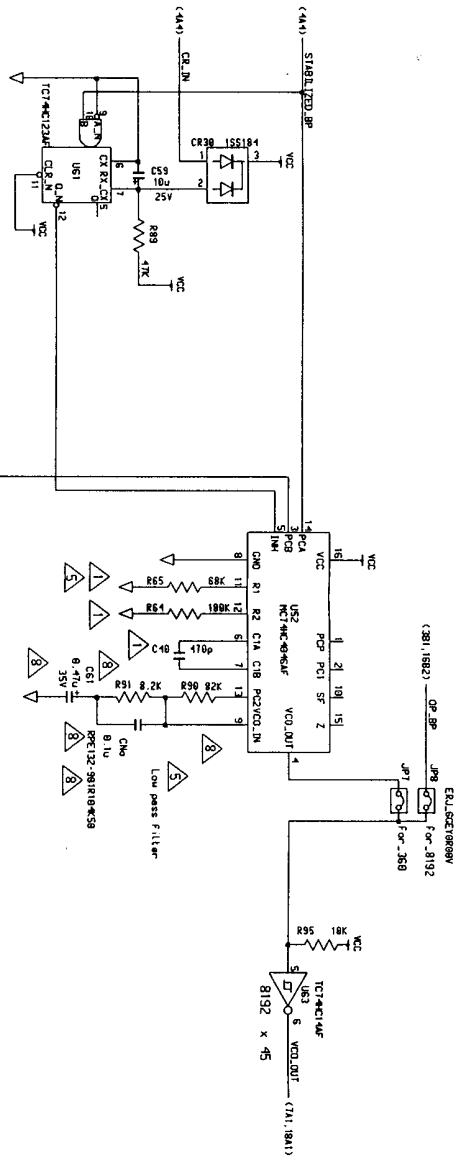
REV No.	DATE	REMARKS	REV-BY
03E2-4169	1993.09.20	delete 016	11ou.v
Δ x 1			
Δ x 1			
Δ x 1			
Δ x 1			

1 2 3

FURUNO ELECTRIC CO., LTD.

FR-2180	FR-2805	CODE No.	ITEM No.	SHEET No.
APPRV	CHECKD	DSIGND	DRAWN	4/19
H5-6-10	AND 2 RADAR	Suzuki	K. Harada	
1993.05.12	1996.06.06			
TIT	18P9002	ARP-23,	ARP-25,	
-LE	PLL2		26	
DWG No.	18-124-6002-9			

FR-2115/2/25



(71A) VCO DEF  
BEAR\_IN / 1924

REV NO.	MARK	DATE	REMARKS	REV-BY
03E2-4621	△ x 5	1996.05.09	change values around PLL	harada
03E2-4202	△ x 2	1994.02.04	Improve PLL Design	itou u
03E2-4160	△ x 3	1993.09.20		itou u

△ x				
△ x				

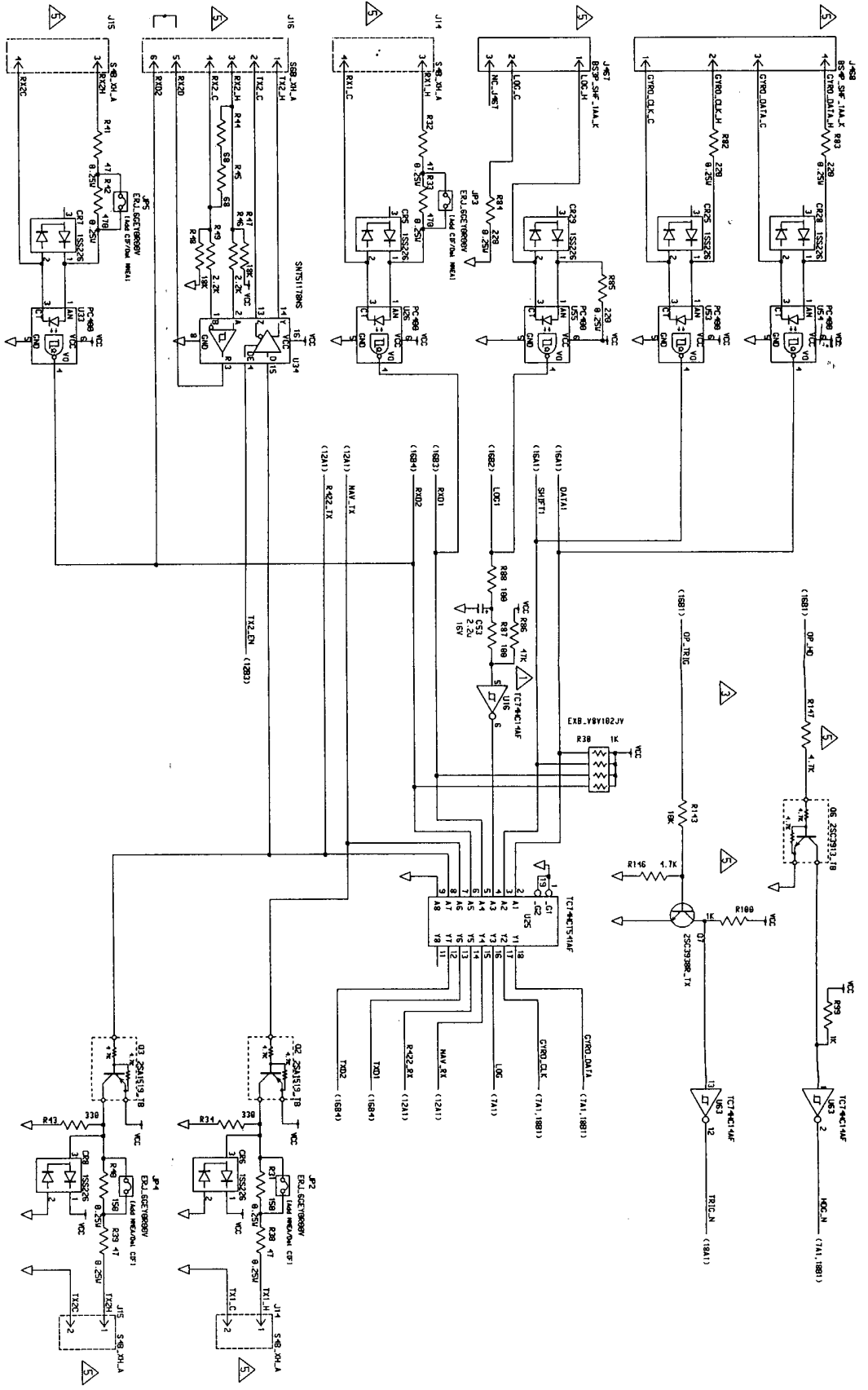
FR-2108	FR-2895	CODE No.	ITEM No.	SHEET No.
CHKD	DSICND	DRAIN	TIT	18P9002 ARP-23, ARP-25, 26
18 6 10	1993.05.12	1996.06.06	-LE	PLL3
Suzuki	K. Harada	DWG No.	18-124-6002-9	

FURUNO ELECTRIC CO., LTD.

1

2

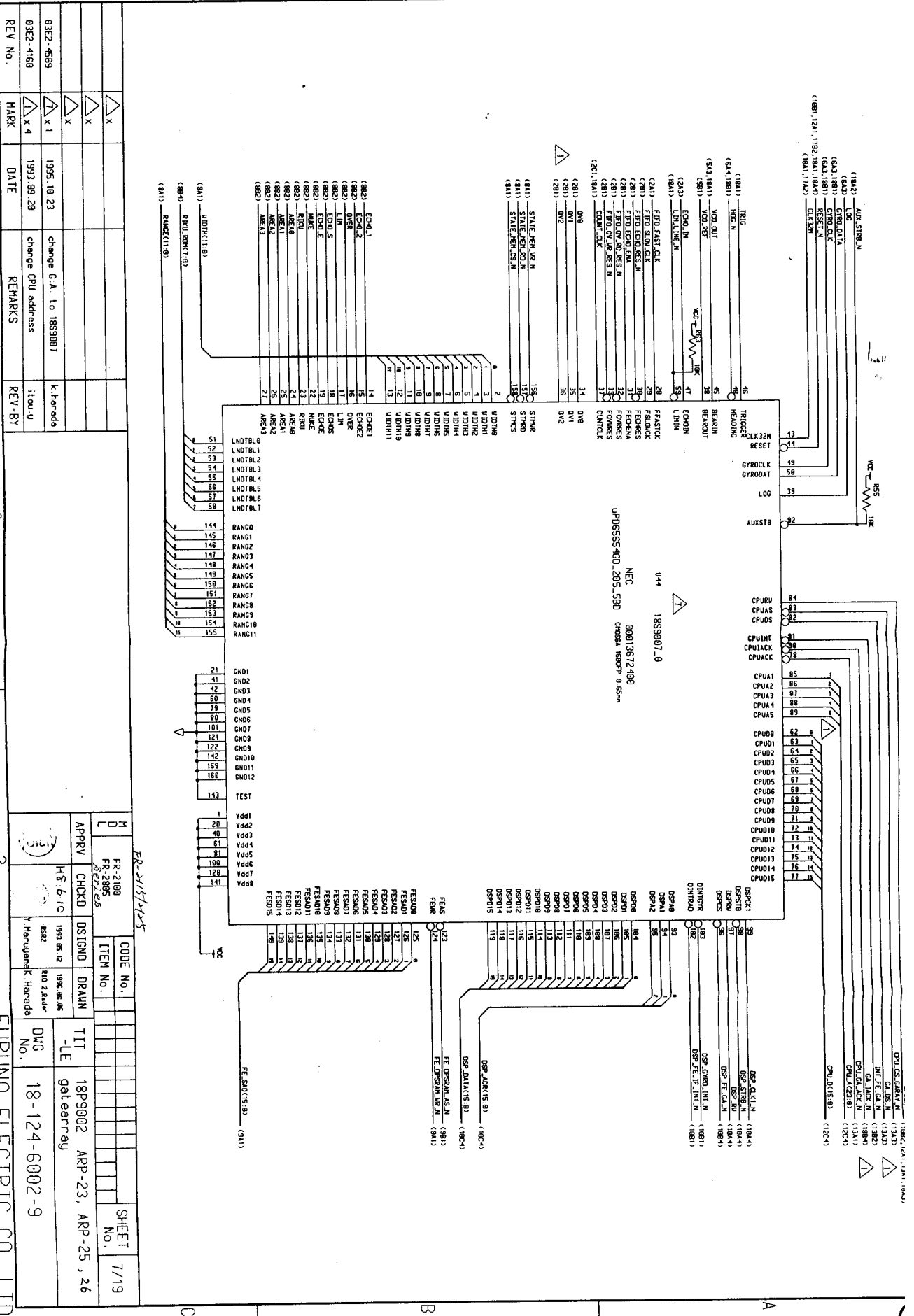
3



REV NO.	MARK	DATE	REMARKS	REV-BY
03E2-4202	△ X	1994.02.04	03R2-2442	Itou Y
03E2-4176	△ X	1993.10.26	Speed up	Y. Haruyama
03E2-4160	△ X	1993.09.20		Itou Y
FURUNO ELECTRIC CO., LTD.				

FR-2108	CODE NO.		SHEET	6/19
FR-2095	ITEM NO.		No.	
CHKD H&G	DESIGN	DRAIN	TTT	18P9002 ARP-23, ARP-25, 26
1993.05.12	1996.06.06	2002.04.06	-LE	RADAR signals I/F
DRG No.			DWG No.	18-124-6002-9



REV No.	HARK	DATE	REMARKS	REV BY
0382-4689	△ x 1	1995.10.23	change C.A. to 1899002	K.Harada
0382-4168	△ x 4	1993.09.28	change CPU address to ou u	

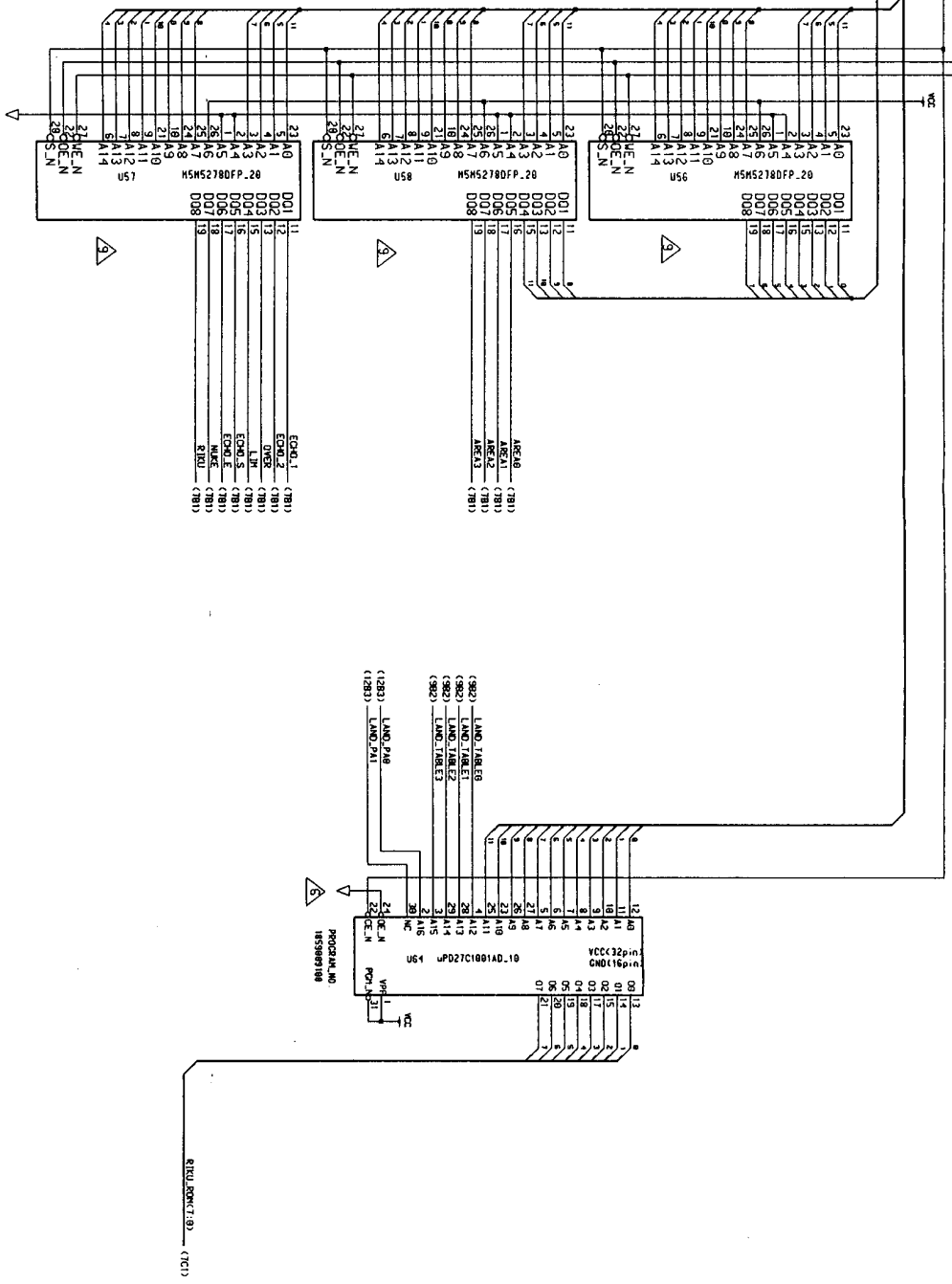
FR-2106	FR-2085	FR-2106	FR-2085	FR-2106	FR-2085
ITEM No.	ITEM No.	ITEM No.	ITEM No.	ITEM No.	ITEM No.
1899002	1899002	1899002	1899002	1899002	1899002
ARP-23	ARP-23	ARP-23	ARP-23	ARP-23	ARP-23
ARP-25	ARP-25	ARP-25	ARP-25	ARP-25	ARP-25
26	26	26	26	26	26

FURUNO ELECTRIC CO., LTD.

SHEET 7/19

(7B1) STATE MEM.U.M  
 (7B1) STATE MEM.U.M  
 (7B1) STATE MEM.U.M

(7C1) RANGE(11:8)  
 (7C1) JUDH(11:8)



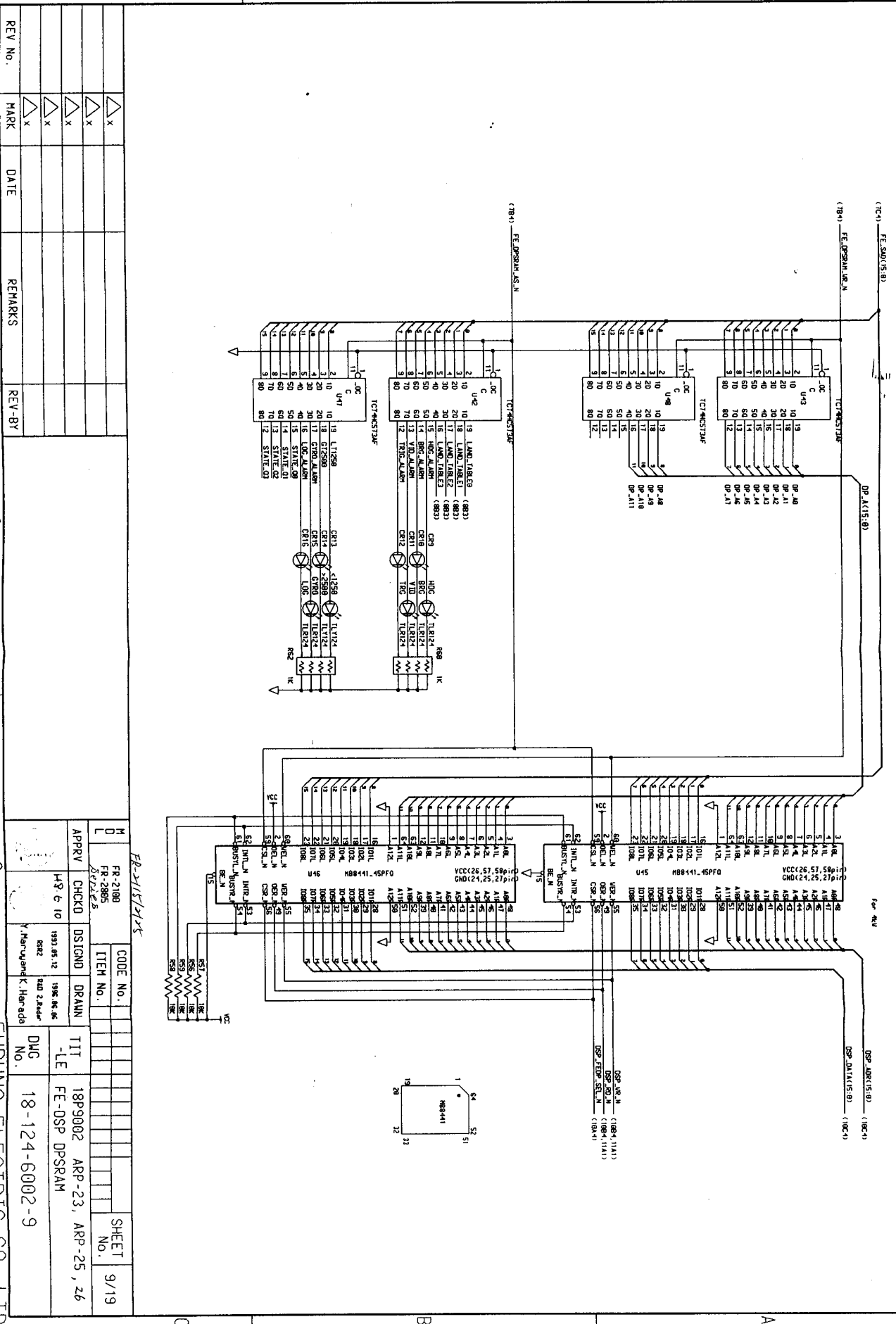
REV. NO.	DATE	REMARKS	REV. BY
03E2-4E45	96.06.06	SRAM change	Harada
03E2-4E44	1994.11.18	Land RDM DE.N Connect CND	Ito.y

1 2 3

*FR-2108*

APPRV	CHKD	DSIGND	DRAIN	TIT	SHEET NO.
FR-2108	H S 6 10	1993.05.12	1996.06.06	18P9002 ARP-23, ARP-25, 26	8/19
FR-2905	2002	2002	2002	-LE STATE MEMORY	
				DWG No. 18-124-6002-9	

FURUNO ELECTRIC CO., LTD.



REV. NO.	MARK	DATE	REMARKS	REV-BY
1	X			
2	X			
3	X			

FR-2115/12

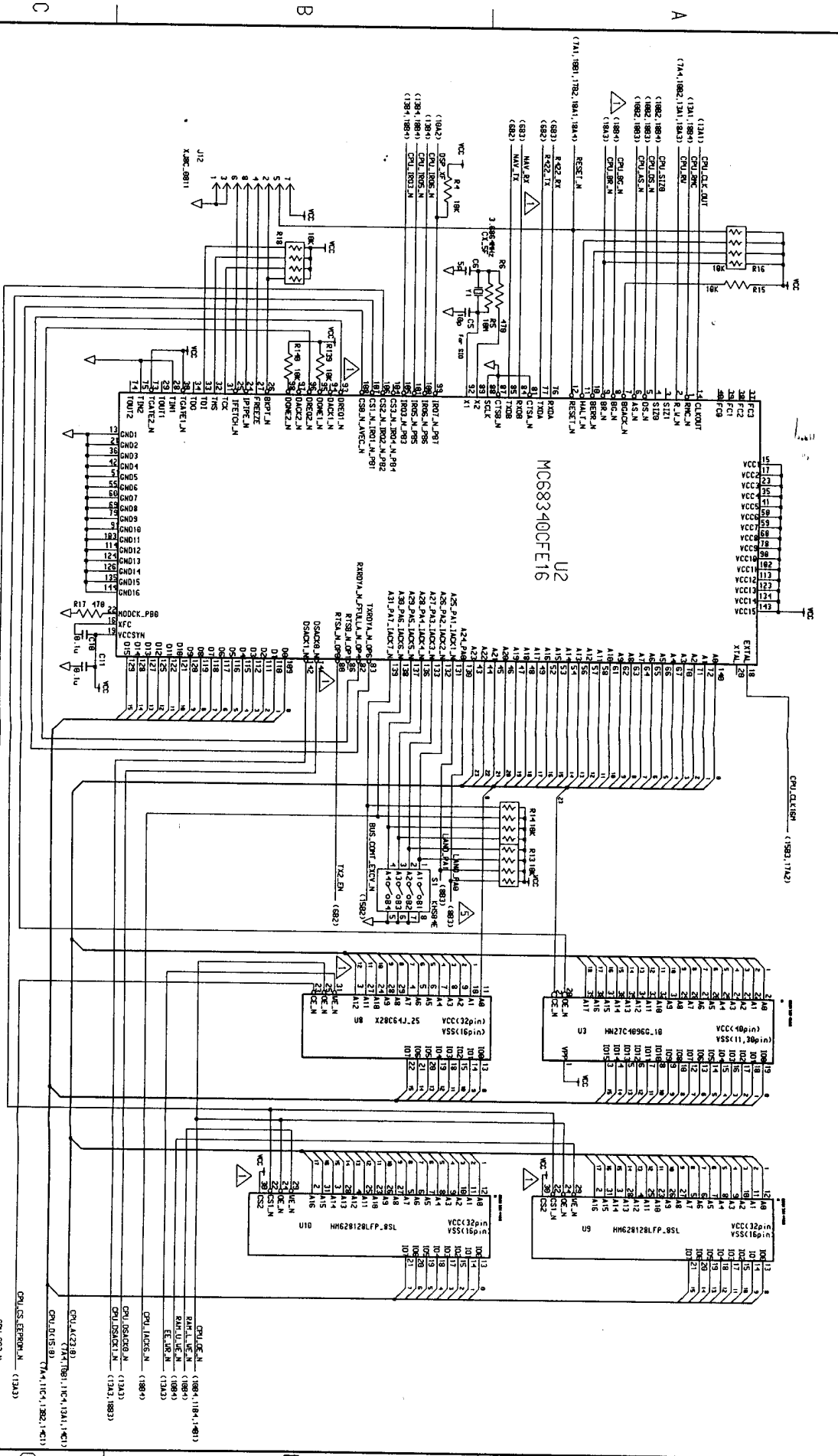
M	FR-2109	CODE NO.		SHEET	9/19
L	FR-2895	TECH NO.			
APPRV	CHKCD	DSIGND	DRAIN	TIT	18P9002 ARP-23, ARP-25, 26
H3 6 10	1993.05.12	1996.06.06		-LE	FE-DSP DPSCRAM
	0582	540 2844		DWG	18-124-6002-9
				No.	

FURUNO ELECTRIC CO., LTD.









REV No.	MARK	DATE	REMARKS	REV-8Y
03E2-42B2	△ x 1	1994.02.04	Replace DIP SW with KHS8-E	Itou, U
03E2-4169	△ x 7	1993.09.28		Itou, U

CODE No.	ITEM No.	DRAM	TIT	DWG No.
FR-2100	FR-2805	18P9002	ARP-23, ARP-25, 26	18-124-6002-9
CHKD	DSIGND	DRAM	TIT	DWG
H&I & IC	1993.05.12	1996.06.06	-LE	18-124-6002-9
Y. ITOU	K. Harada			

FR-2100/275

APPRV

CHKD

DSIGND

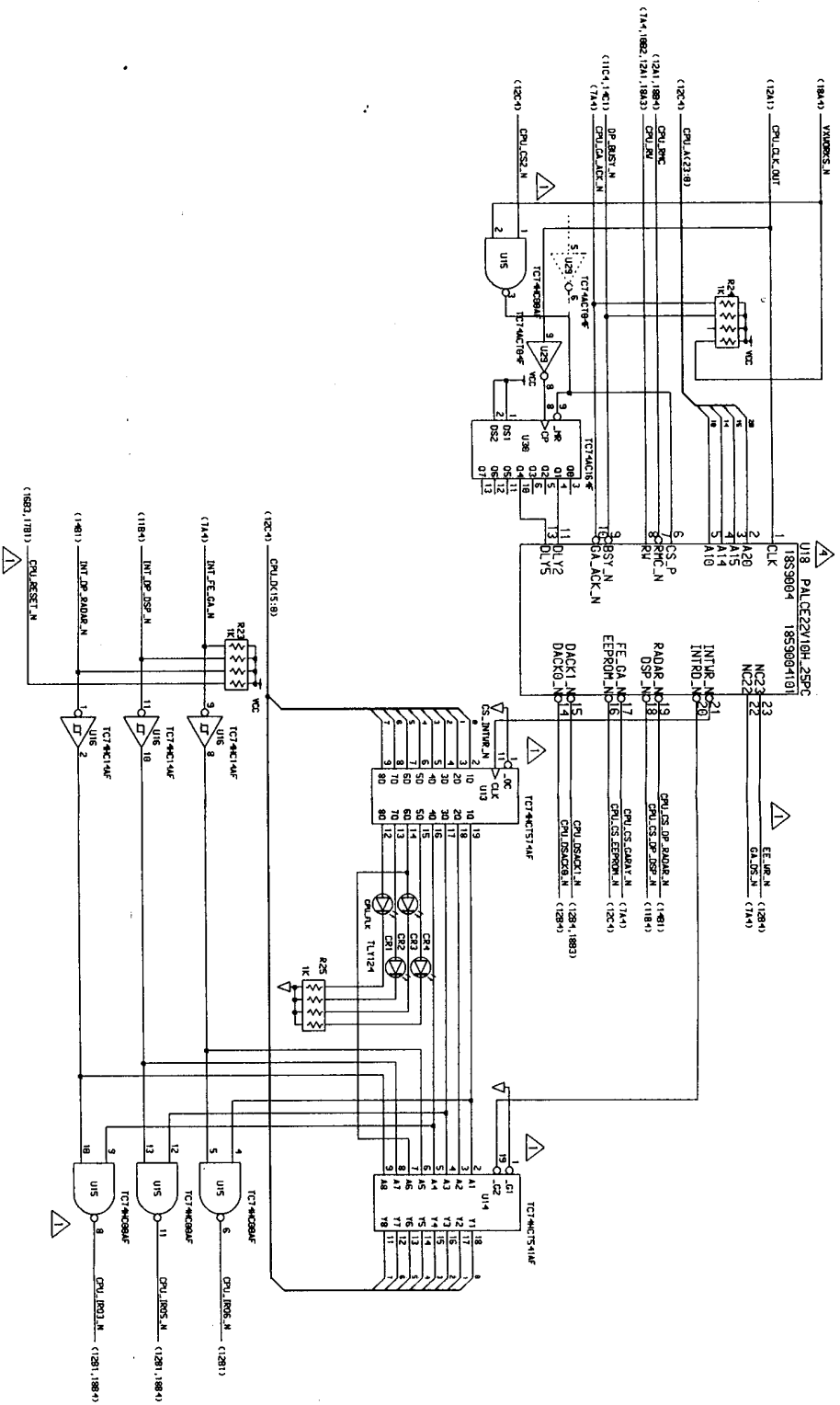
DRAM

TIT

DWG

FURUNO ELECTRIC CO., LTD.

SHEET 12/19



REV No.	MARK	DATE	REMARKS	REV-BY
03E2-4192	△ x 1	1993.12.03	PAL 1959004 ver. up	litou.y
03E2-4198	△ x 6	1993.09.28		litou.y
	△ x			
	△ x			
	△ x			

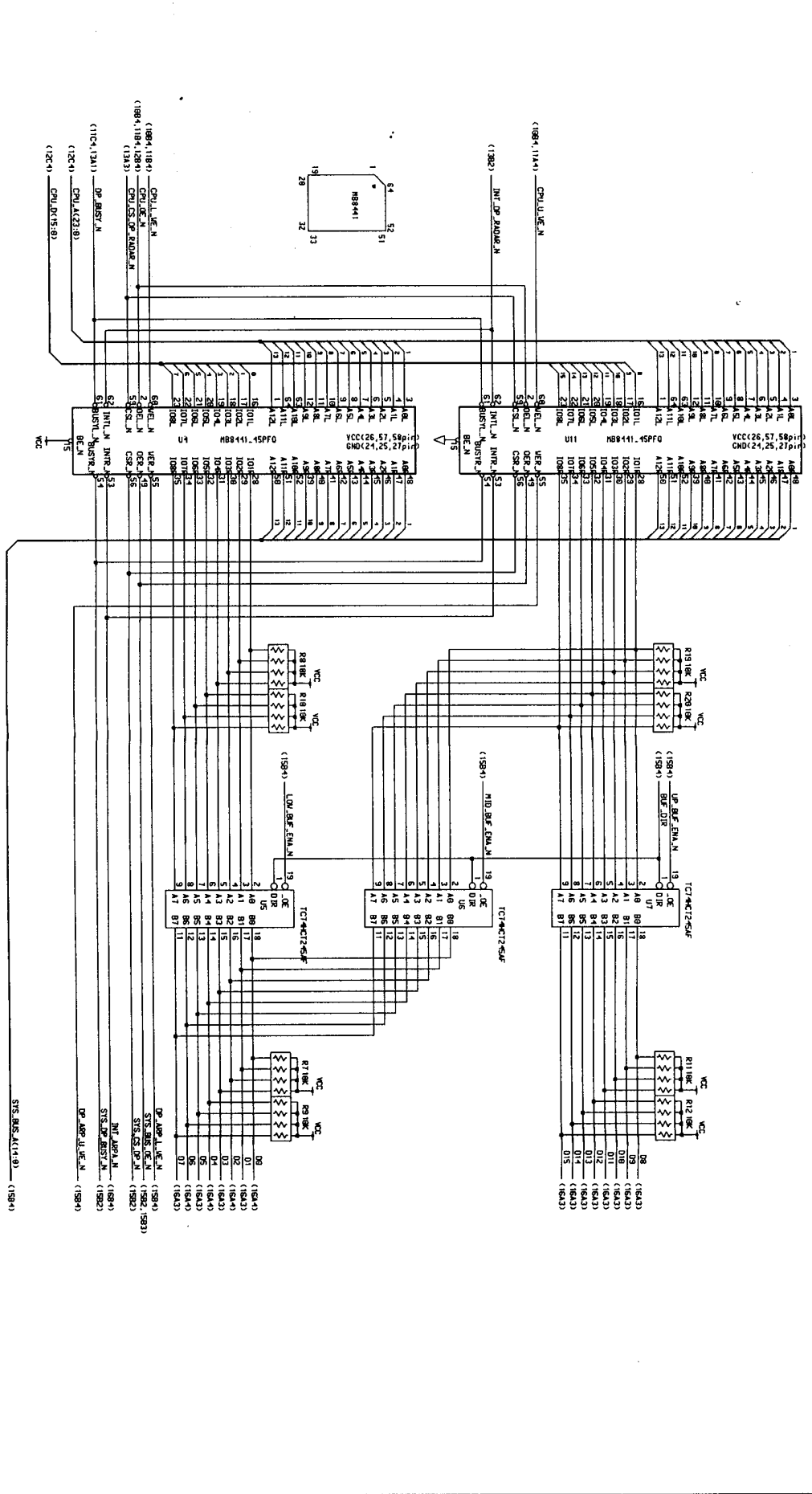
  

FR-2108	FR-2895	FR-2108	FR-2895
CHKD	CHKD	DSIGND	DRAIN
Y. ITOU	Y. ITOU	Y. ITOU	K. Harada
18-124-6002-9	18-124-6002-9	18-124-6002-9	18-124-6002-9

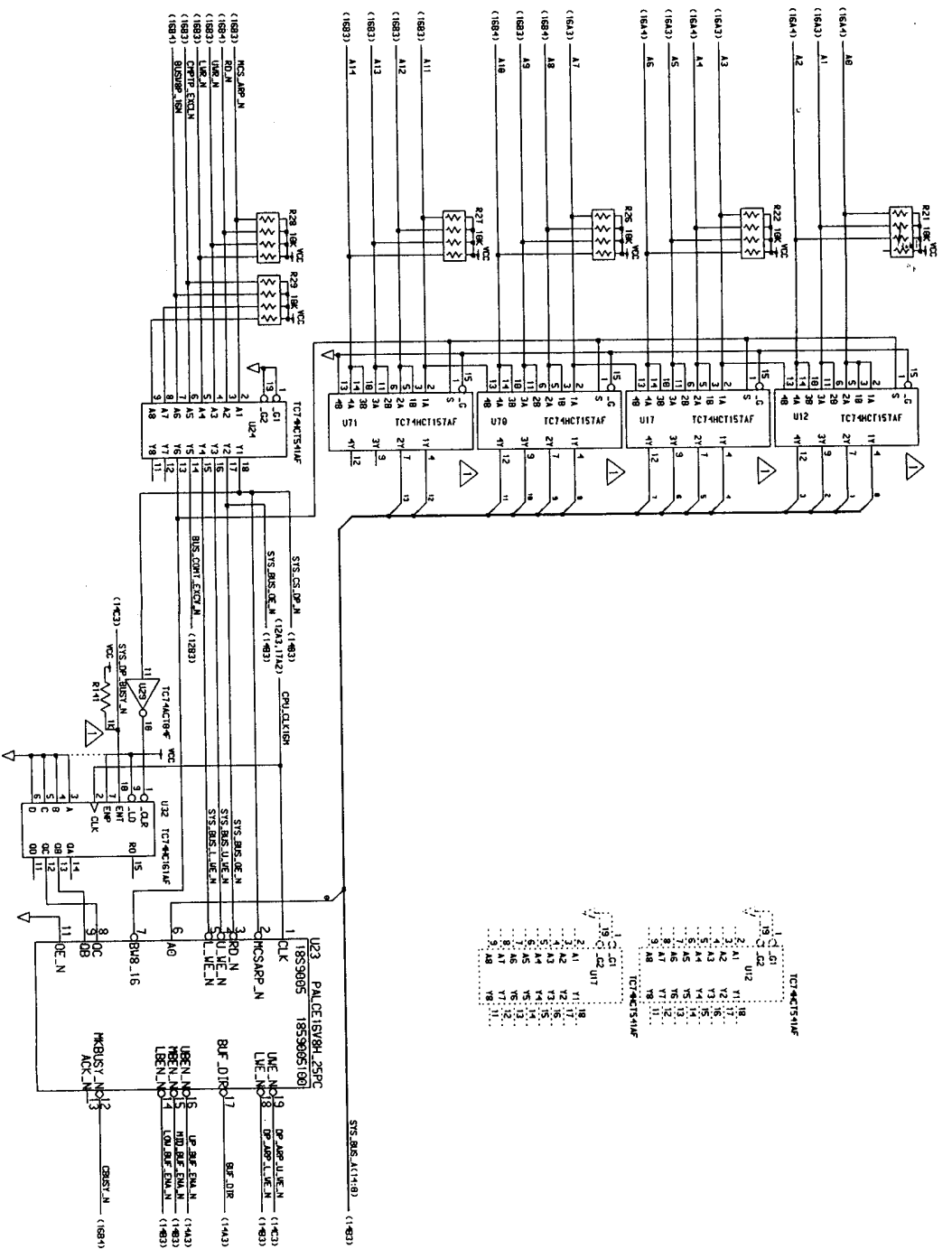
CODE No.	ITEM No.	SHEET No.	13/19
TIT	18P9002 ARP-23, ARP-25, 26		
-LE	CPU Decode		
DWG No.	18-124-6002-9		

FURUND ELECTRIC CO., LTD.



REV. No.	MARK	DATE	REMARKS	REV. BY																					
1																									
2																									
3																									
<table border="1"> <tr> <td>APPV</td> <td>CHKD</td> <td>DSIGND</td> <td>DRAIN</td> <td>TIT</td> <td colspan="2">SHEET No. 14/19</td> </tr> <tr> <td>HS 6</td> <td>1993 05 12</td> <td>1996 06 06</td> <td>820 2344e</td> <td>-LE CPU MEMORY</td> <td>ARP-23, ARP-25, 26</td> <td></td> </tr> <tr> <td>Y.ITOU</td> <td>K.Herrade</td> <td></td> <td></td> <td>DWG No.</td> <td>18-124-6002-9</td> <td></td> </tr> </table>					APPV	CHKD	DSIGND	DRAIN	TIT	SHEET No. 14/19		HS 6	1993 05 12	1996 06 06	820 2344e	-LE CPU MEMORY	ARP-23, ARP-25, 26		Y.ITOU	K.Herrade			DWG No.	18-124-6002-9	
APPV	CHKD	DSIGND	DRAIN	TIT	SHEET No. 14/19																				
HS 6	1993 05 12	1996 06 06	820 2344e	-LE CPU MEMORY	ARP-23, ARP-25, 26																				
Y.ITOU	K.Herrade			DWG No.	18-124-6002-9																				

FURUNO ELECTRIC CO., LTD.



REV No.	MARK	DATE	REMARKS	REV-By
03E2-4150	△ X 5	1993.09.28	change address buffer	1lou-u
	△ X			
	△ X			
	△ X			

1 2

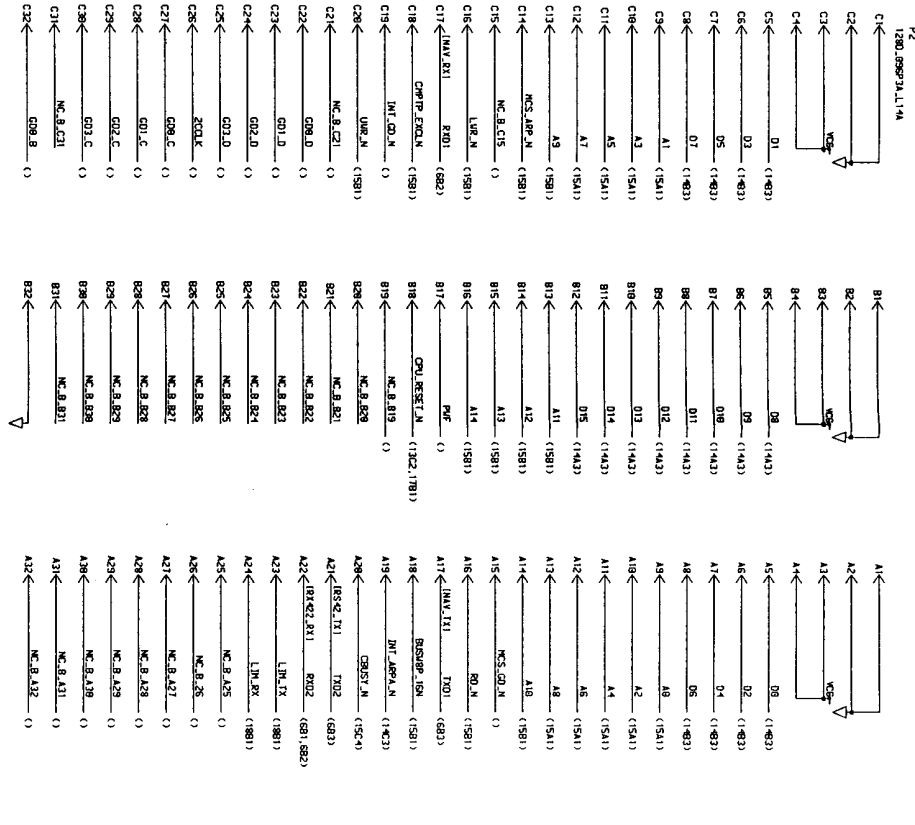
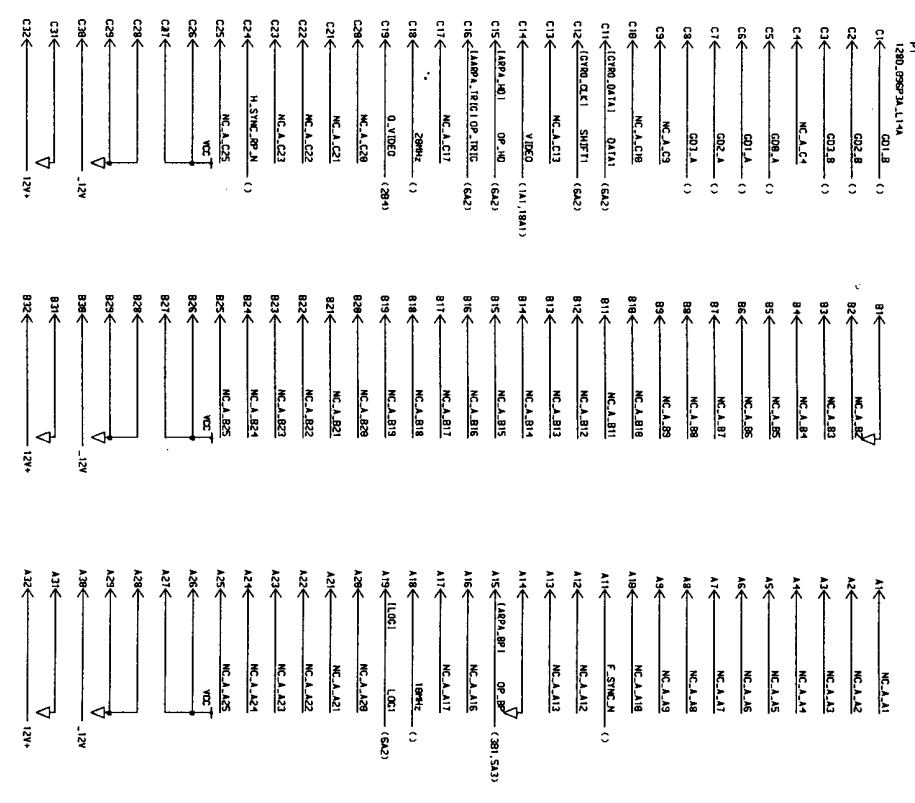
3

FR-2108 FR-2085 R2.2.8	CODE No.	SHEET No.	15/19
APPRV M-6-1C	ITEM No.	TIT -LE	18P9002 ARP-23, ARP-25, 26
CHKD M-6-1C	OSIGND	DRAIN	CLOCK & RESET
Y. ITOU 1993.09.12	DWG No.	18-124-6002-9	
K. Harada			

FURUNO ELECTRIC CO., LTD.

A (P1)

B (P2)



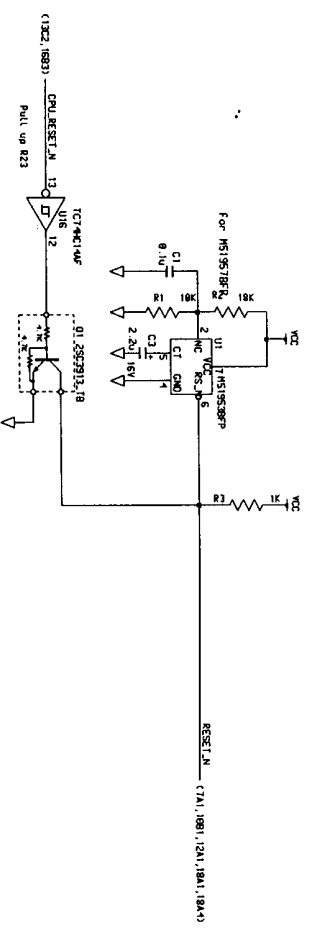
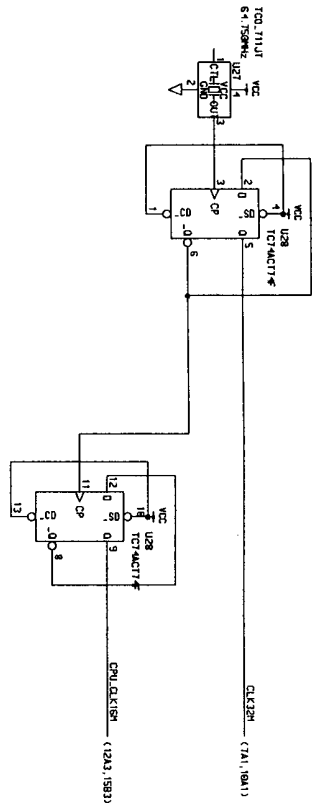
REV No.	MARK	DATE	REMARKS	REV-BY
1				
2				
3				

FR-2108	FR-2885	FR-2115/2125
APPRV	CHECKD	DATE
1993.04.16	1993.04.06	
DESIGND	DRAIN	
Y.Haruyama	K.Harada	
TIT	DWG	
18P9002 ARP-23, ARP-25, 26	18-124-6002-9	
SHEET	No.	
16/19		

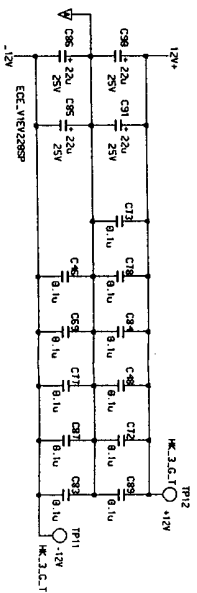
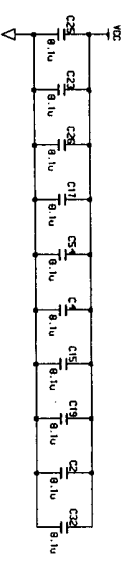
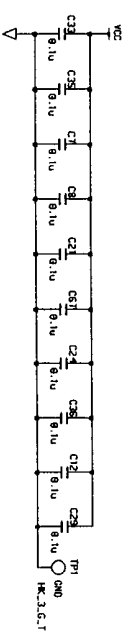
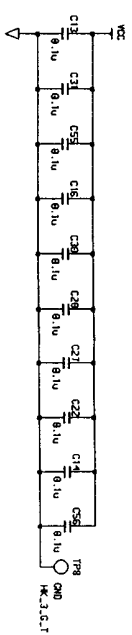
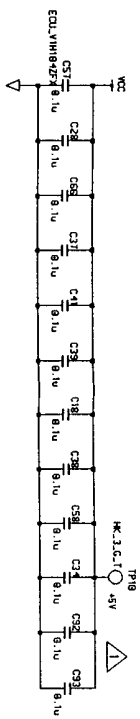
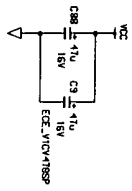
FURUNO ELECTRIC CO., LTD.

A



C

A



B

B

REV NO.	MARK	DATE	REMARKS	REV-8Y
03E2-4168	X1	1993.09.20	add bypass capacitor	1. ou u
	X			
	X			
	X			

2

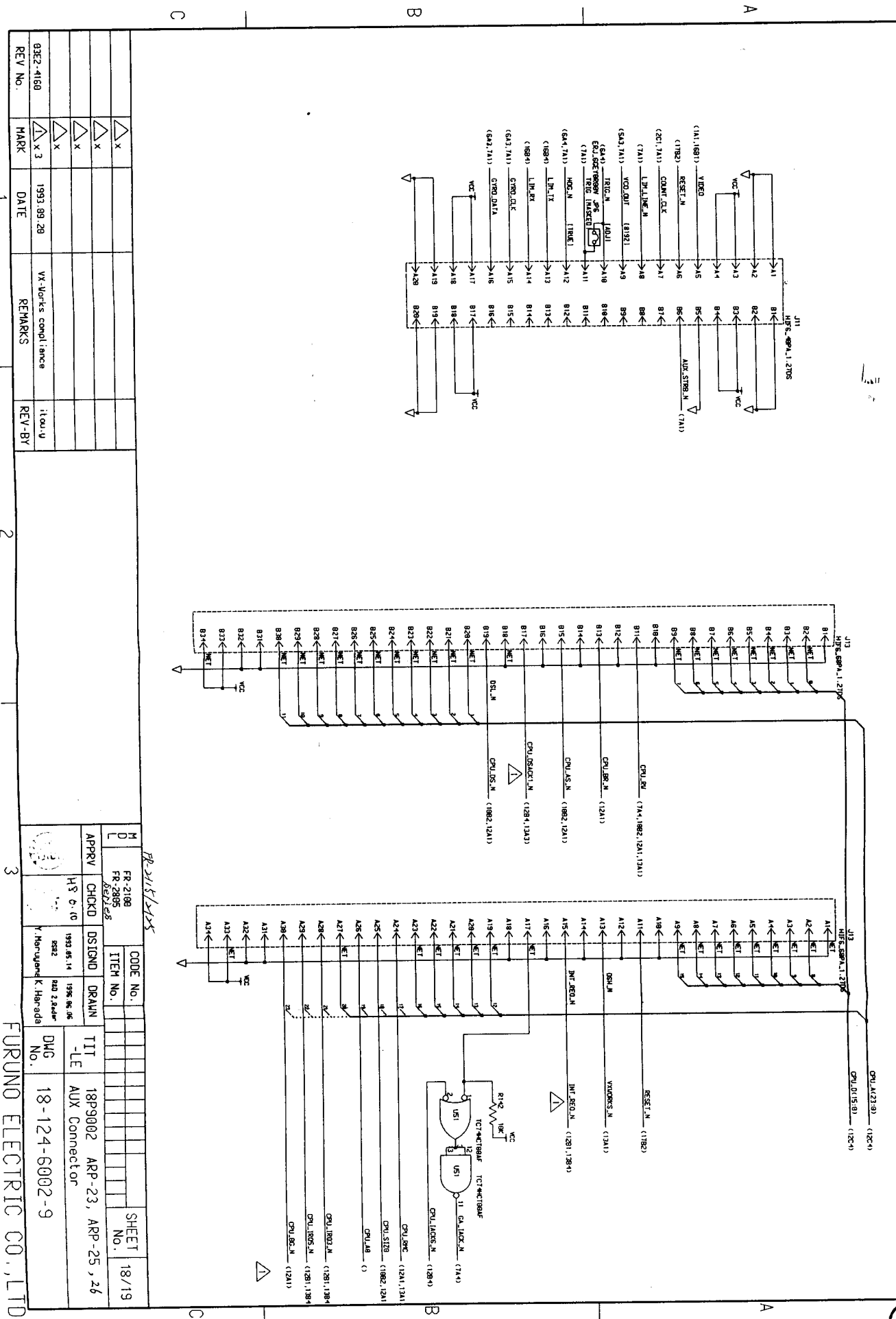
3

FURUND ELECTRIC CO., LTD.

FR-2108	CODE NO.		SHEET	17/19
FR-2895	ITEM NO.		No.	
CHKD	DSIGND	DRAIN	TIT	18P9002 ARP-23, ARP-25, 26
H&S-IC	1993.05.14	1996.06.06	-LE	Power line
8932	SUD 2.8kda		DWG	18-124-6002-9
	y. Haruquand K. Harada		No.	

C



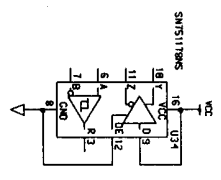
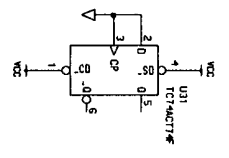
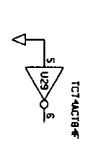
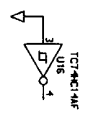


REV No.	MARK	DATE	REMARKS	REV-BY
03E2-4160	△ X 3	1993.09.28	VX-Works compliance	Itou, Y
	△ X			
	△ X			
	△ X			

2

APPRV	CHKD	DSIGN	DRAIN	TIT	DWG No.	SHEET No.
H3 6-10	1993.05.14	1996.06.06	820 2radar	-LE	18-124-6002-9	18/19
			K. Haruquani K. Harada	AUX Connector		

FURUNO ELECTRIC CO., LTD.



REV No.	MARK	DATE	REMARKS	REV-BY
03E2-4160	△ x 3	1993.09.28	reduce spare parts	!lou y
	△ x			
	△ x			
	△ x			

1

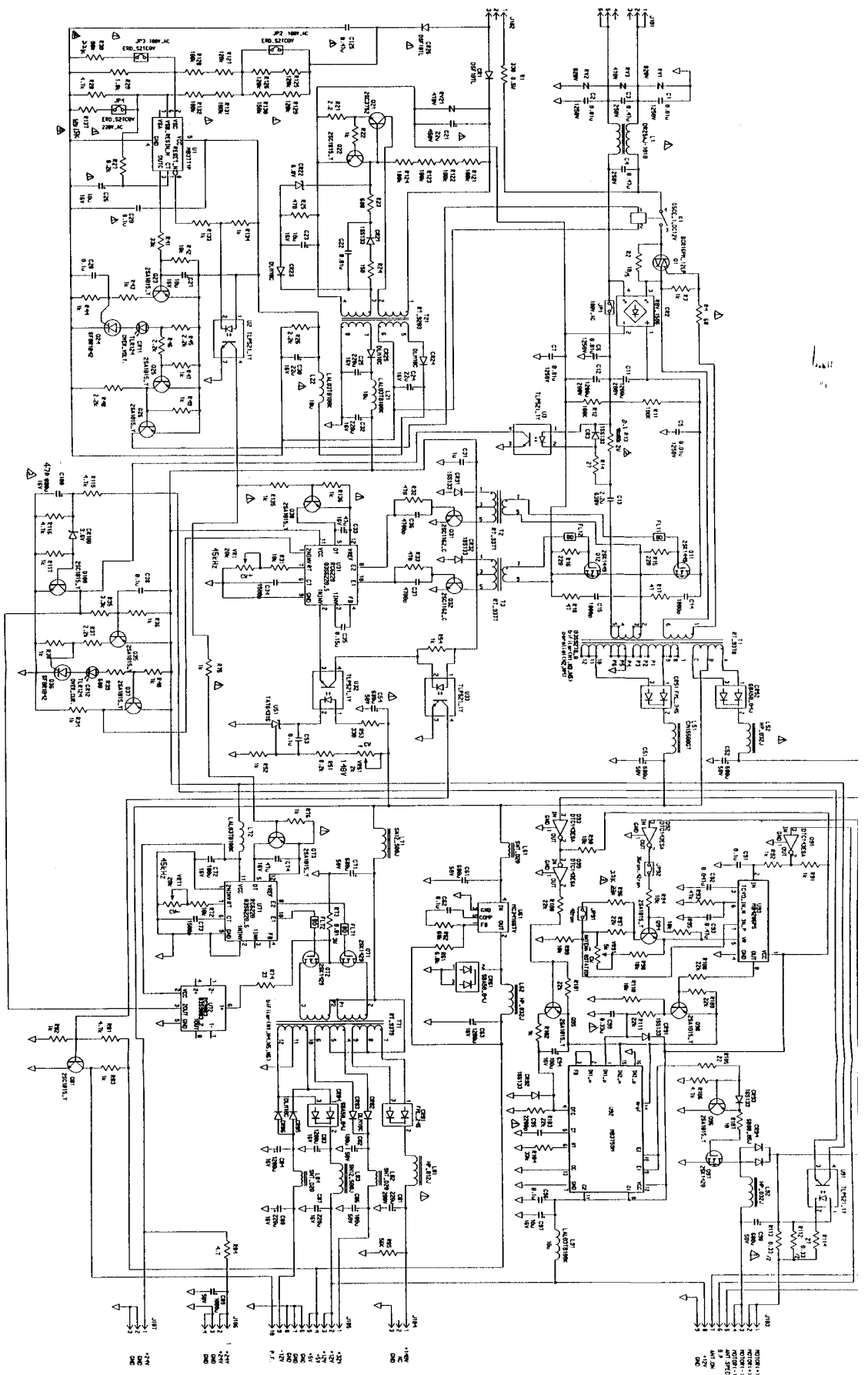
2

3

APPROV	CHKD	DSGND	DRAWN	TIT	DWG No.	SHEET No.
FR-2100 FR-2895 <i>Reddies</i>	H.P. G. PD	1993.05.12	1996.06.06	18P9002 ARP-23, ARP-25, 26 -LE SPARE PARTS	18-124-6002-9	19/19
CODE No.	ITEM No.					

FURUNO ELECTRIC CO., LTD.

FR-2100/2105



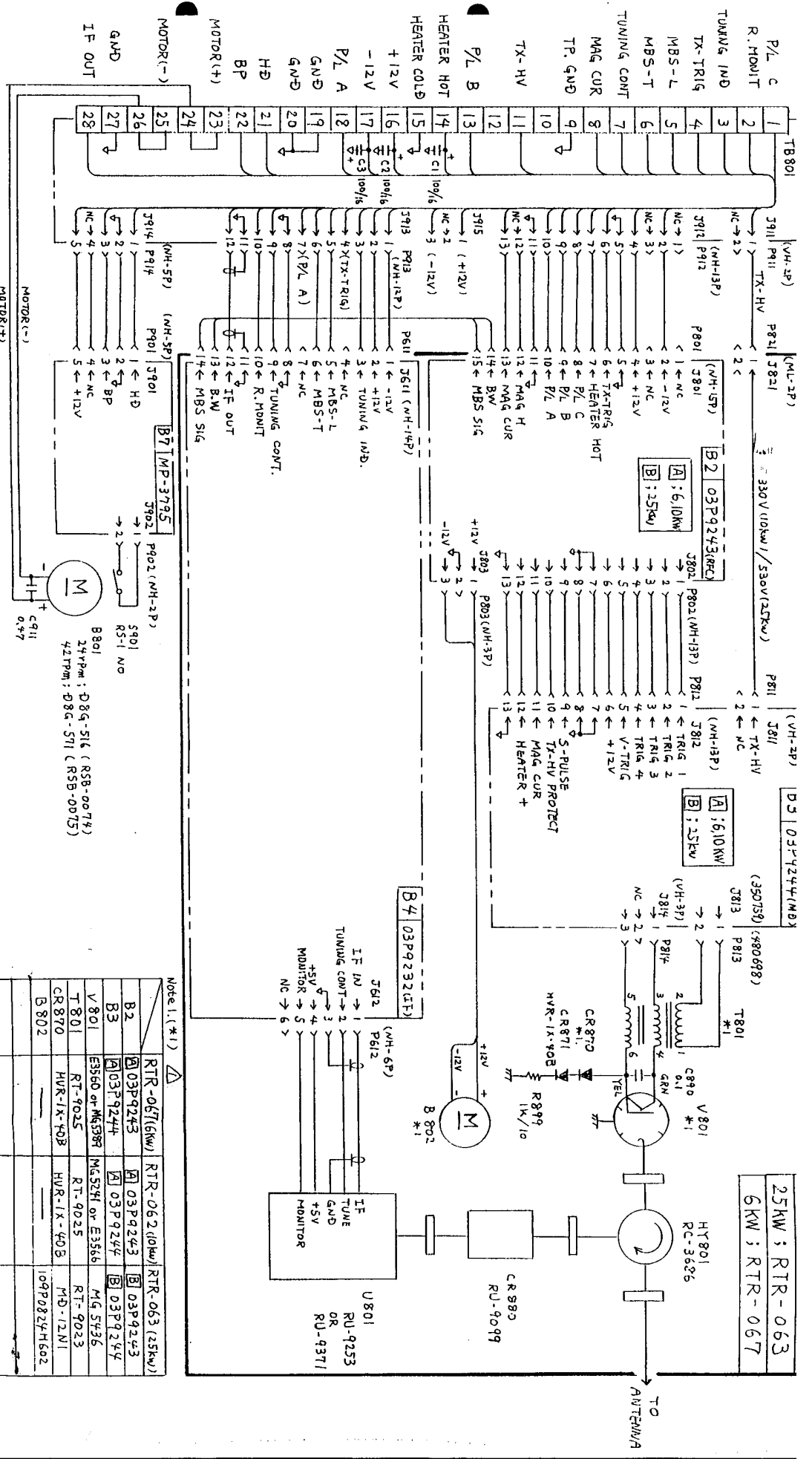
REV No.	DATE	REMARKS	REV BY	APPRV
03P2-4910	1942.08	R30 R177 変更		
03P2-4914	1942.23	R86 変更		
03P2-4918	1942.15	R3, C100 変更		
03P2-4913	1942.27	予備機用分岐		

△x	△x2	△x1	△x2	△x1	△x2	△x1	△x2	△x1	△x2
田中	田中	田中	田中	田中	田中	田中	田中	田中	田中

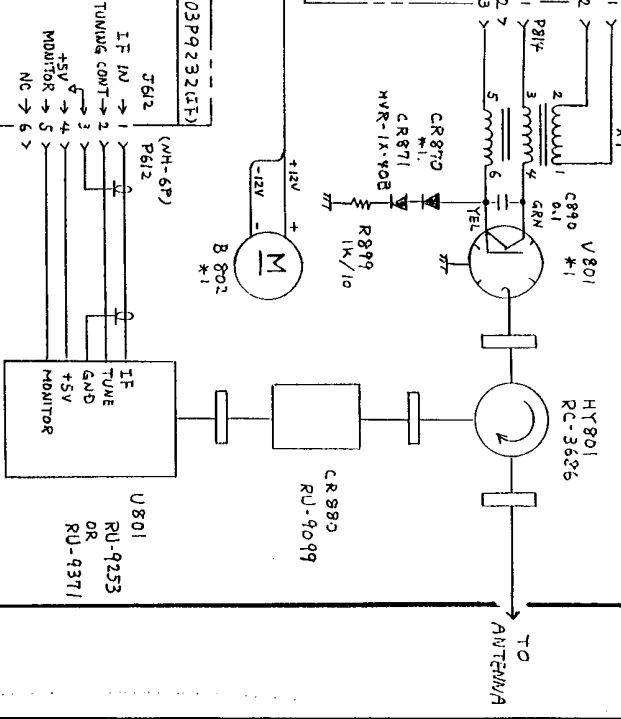
PWB	POWER ANTENNA	JP1	JP2	JP3	JP4	JP51	JP92
03P2-45A	180VAC 2-wpn	○	○	○	○	○	○
03P2-45B	180VAC 3-wpn	○	○	○	○	○	○
03P2-45C	180VAC 4-wpn	○	○	○	○	○	○
03P2-45D	220VAC 2-wpn	○	○	○	○	○	○
03P2-45E	220VAC 3-wpn	○	○	○	○	○	○
03P2-45F	220VAC 4-wpn	○	○	○	○	○	○

FR-115	FR2105	FR2105	FR2105	FR2105	FR2105	FR2105	FR2105	FR2105	FR2105
田中	田中	田中	田中	田中	田中	田中	田中	田中	田中
03P2245 (PTU)	03-144-6019-13								

5 FURUNO ELECTRIC CO., LTD.



25kW ; RTR-063  
6kW ; RTR-067



Note 1. (\*)

B2	RTR-067(6kW)	RTR-062(10kW)	RTR-063(25kW)
B3	A 03P9243	A 03P9243	B 03P9243
V 801	E3560 or M65387	M65241 or E3566	M65336
T 801	RT-9025	RT-9025	RT-9023
CR 870	HVR-1X-90B	HVR-1X-90B	MD-12N1
B 802			109P0824H502

変更通知番号 符号 訂正年月日 訂正記事 担当

98. 4. 14 FR-1500M3 多管心式 3/16

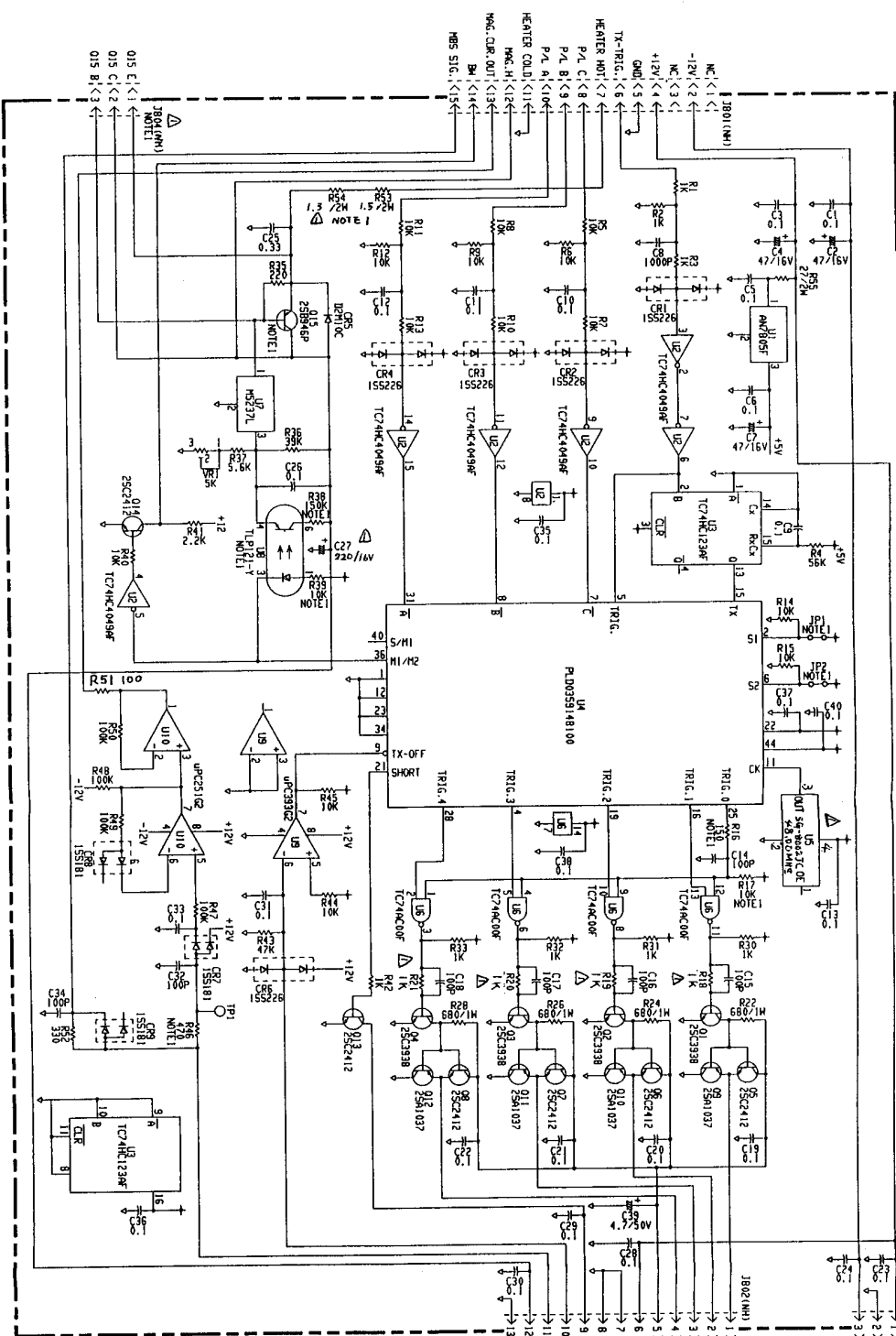
2

3

主機種	FR-2115/2125	コード		SHEET	1/1
機種	FR-1710/1725	型名		NO.	
課長	FR-1505/1510/1525M3				
検図設計製図	198.1.26/98.1.24/98.1.24	分類			
検図	198.1.26/98.1.24/98.1.24	名称	SCANNER UNIT BLACK DIAGRAM		
検図	198.1.26/98.1.24/98.1.24	番	03144-6021-1		

古野電気株式会社

B2 03P9243 (RfC)



※ ケーブル長が150mを越える時はR54を230V帯(X-Band時)

FR-5250	FR-5250	FR-21355
JPI	○	○
JT2	○	○
J04	○	○
O15	○	○
R15	○	○
R17	○	○
R38	○	○
R39	○	○
R45	○	○
U8	○	○
R53	○	○
R57	○	○

NOTE.1

変更通知書番号	03E2-4903
符号	98.4.13
訂正年月日	15
訂正記事	訂正記事
担当	三木

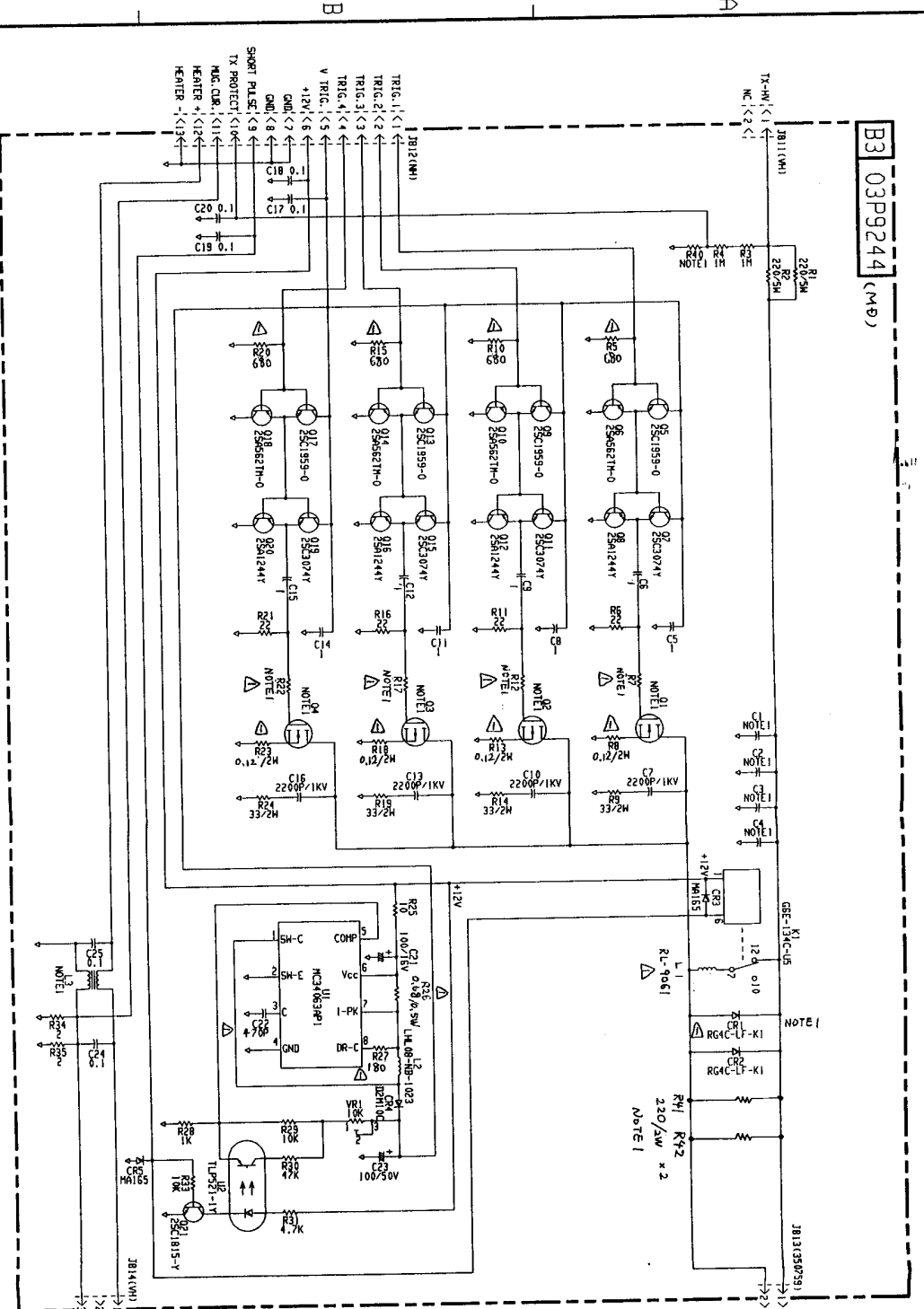
特記なき抵抗は0.1M

主標	FR-2115/2125	コード	
標準	FR-1500/1520	型名	
検出	FR-1500/1520	製造	
設計	井上	図名	
設計	井上	分類	
井上		名称	
井上		図番	

03P9243 (RfC)	SHEET 1
03144-6022-1	NO.

古野電気株式会社

B3 03P9244 (MD)



NOTE

03P9244.A	03P9244.B	03P9244.C
X-RAND	X-RAND	X-RAND
6/100W	6/100W	3/100W
C1-C4	2.2/0.5W	2.2/0.5W
R1	0	0
I3	LJ1001006A	LJ2001006C
01-04	25W/45D	25W/165
R40	3R	1R
R7,12	4.7/0.5W	2.2/0.5W
R12,21	4.7/0.5W	2.2/0.5W
R12,22	4.7/0.5W	2.2/0.5W
R11,22	0	X

訂正年月日: 98.4.13  
訂正記号: 13  
訂正記号: 訂正記号

担当者: 三木

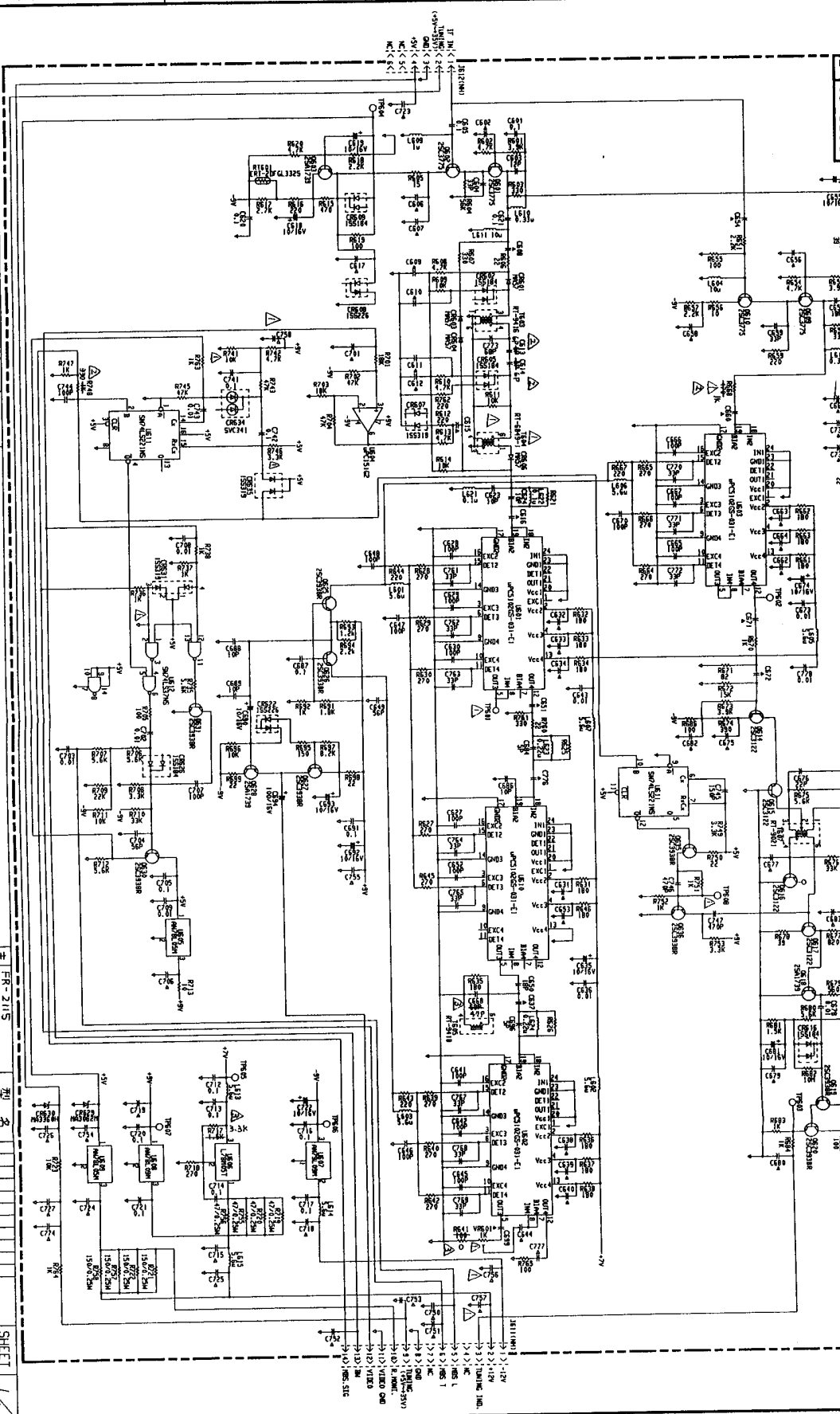
特記なき抵抗は0.25W

主	FR-21S/2.25	コード	
種	FR-17005V-A	型名	
種	FR-15005V-A	型名	
製	設計	製	
図	図	製	
名	03P9244 (MD)	分類	
図	03144-6023-1	名称	
番		番	

SHO 井上

古野電気株式会社

B 03P9232



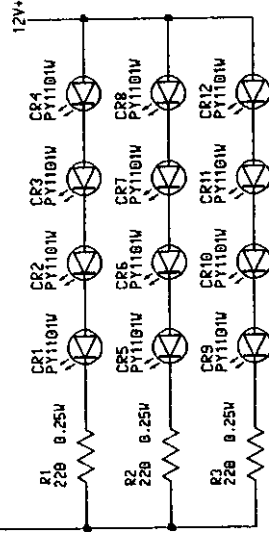
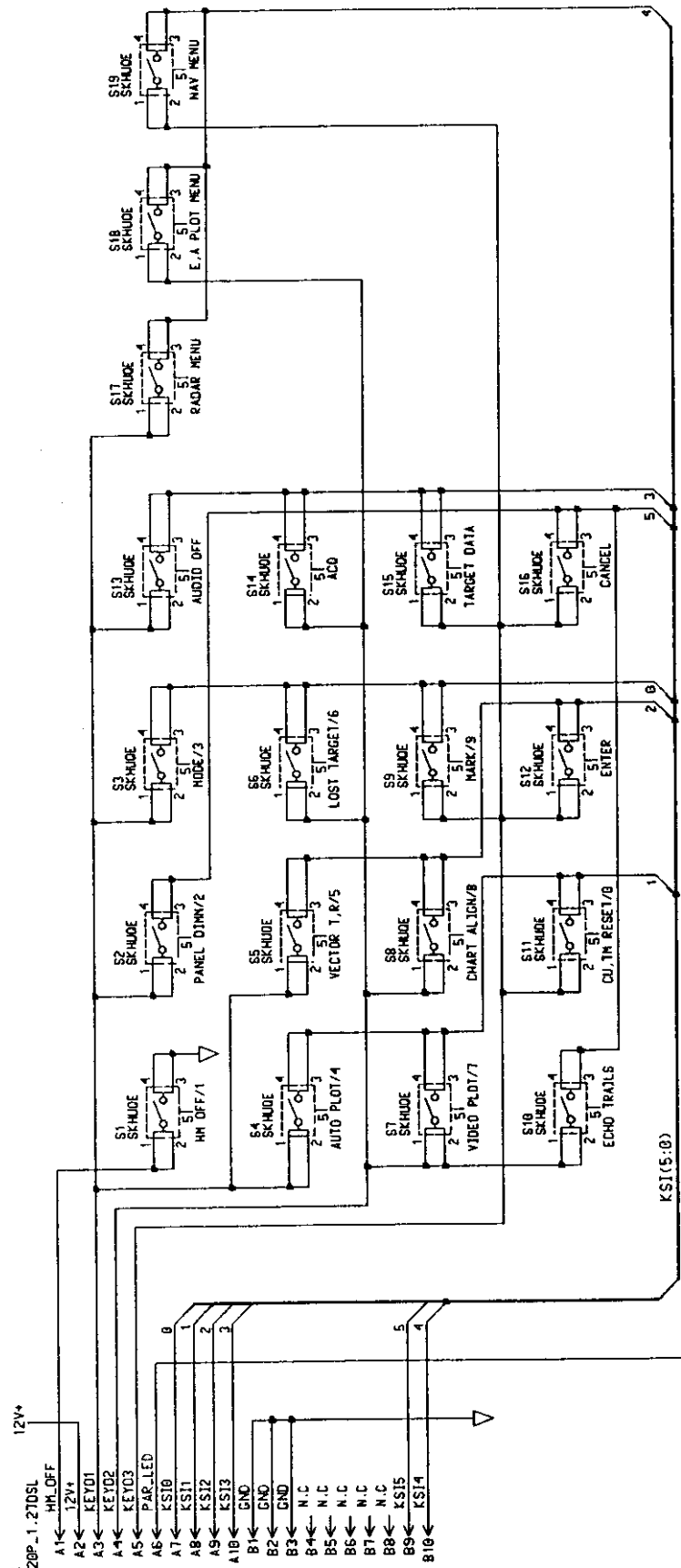
03E2-4432	△	訂正	訂正年月日	訂正記号	担当者
03E2-4413	△	訂正	訂正年月日	訂正記号	担当者
03E2-4495	△	訂正	訂正年月日	訂正記号	担当者

注1) 特記なき抵抗は0.1M  
 注2) △の容量は1000P

主回路	FR-2175	型名		SHEET	1/1
基板	FR-2125	コード			
検査	1998.4.3	設計	井上		
図	1998.4.3	製図	井上		
分類		名称	IFアンプ		
図		番号	03P9232		
		図	03144-6024-3		

古野電気株式会社

F316  
FX2\_2BP\_1.27D5L



△ 63P9256-11  
PCB VERSION 1

△	△	△	△	FR-2105 SERIES		CODE No.			SHEET No. 1/1	
				APPRV [Signature]	CHKCD 98.3.18	DSIGND 97.11.26	DRAWN 98.3.17	RIGHT SIDE PANEL PRINT		03P9256 (PAR)
03E2-4887	REV No.	MARK	DATE	REMARKS	REV-BY	APPRV [Signature]	DWG No. 03-144-6016-1			
△x1							TIT -LE		2	

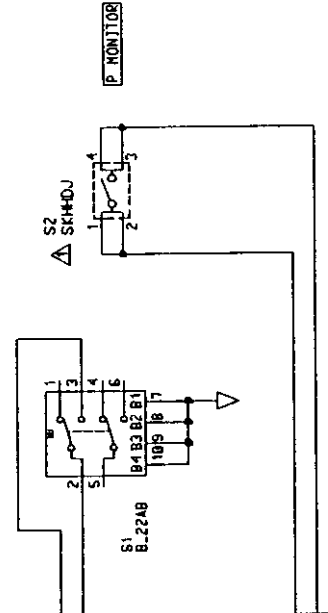
1  
REVISIONS  
98.3.17 外形寸法変更基板更新(回路変換) 富島本 (富)  
REV-BY APPRV [Signature]  
2  
FURUNO ELECTRIC CO., LTD.



**KEY (PNL)**

- P313
- 00.5072.220.101.863
- 1 12V+
- 2 ANT\_ON\_OFF
- 3 ANT\_SU
- 4 SV\_LED
- 5 KEY04
- 6 KEY05
- 7 KEY04
- 8 KEY05
- 9 KS14
- 10 KS14
- 11 GND
- 12 TUNLENC1
- 13 TUNLENC1
- 14 TUNLENC2
- 15 TUNLENC2
- 16 PAL\_LED
- 17 KEYBUZ\_H
- 18 CPU\_LED
- 19 KEYBUZ\_L
- 20

**SCANNER SU**

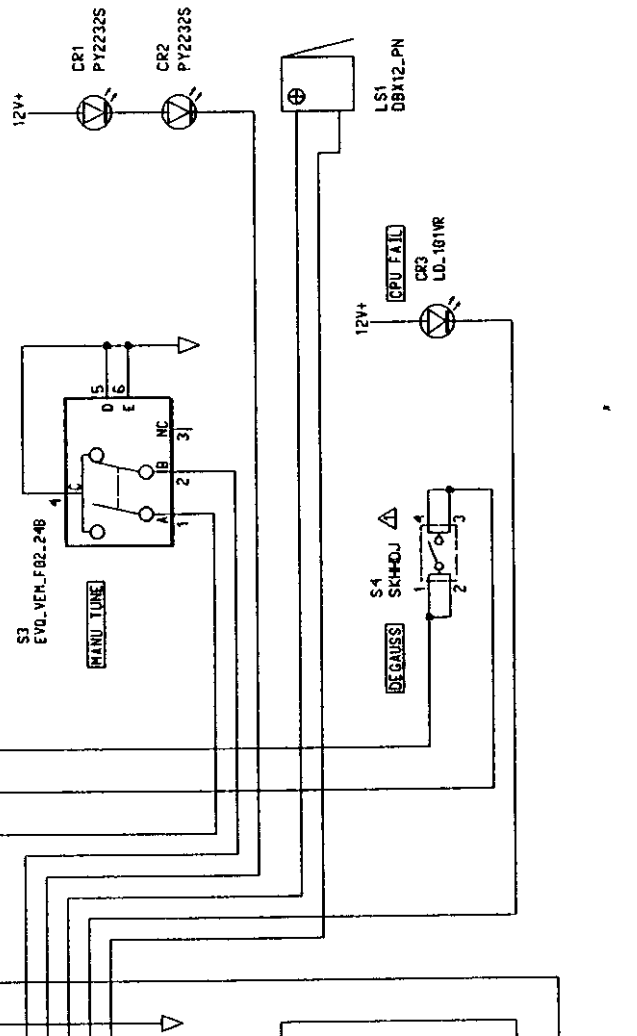


**PTU (SHIPS MAIN)**

- J314
- S38\_XH.A
- 1 SV\_ON
- 2 N.C
- 3 SV\_COMMON

**POWER SU**

- J315
- S68\_XH.A
- 1 SV\_COMMON
- 2 N.C
- 3 SV\_ON
- 4 N.C
- 5 SV\_LED
- 6 GND



PCB VERSION 1		SHEET No. 1/1	
FR-2105 SERIES		CODE No.	
M D L		ITEM No.	
APPRV 98.3.17		DSIGND 97.12.1	
DRAWN 98.3.17		DRAWN 98.3.17	
TIT -LE		SUB PANEL PRINT	
03E2-4886		03P9254 (PAL)	
REV No.	MARK	DATE	REMARKS
03E2-4886	△x2	98.3.17	SZ/S4毛 軸長 吸 物 に 変 更 .
REV BY	APPRV	DATE	REMARKS
鶴本 (源)	鶴本 (源)		
98.3.17	98.3.17		
DWG No. 03-144-6014-1		TIT -LE	
SUB PANEL PRINT		CODE No.	
03P9254 (PAL)		ITEM No.	

2 FURUNO ELECTRIC CO., LTD.