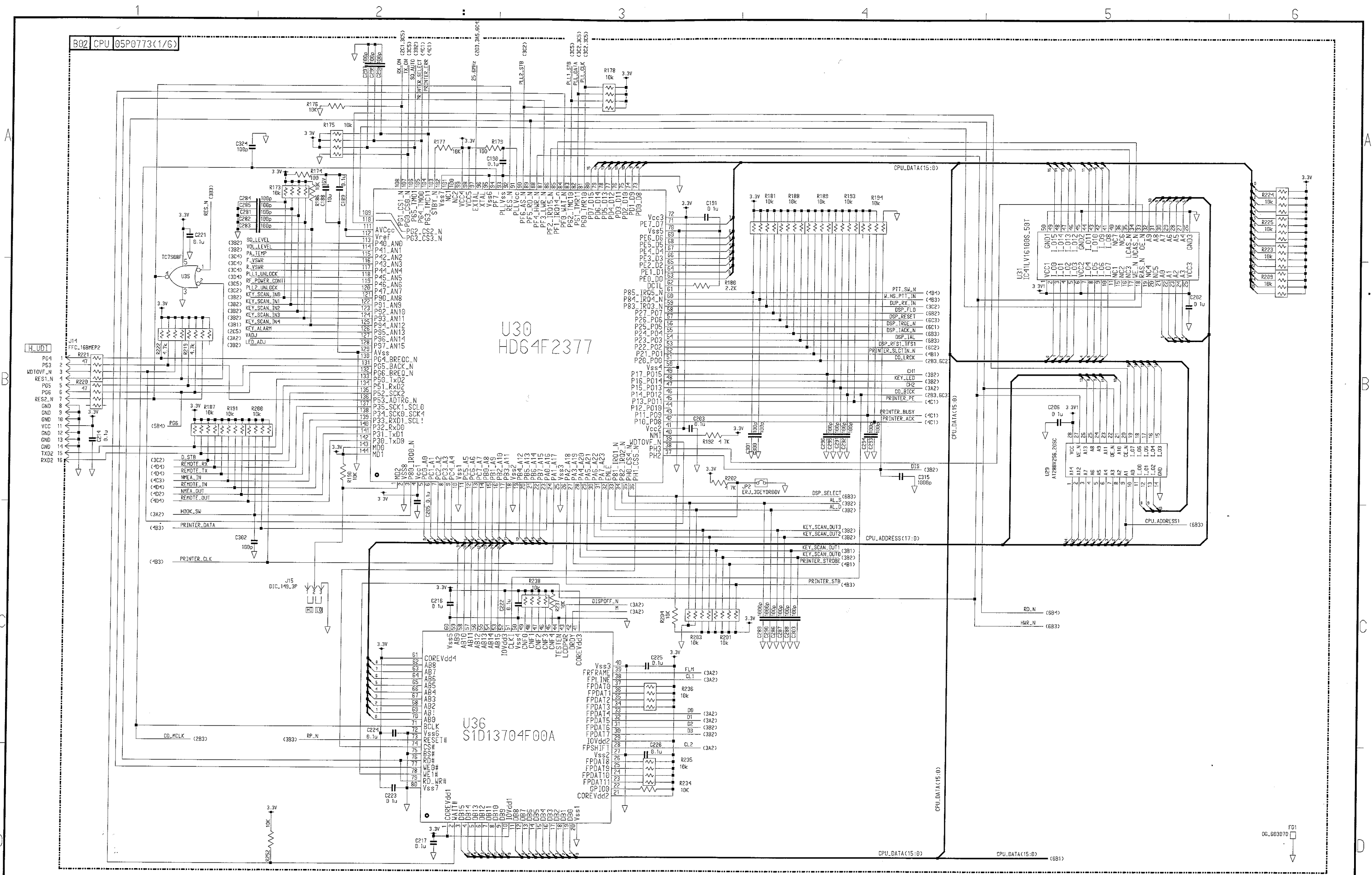


承認 APPROVED	Sep. 27, '04 <i>[Signature]</i>	三角法 THIRD ANGLE PROJECTION	名称 TITLE RADIO TELEPHONE UNIT FM-8800S/FM-8800D GENERAL SCHEMATIC DIAGRAM
検図 CHECKED	Sep. 27, '04 <i>H. Murohara</i>	尺度 SCALE	
製図 DRAWN	Sep. 27, '04 <i>T. Satoh</i>	質量 MASS	
			図番 DWG.NO. 05-001-3946-0

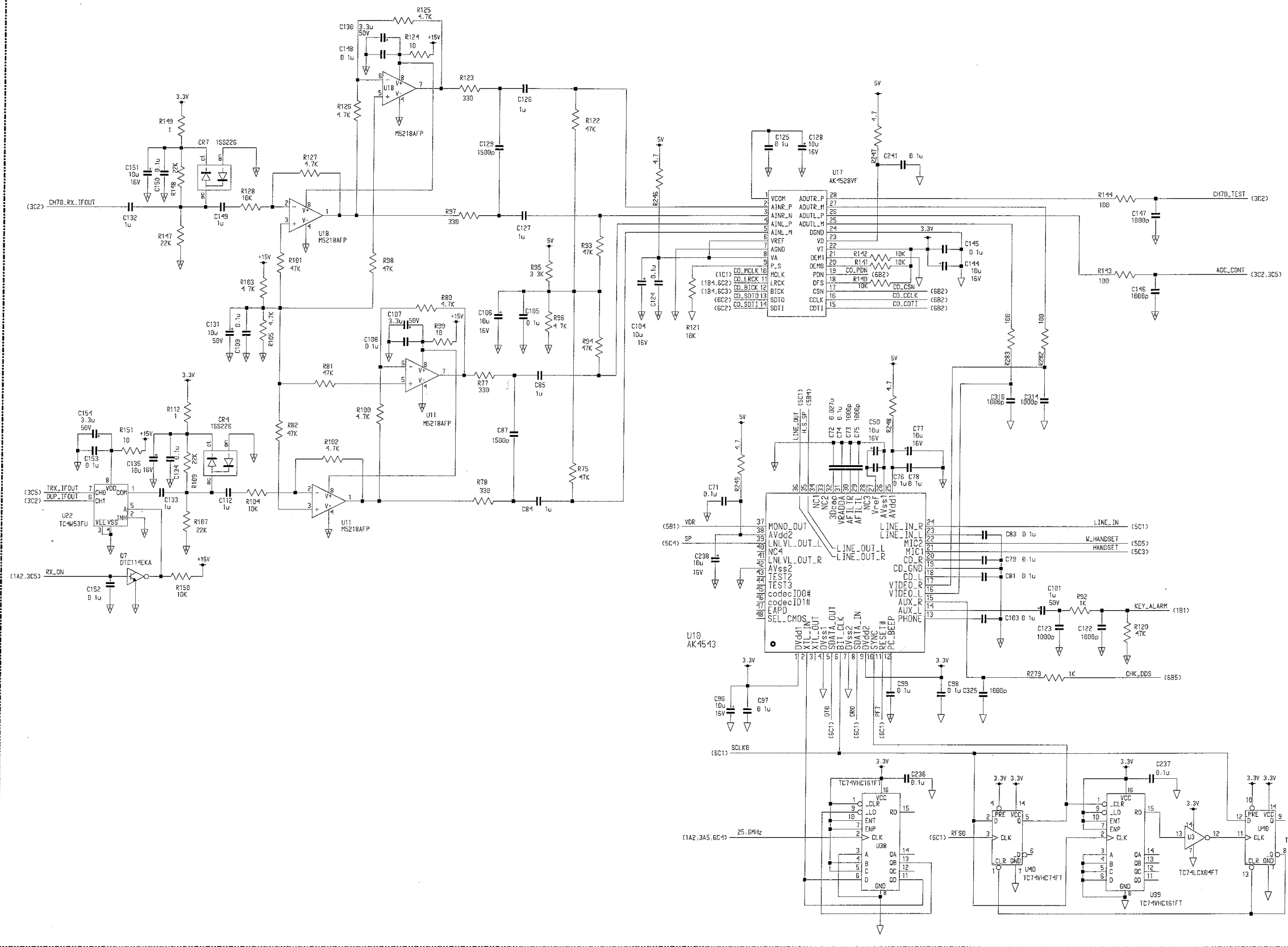




MARK	DATE	REMARKS	REV-BY	APPRV
△ x				
△ x				
△ x				
△ x				
△ x				

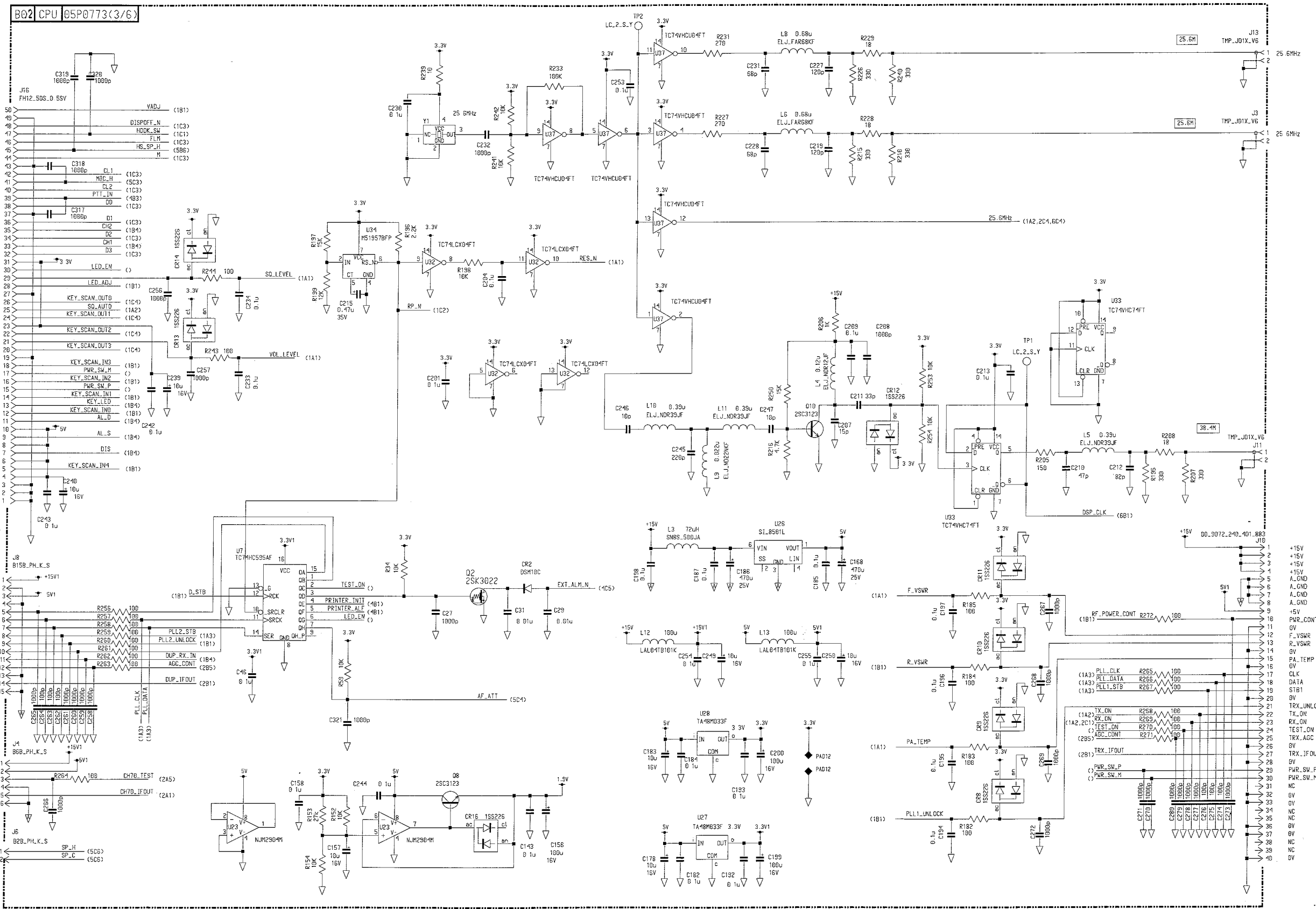
M P L	FM-8800	CODE No.		SHEET No.	1/6
APPRV	CHKD	DSIGND	DRAWN	TIT	B01 CPU 05P0773
<i>Sep. 27, '04</i> / <i>Sep. 29, '04</i> / <i>Sep. 27, '04</i> / <i>Sep. 27, '04</i>			DWG No.	05-001-3947	

B02 CPU 05P0773(2/6)



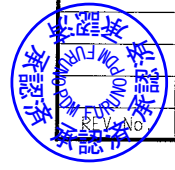
△	x				
△	x				
△	x				
△	x				
△	x				
△	x				
MARK	DATE	REMARKS	REV-BY	APPRV	

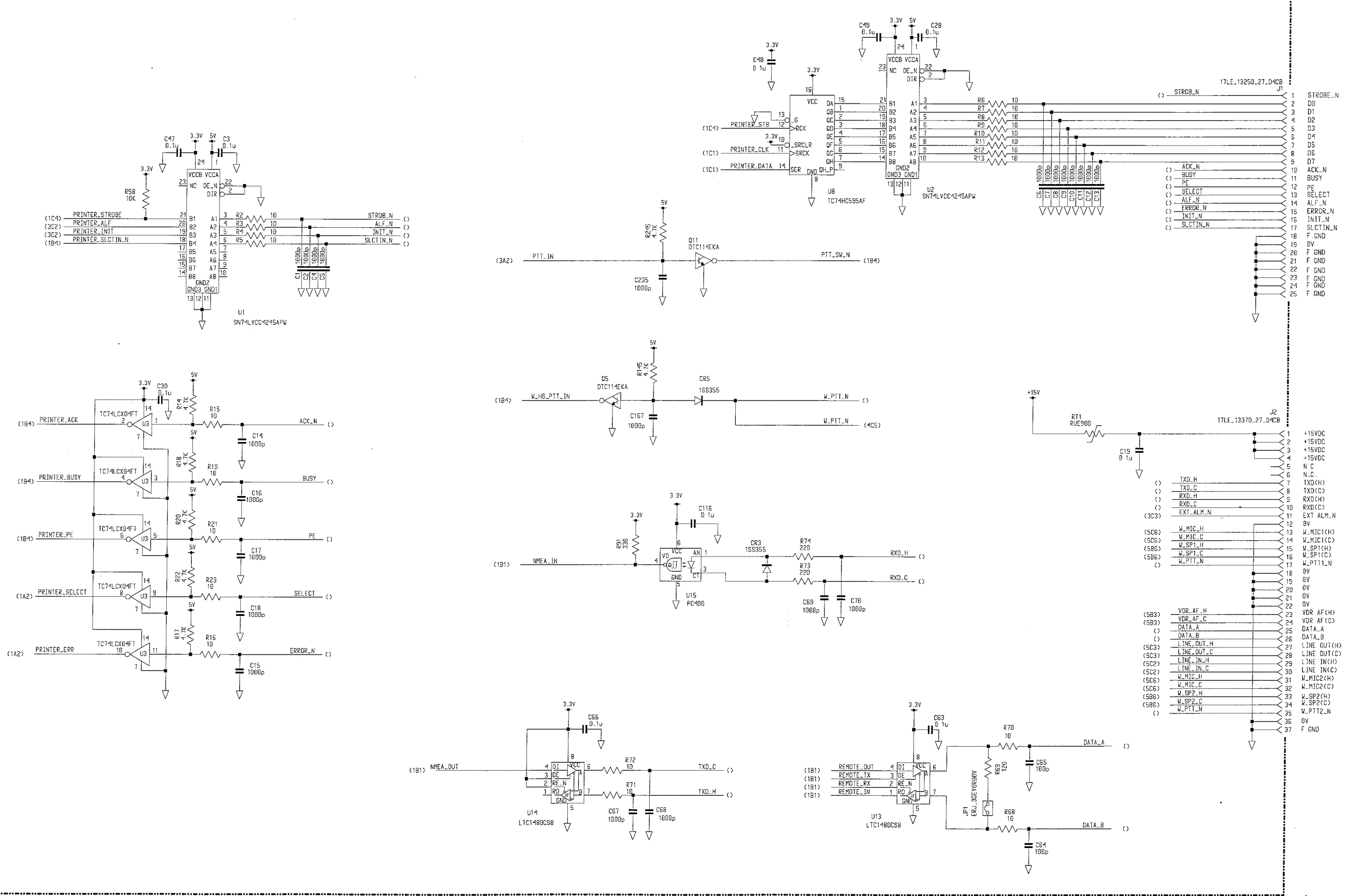
M.P.L.	FM-8800	CODE No.		SHEET No.	2/6
APPRV	CHKD	DSIGND	DRAWN	TIT	B01 CPU 05P0773
SEP. 21, '04	SEP. 27, '04	SEP. 27, '04	SEP. 27, '04	LE	
DWG No.				05-001-3947	



- VADJ (181)
- DISPOFF_N (1C3)
- HOOK_SW_N (1C1)
- FLM (1C3)
- HS_SP_H (586)
- HS_SP_N (1C3)
- MIC_C (1C3)
- MIC_H (5C3)
- CL2 (1C3)
- PTT_SW_N (483)
- DO (1C3)
- D1 (1C2)
- CH2 (184)
- D2 (1C3)
- CH1 (184)
- D3 (1C3)
- LED_EN (1)
- LED_ADJ (181)
- KEY_SCAN_OUT0 (1C4)
- KEY_SCAN_OUT1 (1C4)
- KEY_SCAN_OUT2 (1C4)
- KEY_SCAN_OUT3 (1C4)
- KEY_SCAN_IN0 (181)
- KEY_SCAN_IN1 (181)
- KEY_SCAN_IN2 (181)
- KEY_SCAN_IN3 (181)
- KEY_SCAN_IN4 (181)
- AL_S (184)
- DIS (184)
- KEY_SCAN_IN4 (181)
- B15B_PH_K_S (181)
- TEST_ON (181)
- PRINTER_INIT (481)
- PRINTER_ALF (481)
- LED_EN (181)
- SER (181)
- AF_ATT (5C4)
- CH70_TEST (245)
- CH70_IFOUT (241)
- SP_H (5C6)
- SP_C (5C6)

M/D	FM-8800	CODE No.		SHEET	3/6
ITEM No.				No.	
APPRV	CHKD	DSIGND	DRAWN	TIT	B01 CPU 05P0773
<i>5/27/05</i> <i>10/27/05</i> <i>10/27/05</i> <i>10/27/05</i>				DWG	05-001-3947
				No.	

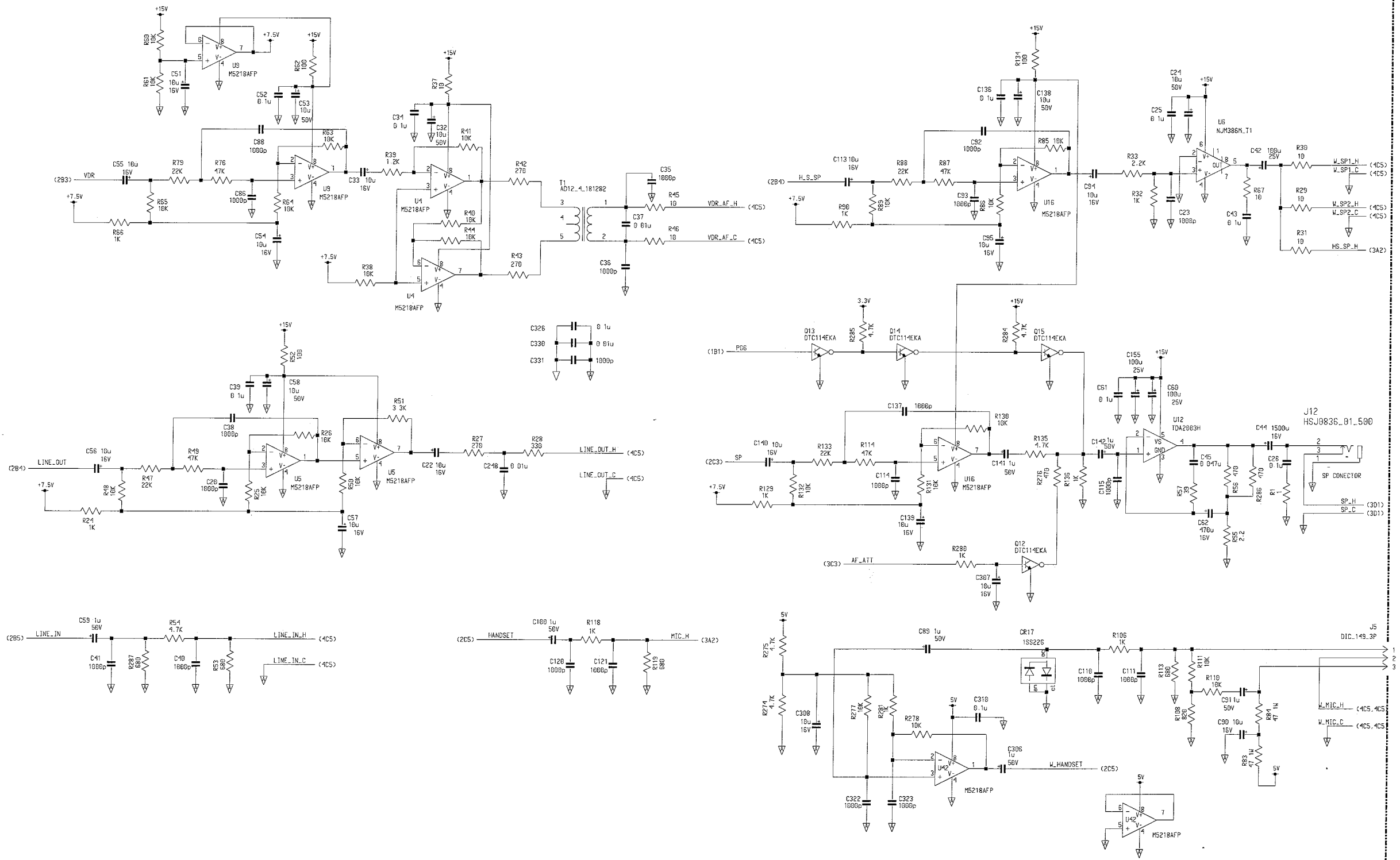




△x					
△x					
△x					
△x					
△x					
△x	MARK	DATE	REMARKS	REV-BY	APPRV

M	FM-8800	CODE No.		SHEET	4/6
P		ITEM No.		No.	
APPRV	CHKD	DSIGND	DRAWN	TIT	B01 CPU 05P0773
Sep. 27, '04	Sep. 27, '04	Sep. 27, '04	Sep. 27, '04	-LE	
DWG No.				05-001-3947	

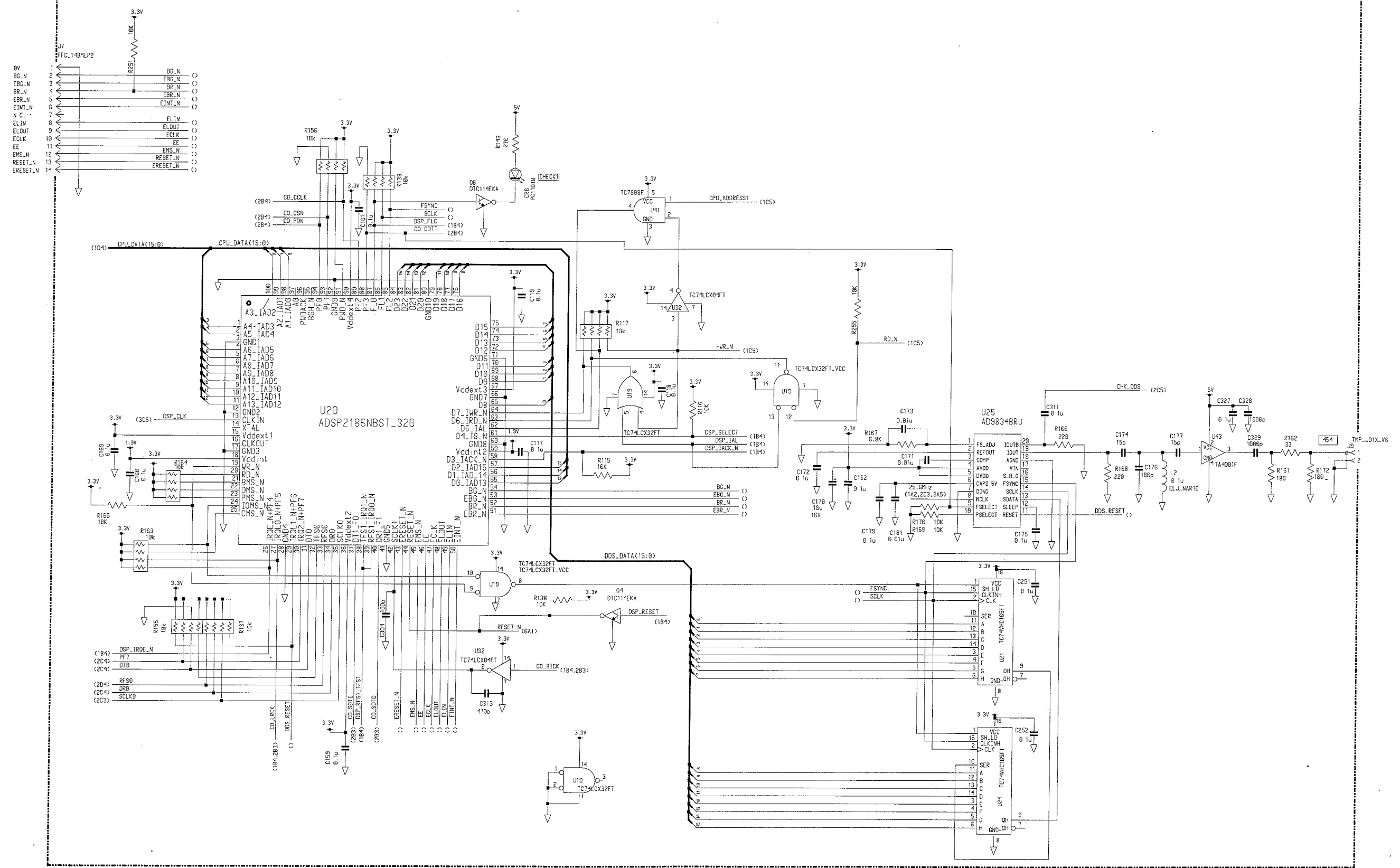
B01 CPU 05P0773(5/6)



△	x				
△	x				
△	x				
△	x				
△	x				
△	x				
MARK	DATE	REMARKS	REV-BY	APPRV	

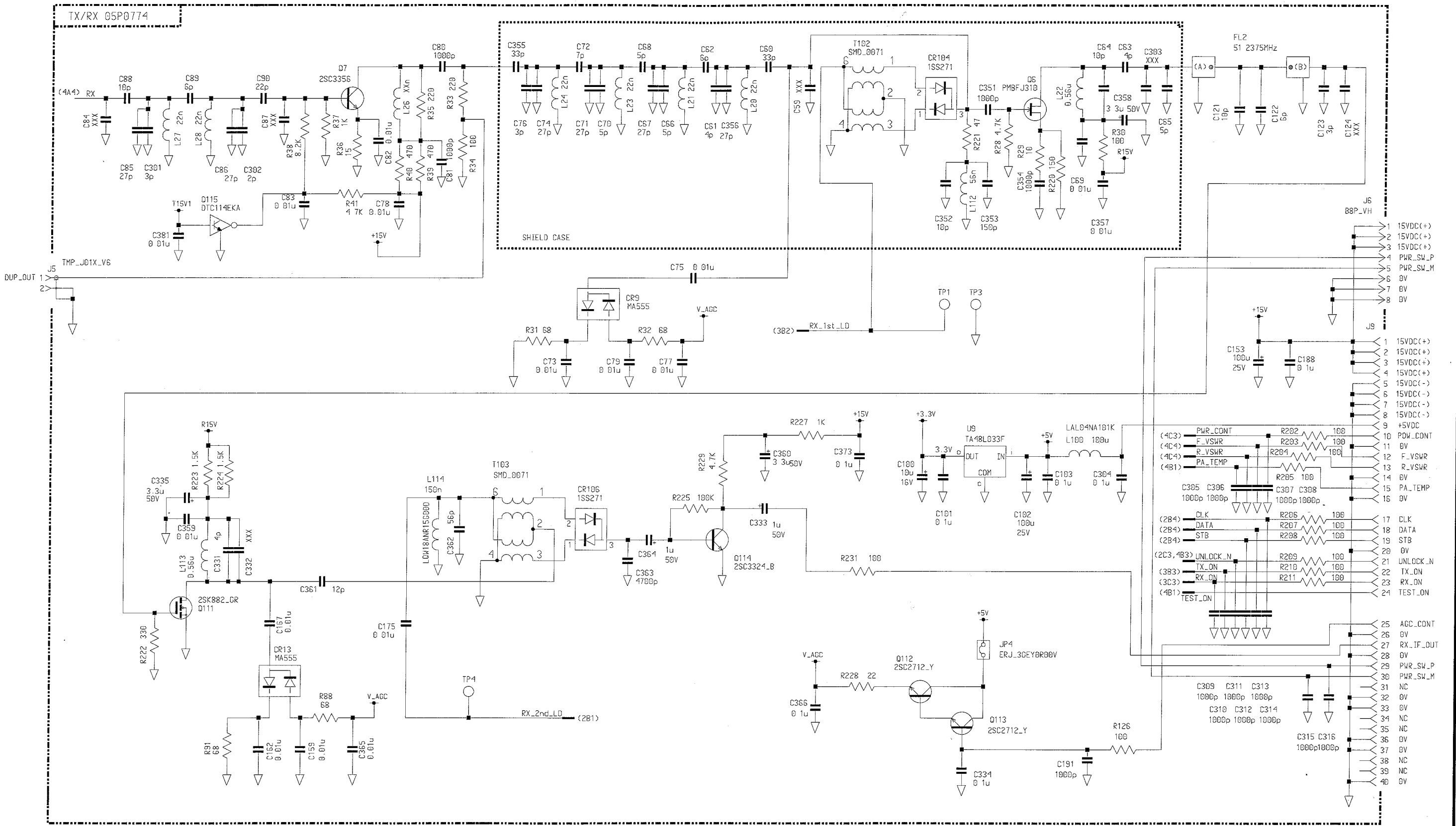
M/D	FM-8800	CODE No.		SHEET	5/6
ITEM No.					
APPRV	CHKD	DSGND	DRAWN	TIT	B01 CPU 05P0773
Sep. 21, 1994	Sep. 27, 1994	Sep. 27, 1994	Sep. 27, 1994	-LE	
DWG No.				05-001-3947	

B01 CPU 05P0773(6/6)



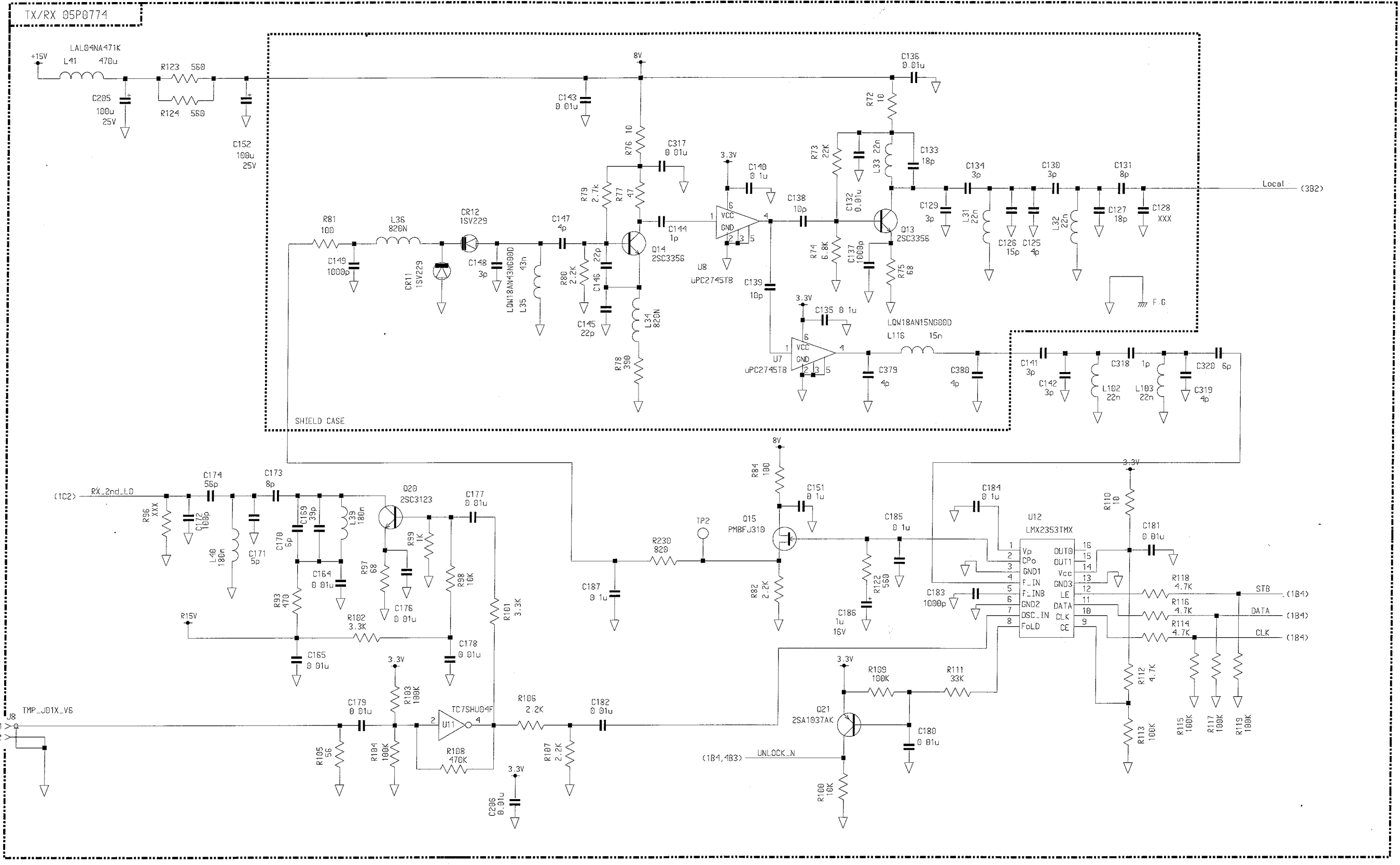
△x					
△x					
△x					
△x					
△x					
MARK	DATE	REMARKS	REV-BY	APPRV	

M/D/L	FM-8800	CODE No.		SHEET No.	6/6
APPRV	CHKD	DSIGND	DRAWN	TIT-LE	B01 CPU 05P0773
54.27.04 Sep. 27, '04 2-2 H. Muraishi			27.04 Sep. 27, '04 M. Shiro		
DWG No.				05-001-3947	



MARK	DATE	REMARKS	REV-BY	APPRV
△ x				
△ x				
△ x				
△ x				
△ x				

M	FM-8800S/D	CODE No.		SHEET No.	1/4
D		ITEM No.			
L					
APPRV	CHKD	DSIGND	DRAWN	TIT	TX/RX 05P0774
Sep. 27. '04	Sep. 27. '04	Sep. 27. '04	Sep. 27. '04	-LE	
				DWG No.	05-001-3949-0

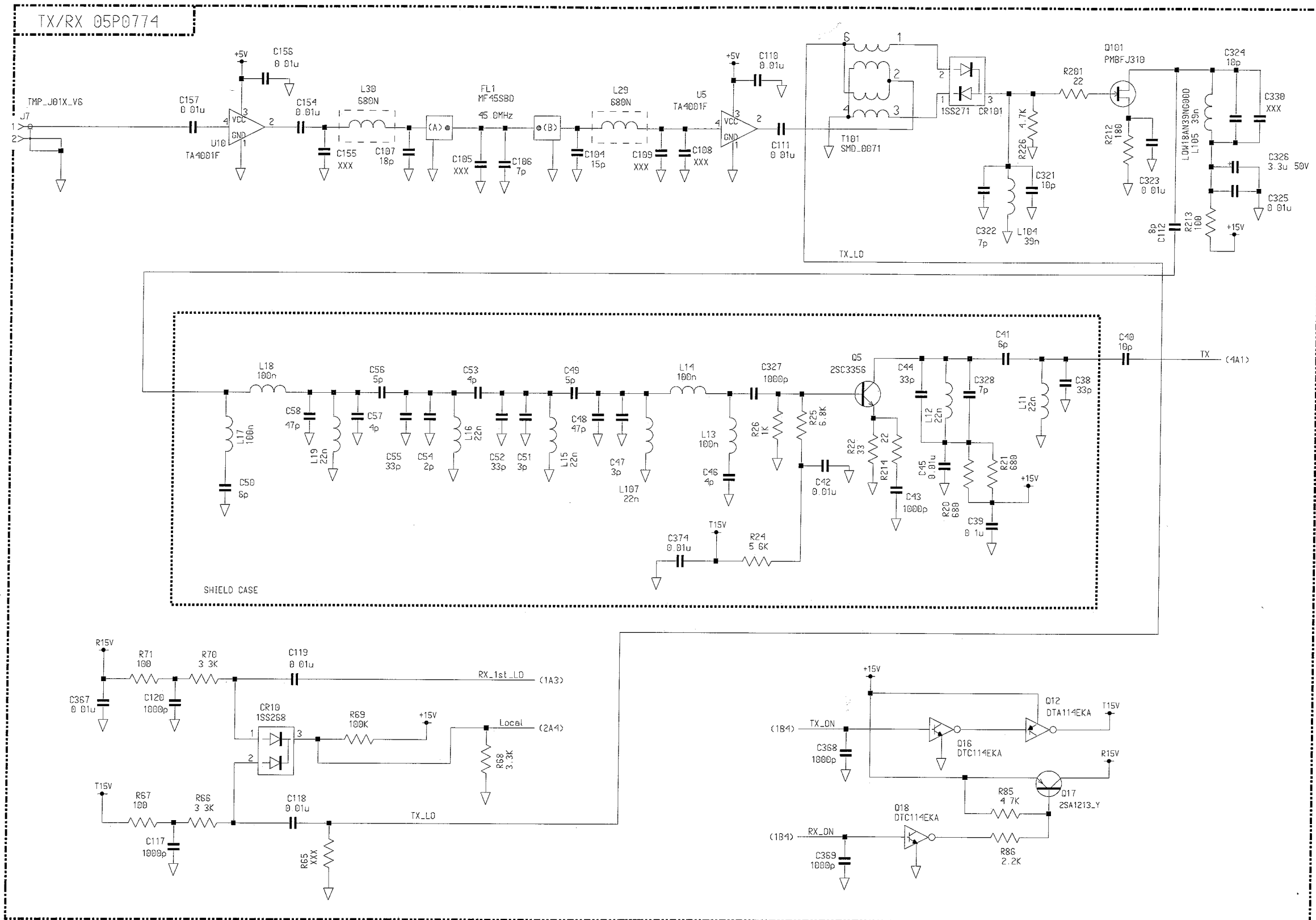


△ x					
△ x					
△ x					
△ x					
△ x					
	MARK	DATE	REMARKS	REV-BY	APPRV

M/D/L	FM-8800S/D	CODE No.			SHEET No.	2/4
		ITEM No.				
APPRV	CHKD	DSIGND	DRAWN	TIT	TX/RX 05P0774	
5ep.27.04	5ep.27.04	5ep.27.04	5ep.27.04	-LE		
<i>[Signature]</i>				DWG No.	05-001-3949-0	

FURUNO ELECTRIC CO., LTD.

LOC43-28

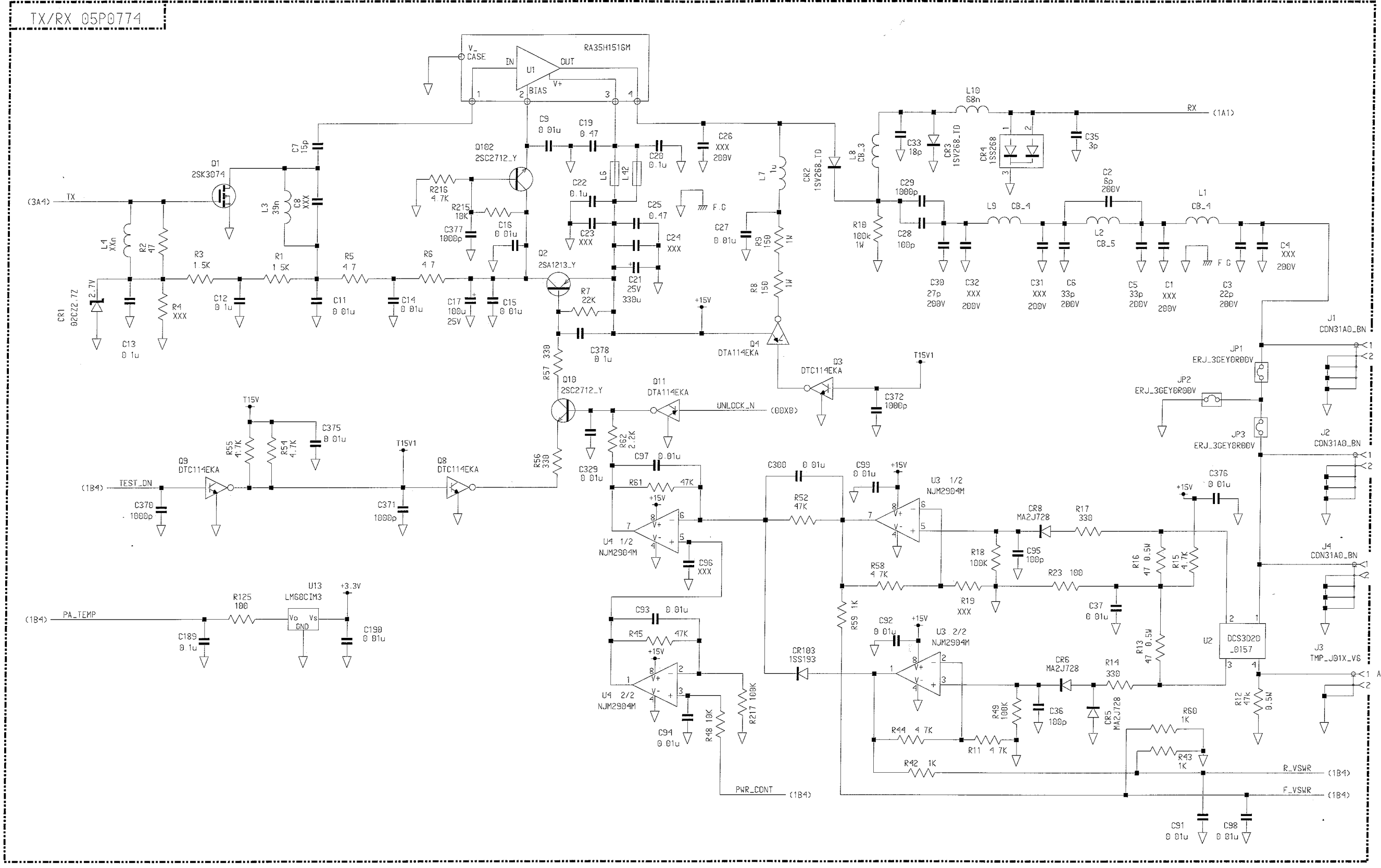


△ x					
△ x					
△ x					
△ x					
△ x					
MARK	DATE	REMARKS	REV-BY	APPRV	

M D L	FM-8800S/D	CODE No.		SHEET No.	3/4
APPRV	CHCKD	DSIGND	DRAWN	TIT -LE	TX/RX 05P0774
Sep. 27. 04	Sep. 27. 04	Sep. 27. 04	Sep. 27. 04	DWG No.	05-001-3949-0

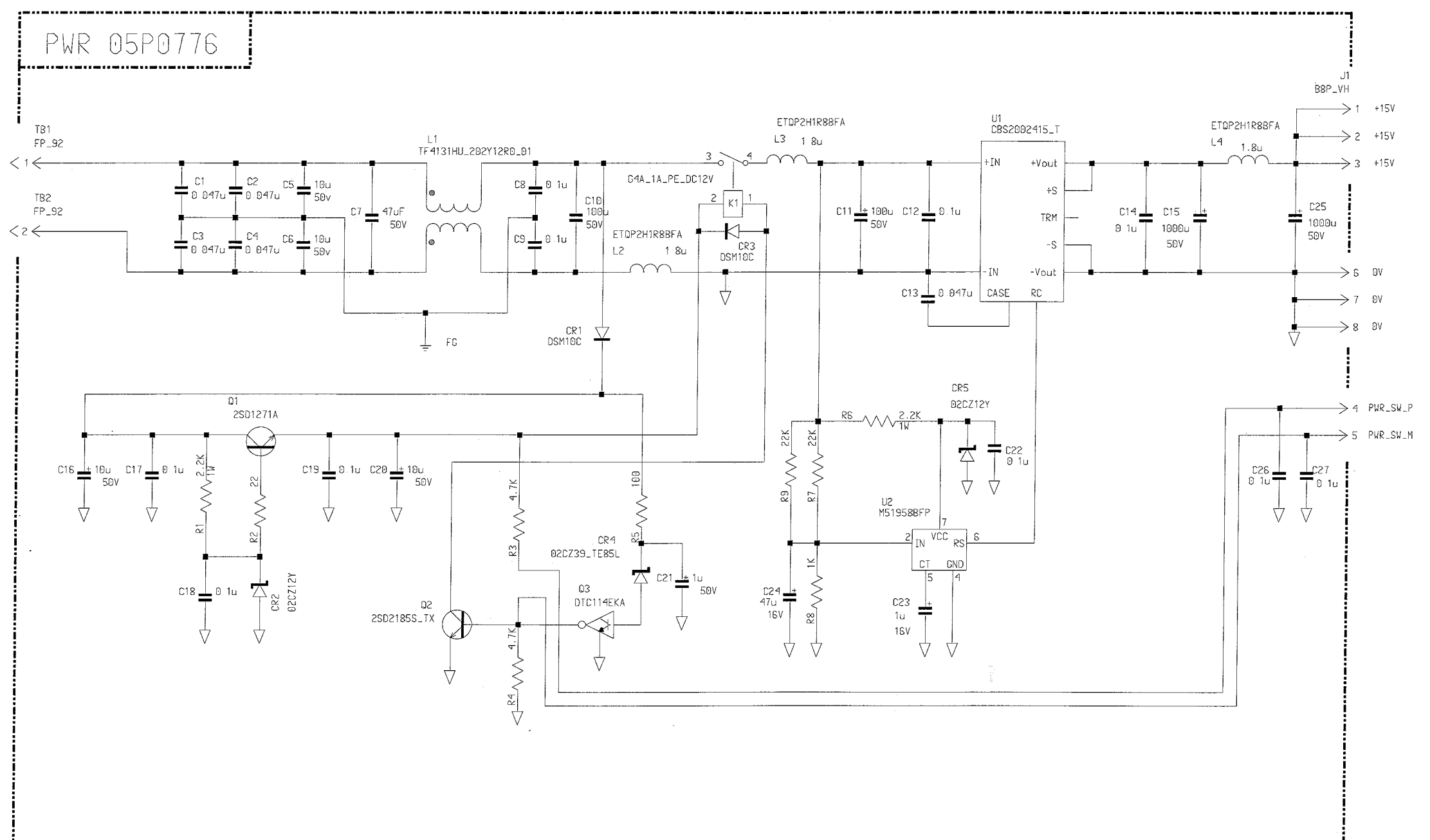


TX/RX 05P0774



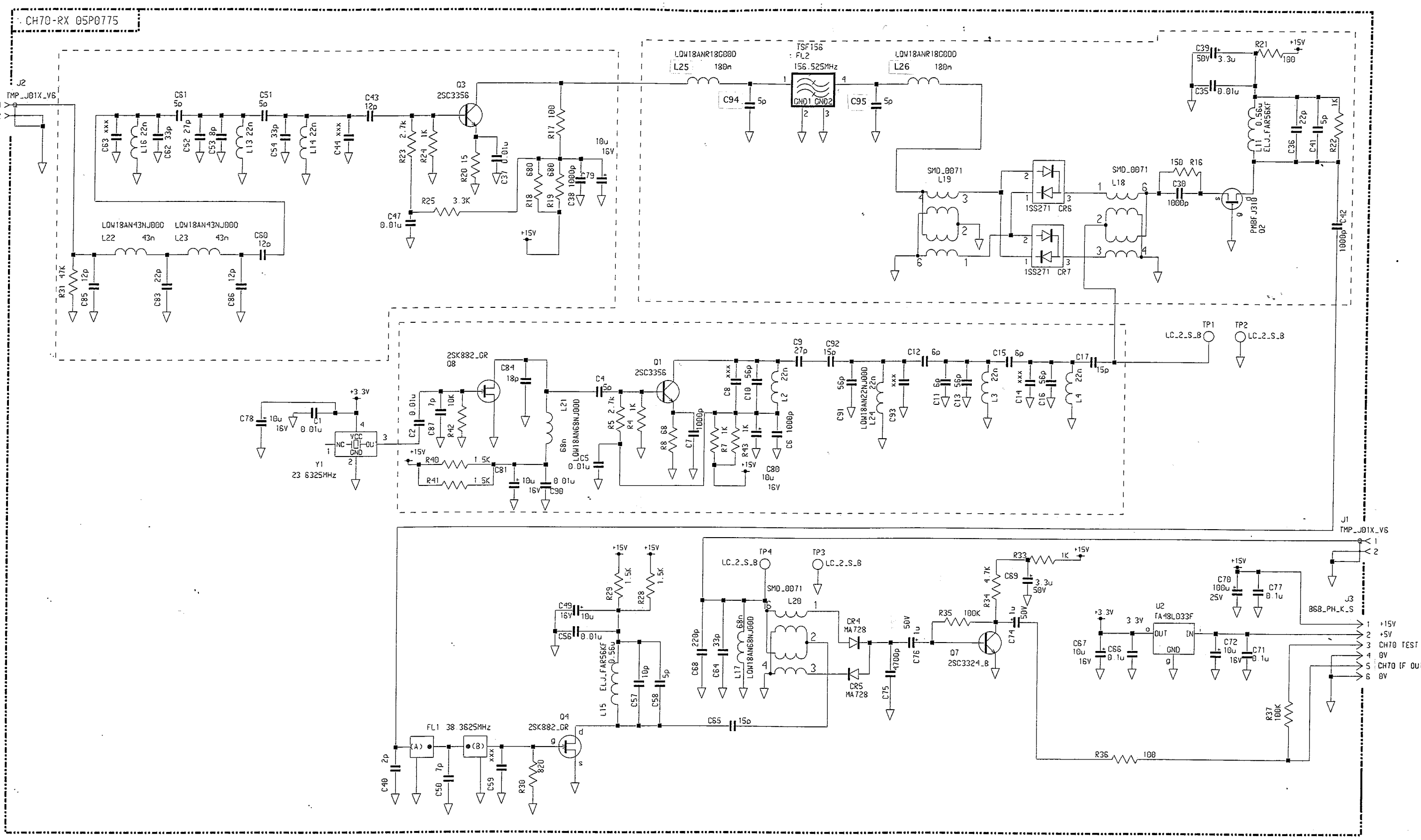
△ x					
△ x					
△ x					
△ x					
△ x					
MARK	DATE	REMARKS	REV-BY	APPRV	

M	FM-8800 S/D	CODE No.		SHEET	4/4
D		ITEM No.		No.	
L					
APPRV	CHCKD	DSIGND	DRAWN	TIT	TX/RX 05P0774
Sep. 27. 04	Sep. 27. 04	Sep. 27. 04	Sep. 27. 04	-LE	
				DWG	05-001-3949-0
				No.	



△ x					
△ x					
△ x					
△ x					
△ x					
MARK	DATE	REMARKS	REV-BY	APPRV	

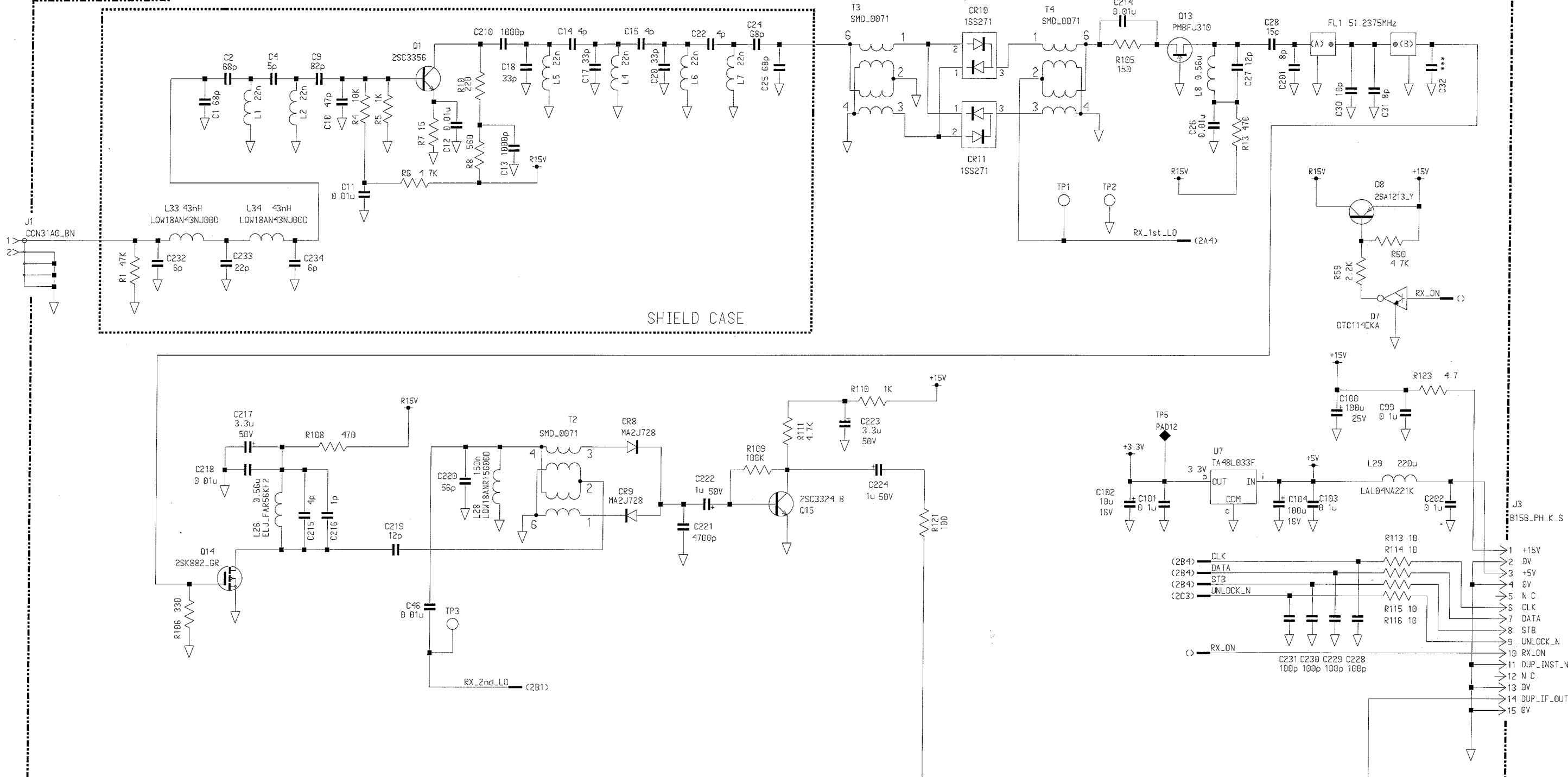
M						CODE No.								SHEET No.	1/1
D						ITEM No.									
L															
	APPRV	CHCKD	DSIGND	DRAWN	TIT	PWR 05P0776-22									
					-LE	05-001-3950-0									
					DWG No.										



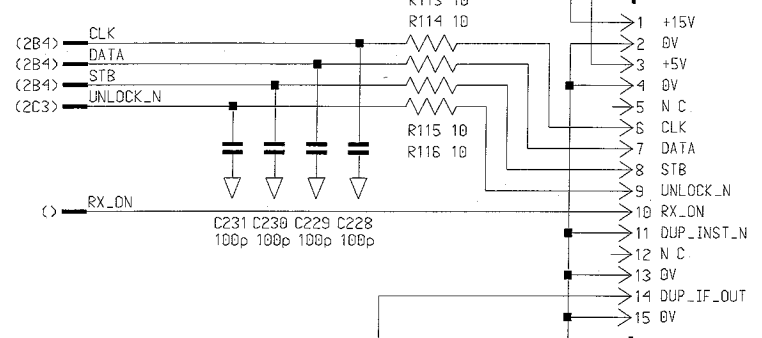
△	x				
△	x				
△	x				
△	x				
△	x				
MARK	DATE	REMARKS	REV-BY	APPRV	

M D L	FM-8800S/D		CODE No.		SHEET No.	1/1
			ITEM No.			
APPRV	CHCKD	DSIGND	DRAWN	TIT	CH70_RX 05P0775	
				-LE		
2/2/04 H. M. ... M. Takase M. Takase				DWG No.	05-001-3951-0	

DUP-RX 05P0777

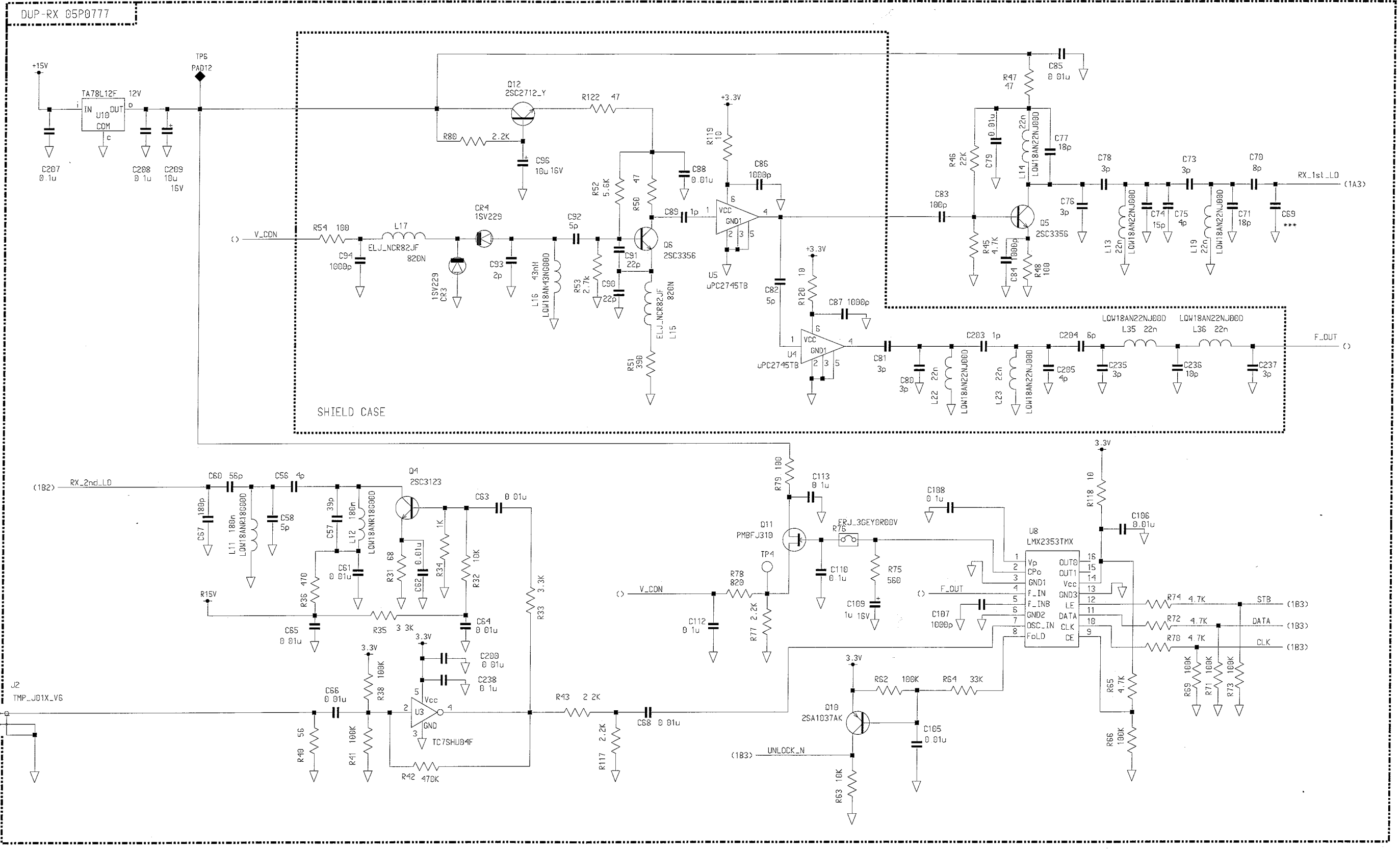


SHIELD CASE



MARK	DATE	REMARKS	REV-BY	APPRV
△ x				
△ x				
△ x				
△ x				
△ x				

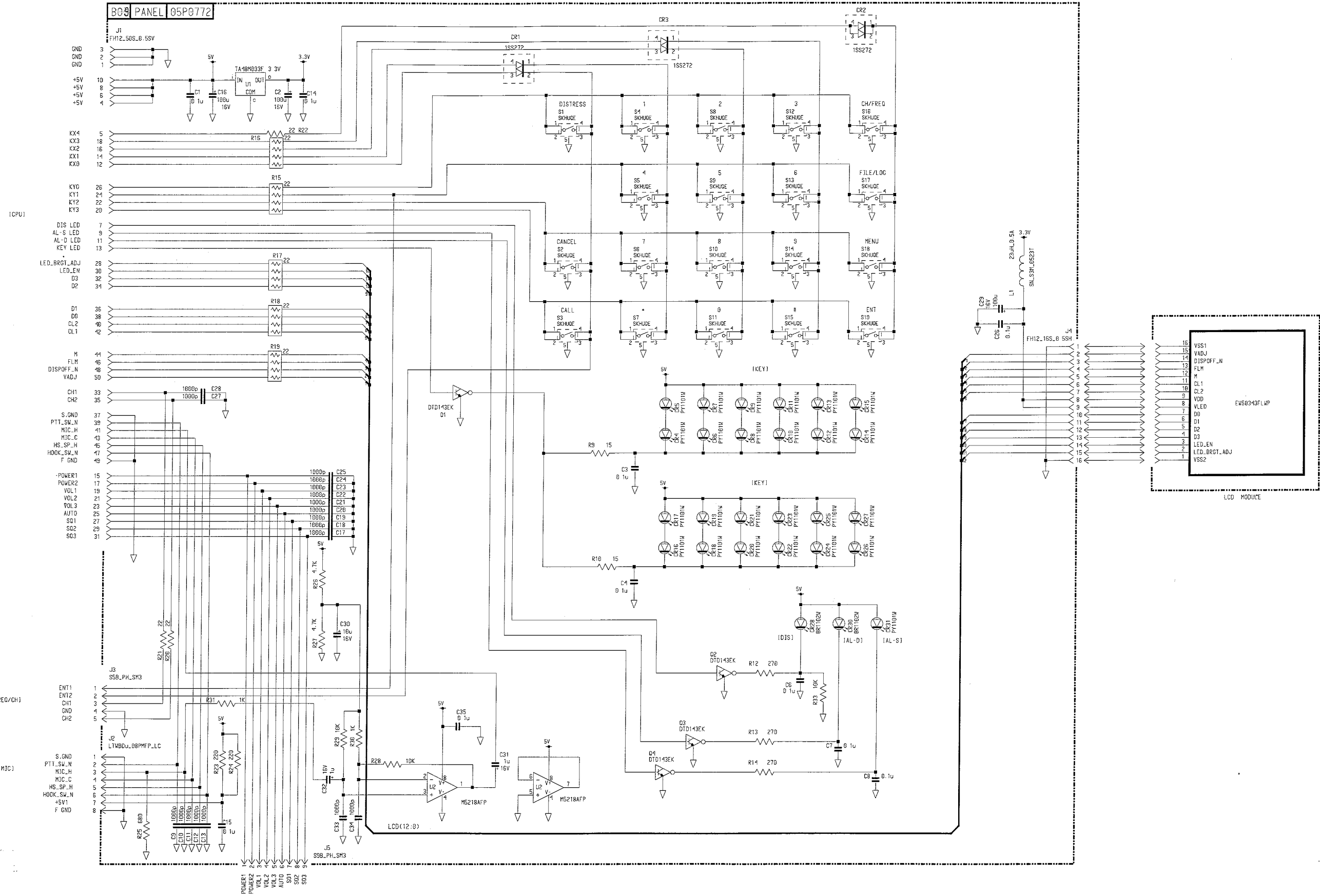
M D L	FM-8800S/D	CODE No.		SHEET No.	1/2
APPRV	CHKD	DSIGND	DRAWN	TIT -LE	DUP_RX 05P0777
				DWG No.	05-001-3952-0



△ x				
△ x				
△ x				
△ x				
△ x				
MARK	DATE	REMARKS	REV-BY	APPRV

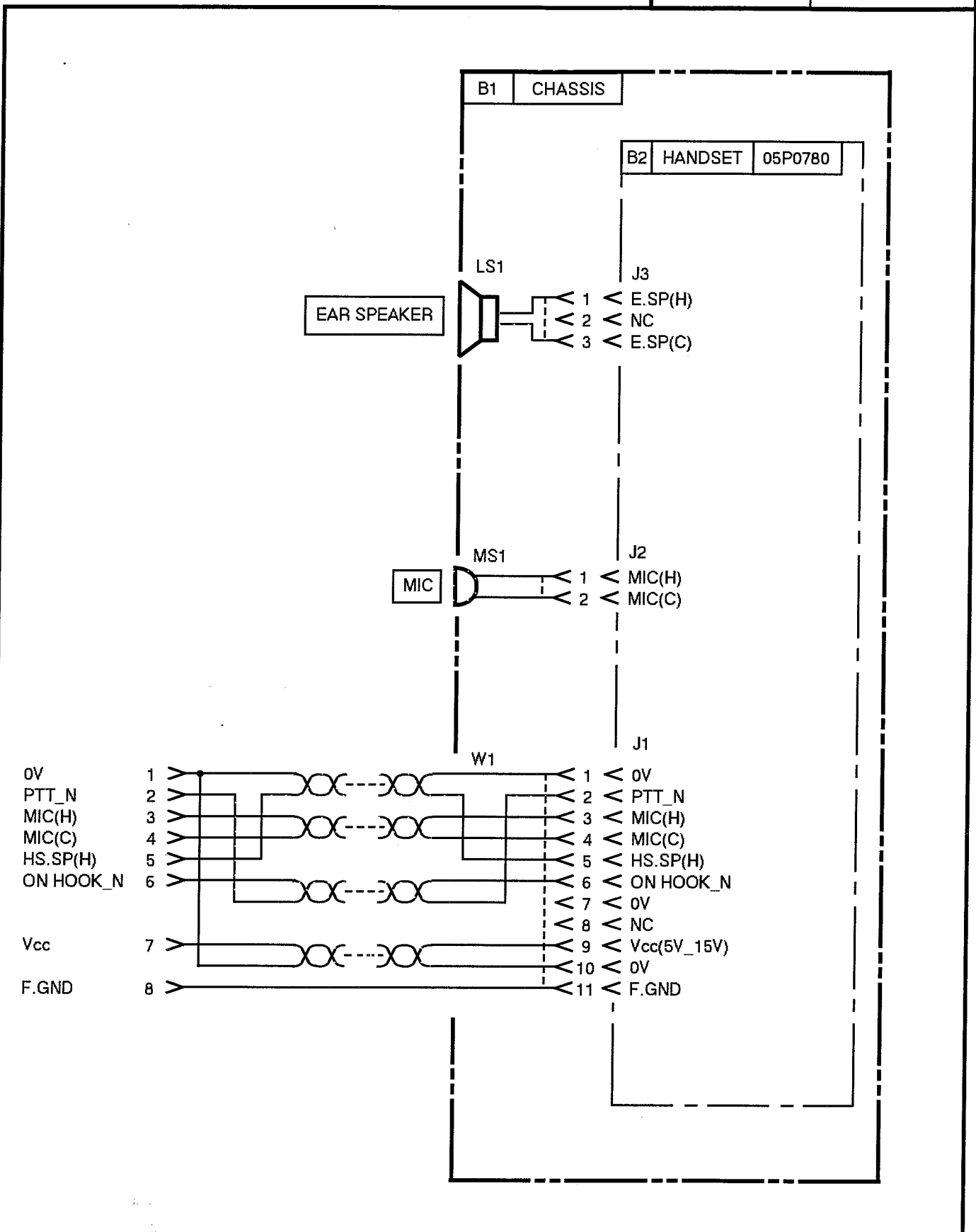
M	D	L	CODE No.		SHEET No. 2/2
			ITEM No.		
APPRV	CHCKD	DSIGND	DRAWN	TIT -LE	DUP_RX 05P0777
<i>R. J.</i>	<i>Sep. 22, '04</i>	<i>Sep. 22, '04</i>	<i>Sep. 22, '04</i>	DWG No.	05-001-3952-0





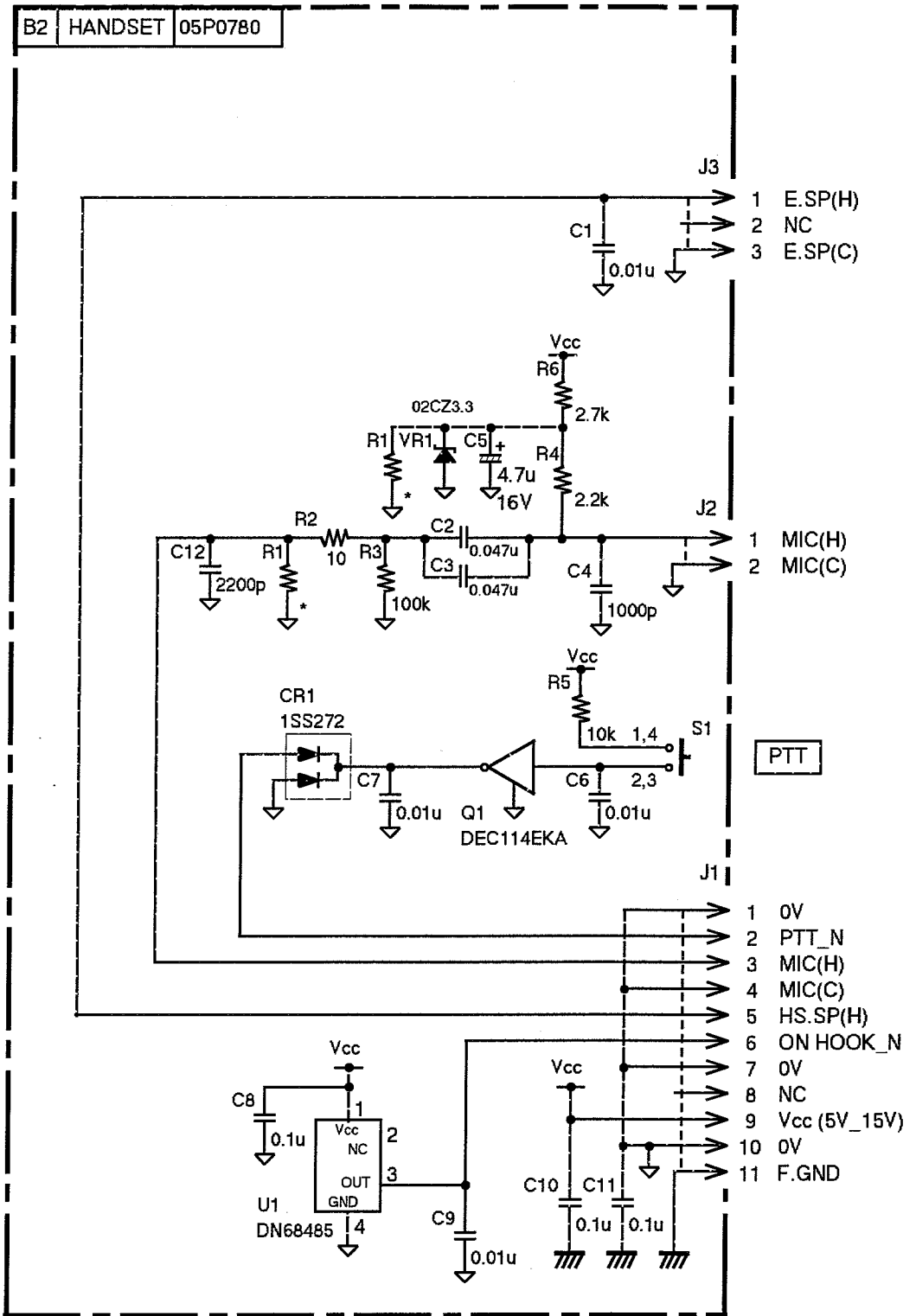
△	x				
△	x				
△	x				
△	x				
△	x				
△	x				
MARK	DATE	REMARKS	REV-BY	APPRV	

M	FM-8800	CODE No.		SHEET	1/1
APPRV	CHCKD	DSIGND	DRAWN	TIT	
ITEM No.				-LE	B04 PANEL 05P0772
DATE	DATE	DATE	DATE	DWG No.	05-001-3948-0
27.09.2014	27.09.2014	27.09.2014	27.09.2014		



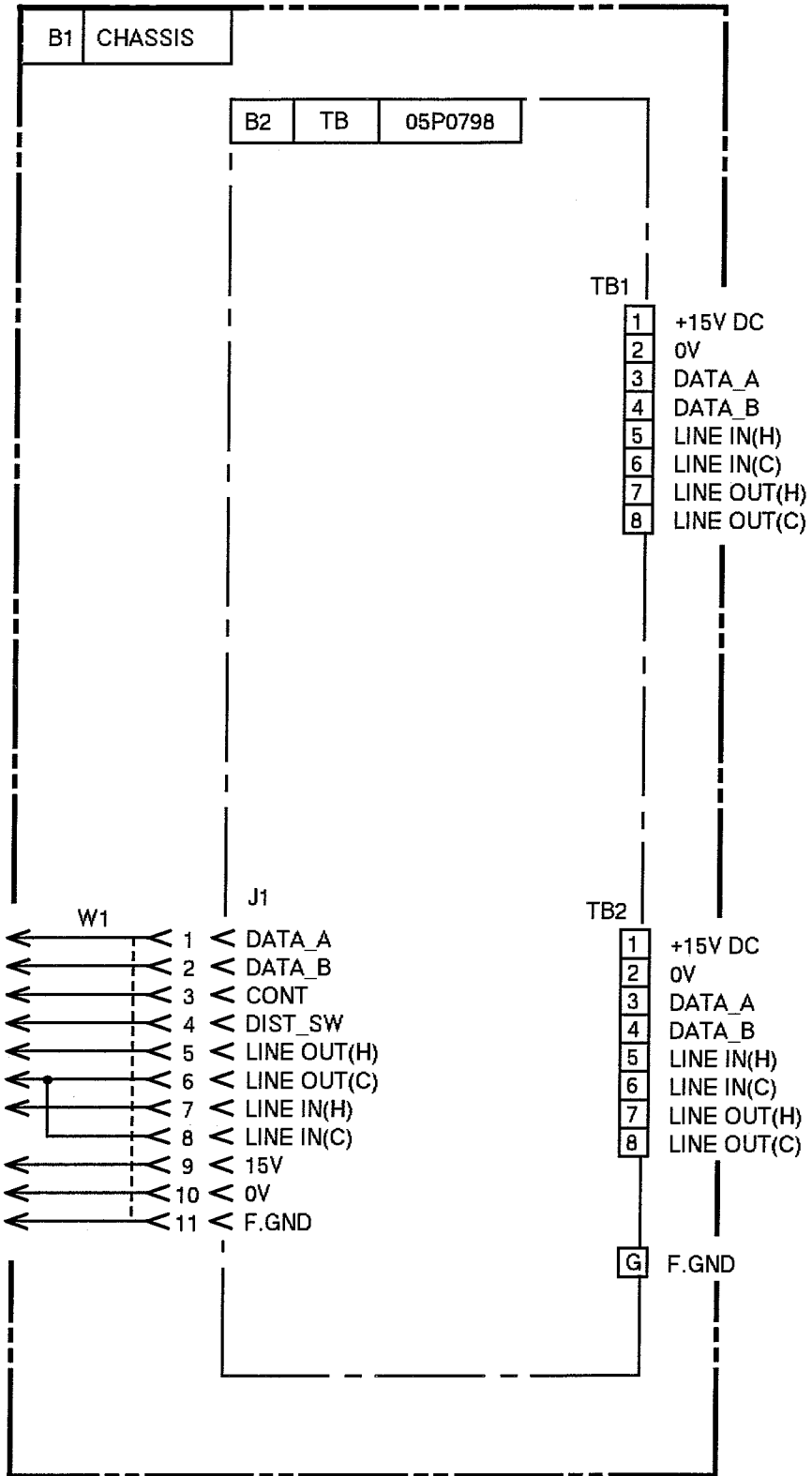
承認 APPROVED	<i>X.Y. 2/24/04</i>	三角法 THIRD ANGLE PROJECTION		名称 TITLE	HANDSET HS-2003 GENERAL SCHEMATIC DIAGRAM
検図 CHECKED	<i>Sep. 21. '04 H. Murakami</i>	尺度 SCALE		図番 DWG.NO.	05-001-4464-0
製図 DRAWN	<i>Sep. 15. '04 M. Takase</i>	質量 MASS	kg		





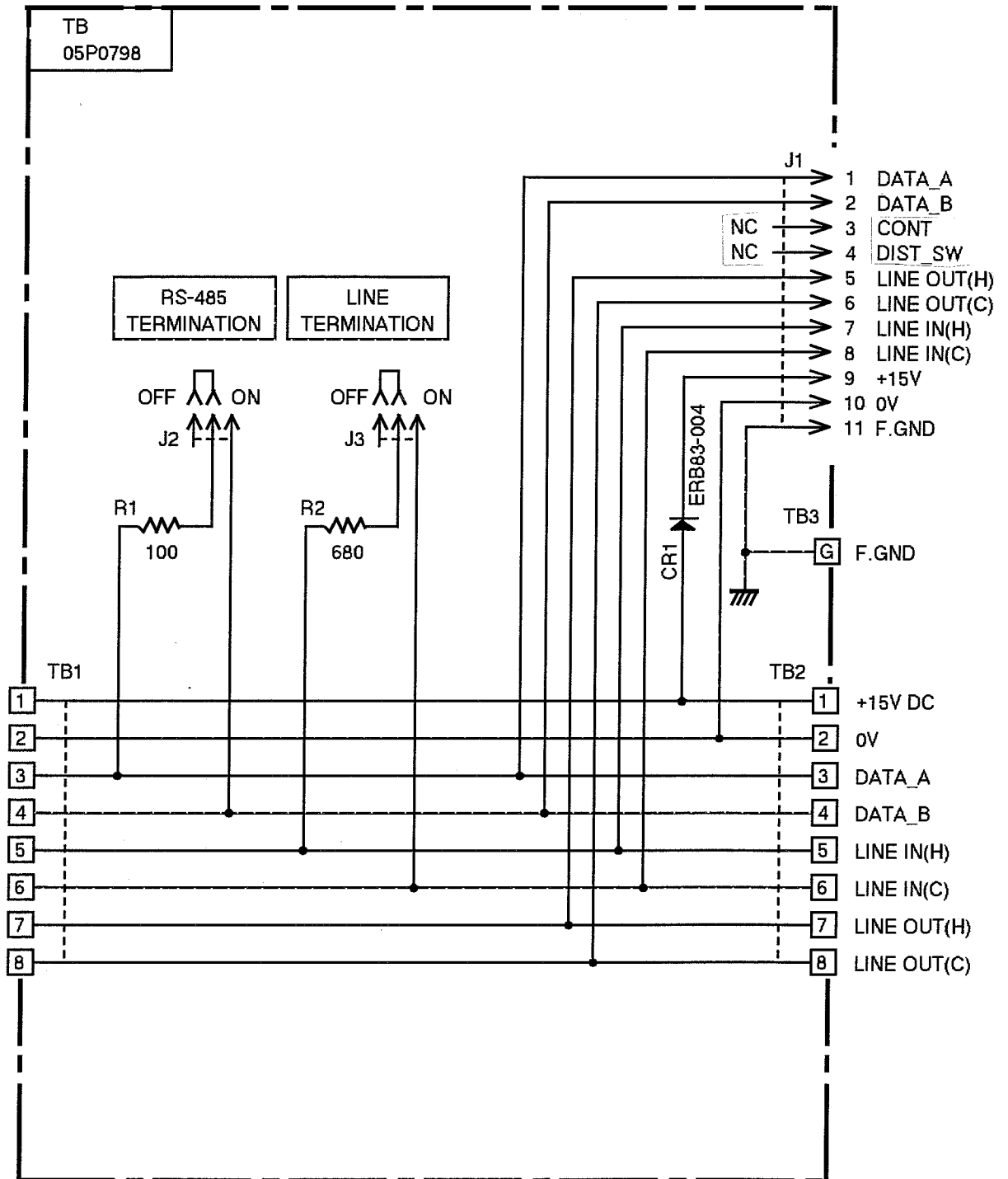
承認 APPROVED	<i>K. Y. Yuzuy</i>	三角法 THIRD ANGLE PROJECTION		名称 TITLE	HANDSET 05P0780 SCHEMATIC DIAGRAM
検図 CHECKED	<i>Sep. 21. '04 H. Murakami</i>	尺度 SCALE			
製図 DRAWN	<i>Sep. 15. '04 M. Takase</i>	質量 MASS	kg	図番 DWG.NO.	05-001-4465-0





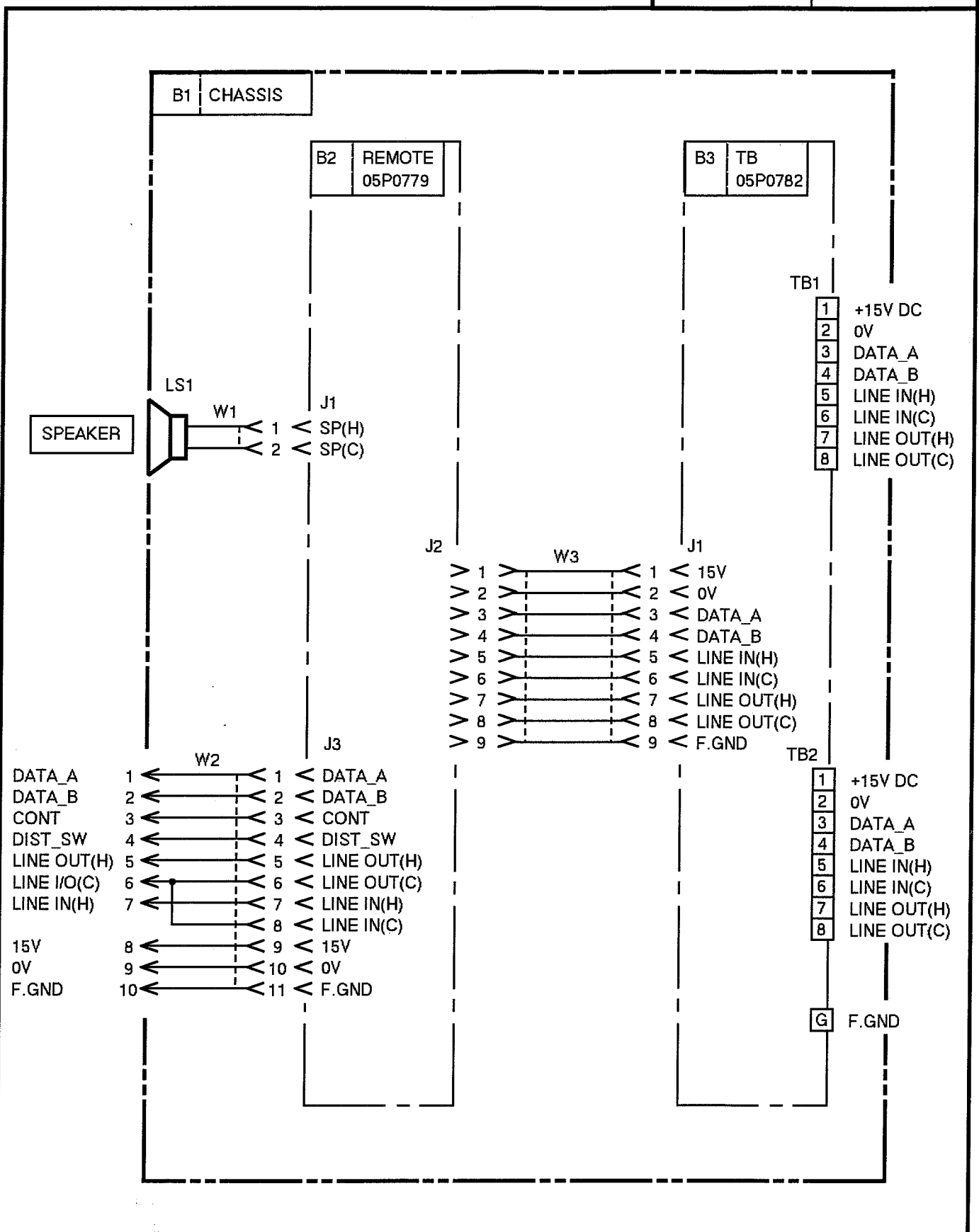
承認 APPROVED	<i>[Signature]</i> 9/22/04	三角法 THIRD ANGLE PROJECTION		名称 TITLE	REMOTE STATION RB-8810 GENERAL SCHEMATIC DIAGRAM
検図 CHECKED	<i>[Signature]</i> Sep. 21, '04	尺度 SCALE			
製図 DRAWN	<i>[Signature]</i> Sep. 15, '04	質量 MASS	kg	図番 DWG.NO.	05-001-4470-0





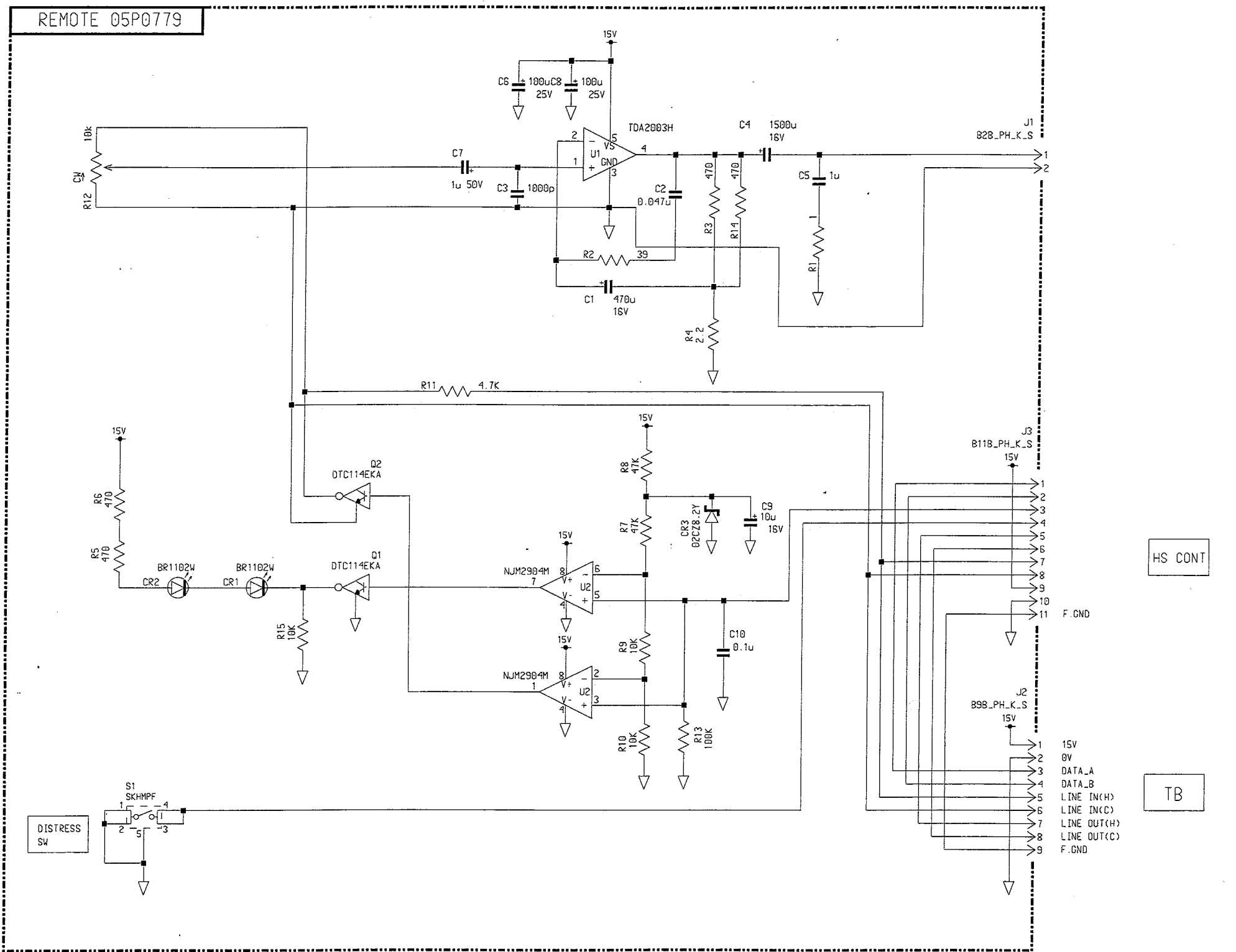
承認 APPROVED	<i>K. J. 9/21/04</i>	三角法 THIRD ANGLE PROJECTION		名称 TITLE	05P0798 TB SCHEMATIC DIAGRAM
検図 CHECKED	<i>Sep. 21. '04 H. Murakami</i>	尺度 SCALE		図番 DWG.NO.	05-001-4471-0
製図 DRAWN	<i>Aug. 17. '04 M. Takase</i>	質量 MASS	kg		





承認 APPROVED	<i>X.Y. Yip</i>	三角法 THIRD ANGLE PROJECTION		名称 TITLE	REMOTE STATION RB-8800 GENERAL SCHEMATIC DIAGRAM
検図 CHECKED	<i>Sep. 21, '04</i> <i>N. Muro</i>	尺度 SCALE		図番 DWG.NO.	05-001-4467-0
製図 DRAWN	<i>Sep. 15, '04</i> <i>M. Sakase</i>	質量 MASS	kg		

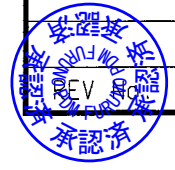


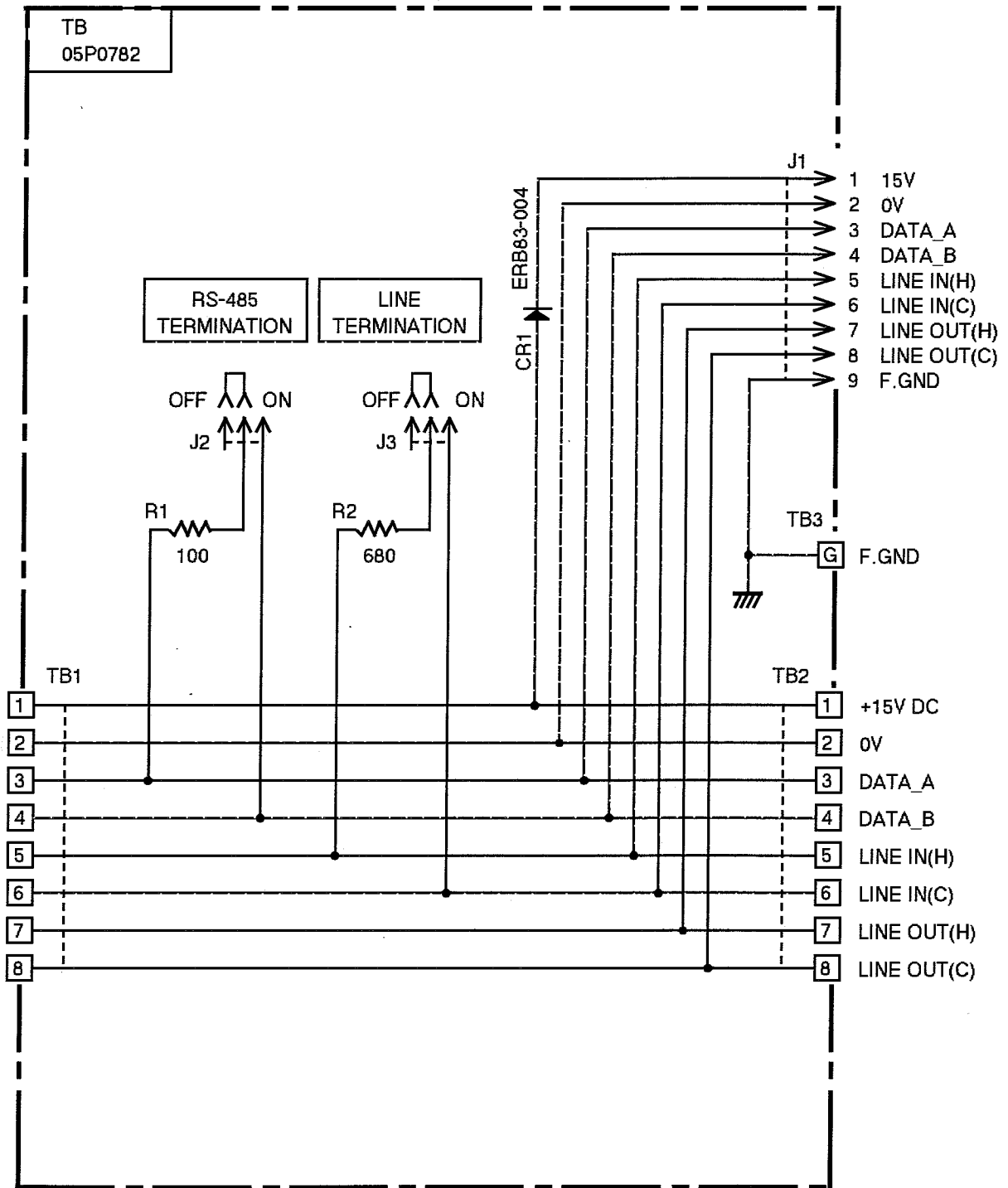


△x					
△x					
△x					
△x					
△x					
MARK	DATE	REMARKS	REV-BY	APPRV	

M D L	CODE No.										SHEET No.	1/1
	ITEM No.											
APPRV	CHCKD	DSIGND	DRAWN	TIT	REMOTE 05P0779							
				-LE								
DWG No.				05-001-3961-0								

FURUNO ELECTRIC CO., LTD.





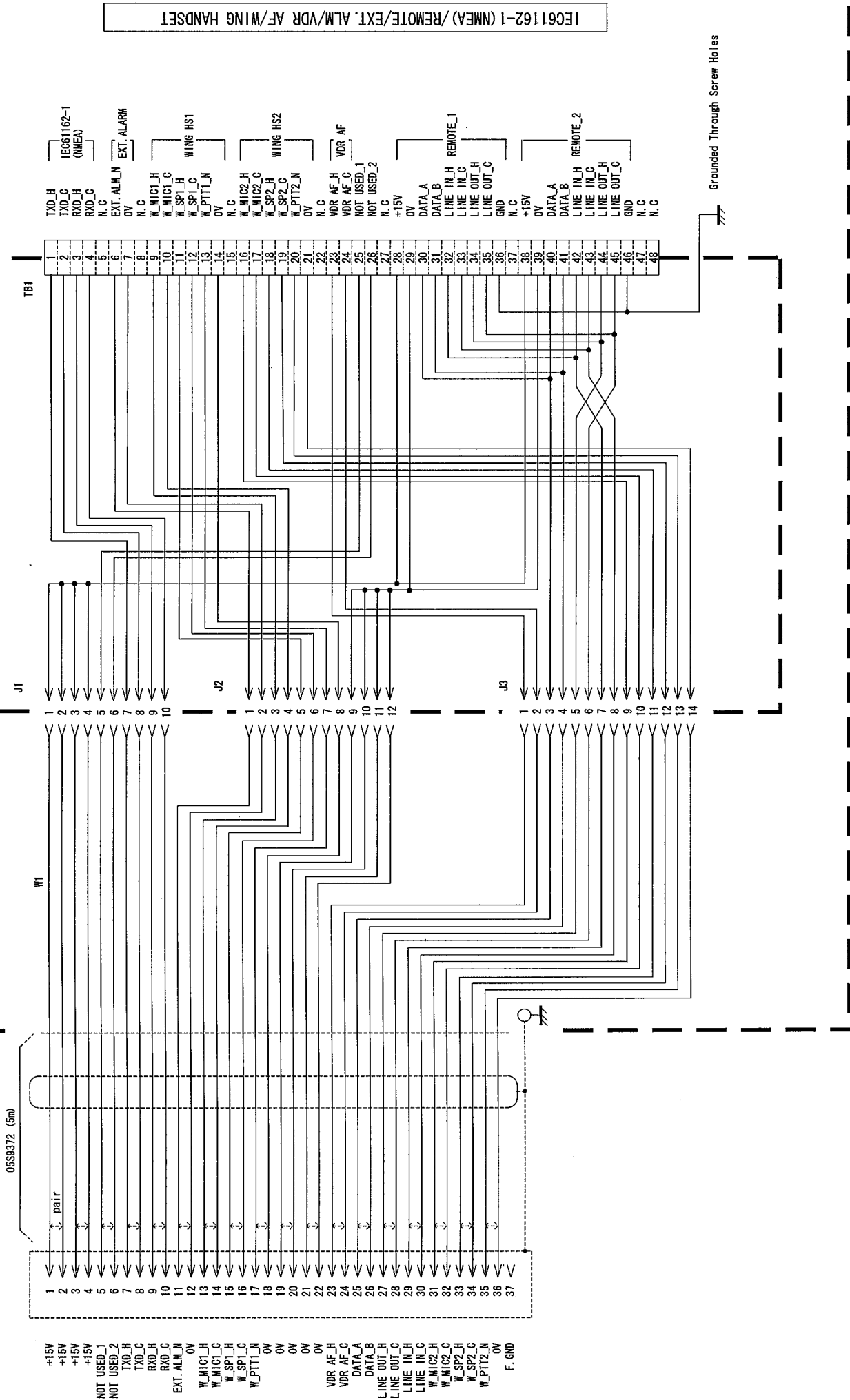
承認 APPROVED	<i>[Signature]</i>	三角法 THIRD ANGLE PROJECTION		名称 TITLE	05P0782 TB SCHEMATIC DIAGRAM
検図 CHECKED	<i>Sep. 21, '04</i> <i>H. Murakami</i>	尺度 SCALE			
製図 DRAWN	<i>Aug. 17, '04</i> <i>M. Takase</i>	質量 MASS	kg	図番 DWG.NO.	05-001-4469-0





B01 CHASSIS

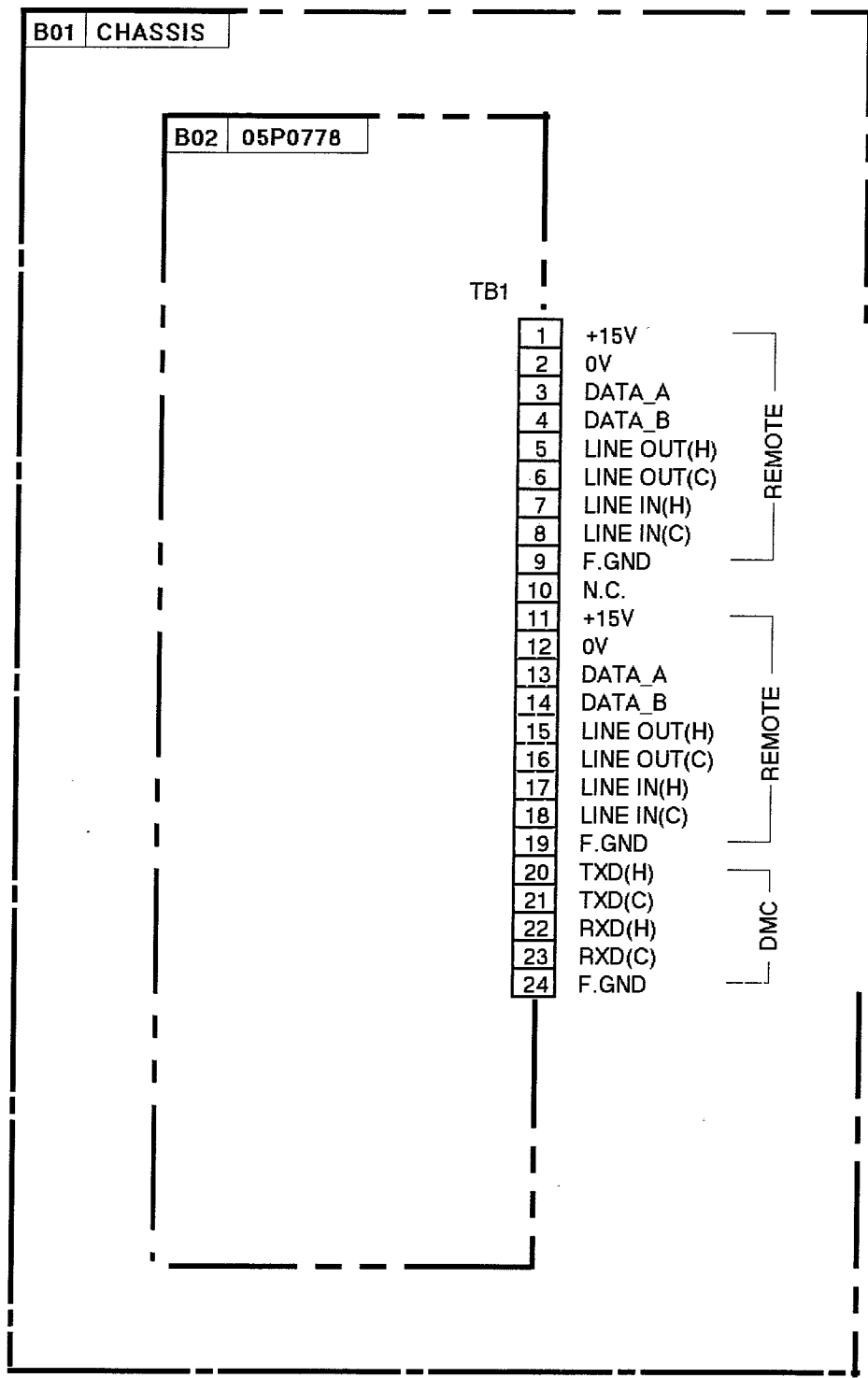
B02 JUNCTION 05P0790



FM-8800S/FM-8800D

承認 APPROVED	尺法 THIRD ANGLE PROJECTION	名称 TITLE
検図 CHECKED	尺度 SCALE	FM-8800S/FM-8800D RADIO TELEPHONE UNIT
製図 DRAWN	質量 MASS	IF-8810 JUNCTION BOX
	kg	GENERAL SCHEMATIC DIAGRAM
		図番 DWG. NO.
		05 - 001 - 3953 - 0

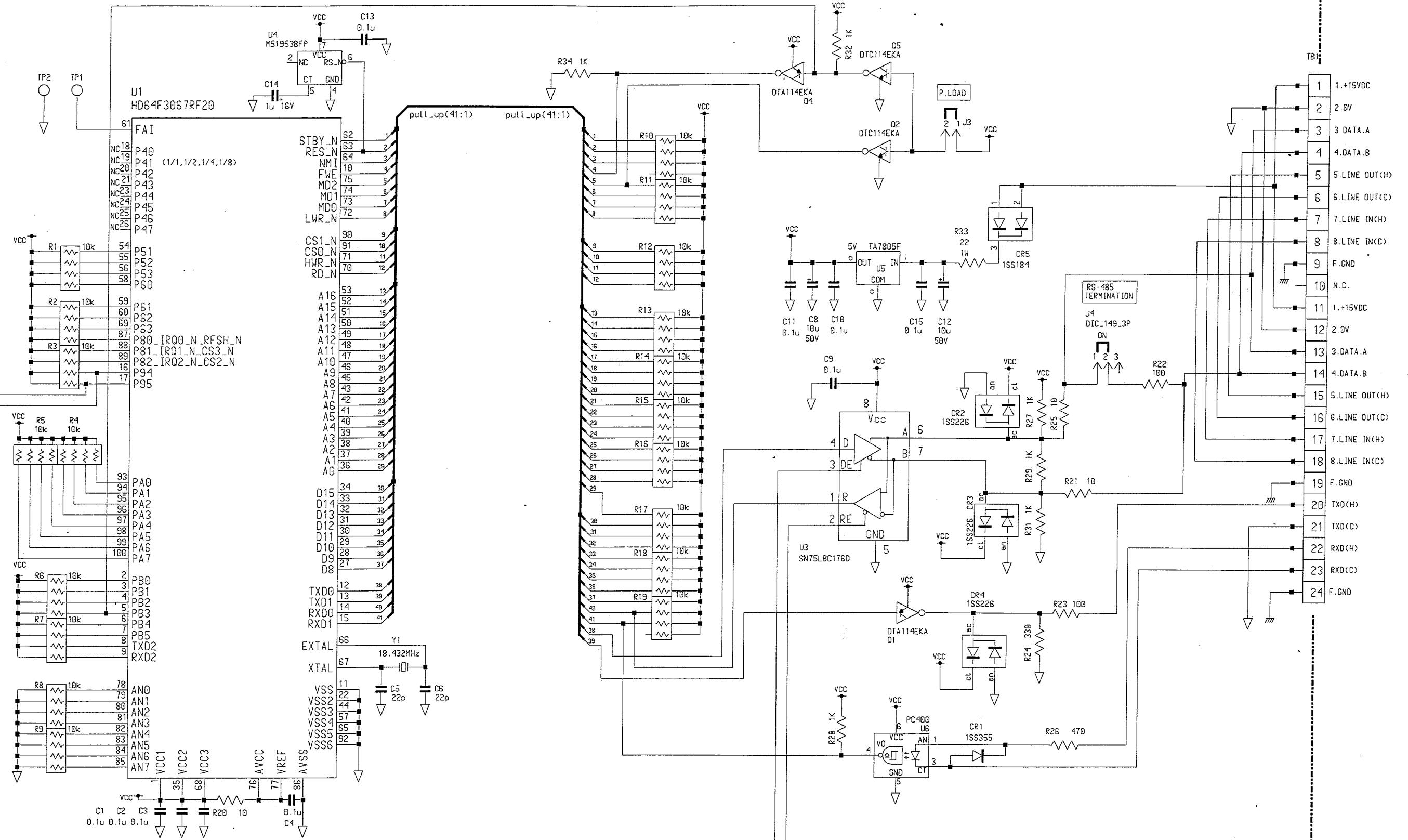
FURUNO ELECTRIC CO., LTD.



承認 APPROVED	<i>K.J. 9/22/04</i>	三角法 THIRD ANGLE PROJECTION		名称 TITLE	DMC INTERFACE IF-8820 GENERAL SCHEMATIC DIAGRAM
検図 CHECKED	<i>Sep. 21. '04 H. Murakami</i>	尺度 SCALE		図番 DWG.NO.	05-001-4472-0
製図 DRAWN	<i>Sep. 15. '04 M. Takase</i>	質量 MASS	kg		

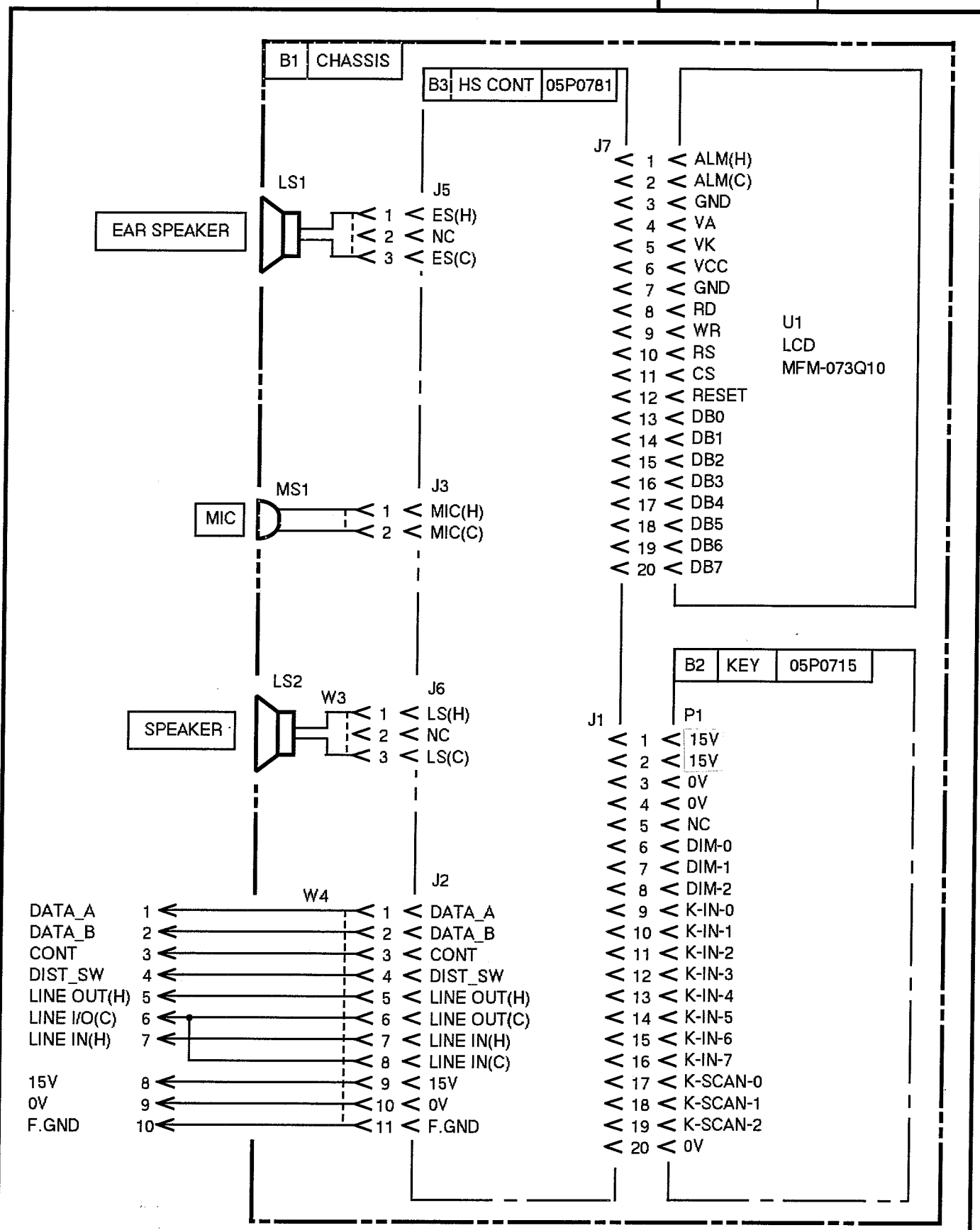


DMC IF 05P0778



△	x				
△	x				
△	x				
△	x				
△	x				
△	x				
MARK	DATE	REMARKS	REV-BY	APPRV	

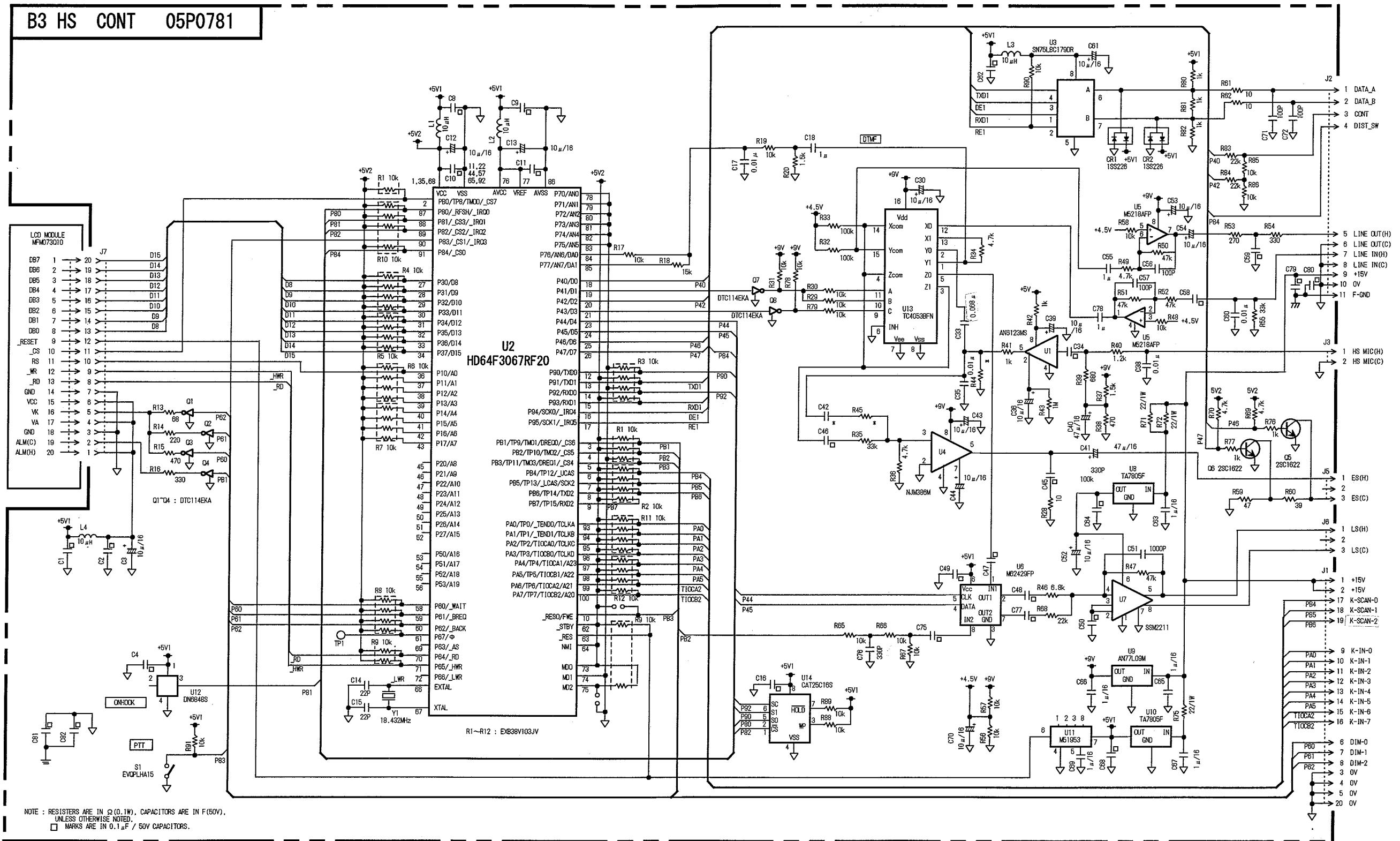
M	D	L	CODE No.					SHEET No.	1/1
			ITEM No.						
APPRV	CHCKD	DSIGND	DRAWN	TITLE	DMC IF 05P0778				
<i>R.J.</i>	Sep. 21. '04	Sep. 16. '04	Sep. 13. '04	-LE					
9/21/04 M. Marukawa				M. Takase		M. Takase		DWG No. 05-001-3960-0	



承認 APPROVED	<i>[Signature]</i>	三角法 THIRD ANGLE PROJECTION		名称 TITLE	HANDSET HS-8800 GENERAL SCHEMATIC DIAGRAM
検図 CHECKED	<i>Sep. 21. '04 H. Murakami</i>	尺度 SCALE		図番 DWG.NO.	05-001-4466-0
製図 DRAWN	<i>Sep. 15. '04 M. Takase</i>	質量 MASS	kg		



B3 HS CONT 05P0781



承認 APPROVED	<i>76.7 9/2/04</i>	三角法 THIRD ANGLE PROJECTION	名称 TITLE	HS CONT 05P0781 SCHEMATIC DIAGRAM
検図 CHECKED	<i>Sep. 21. '04</i>	尺度 SCALE	図番 DWG.NO.	05-001-3959-0
製図 DRAWN	<i>Sep. 16. '04</i>	質量 MASS		
	<i>M. Takase</i>	kg		

