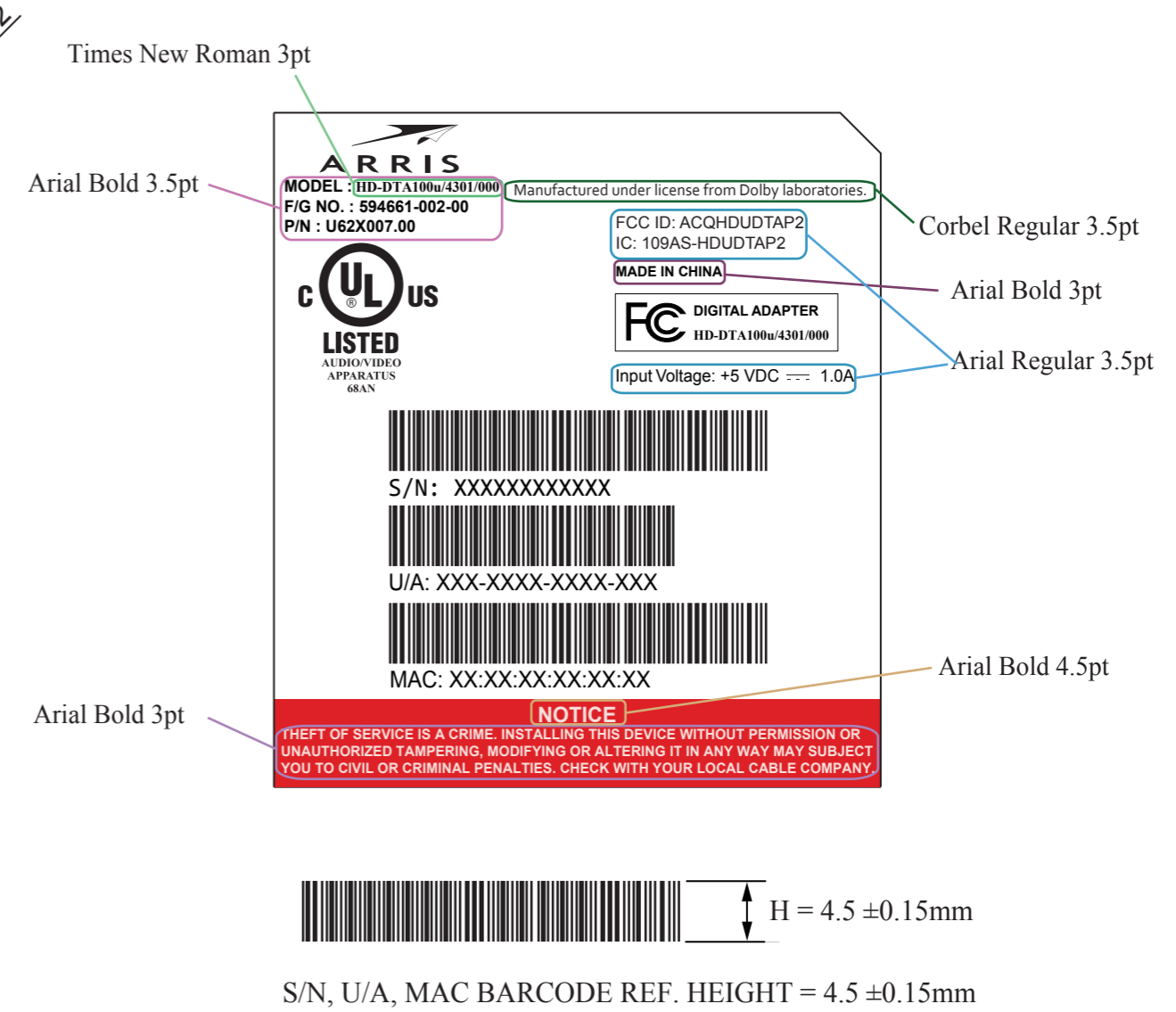
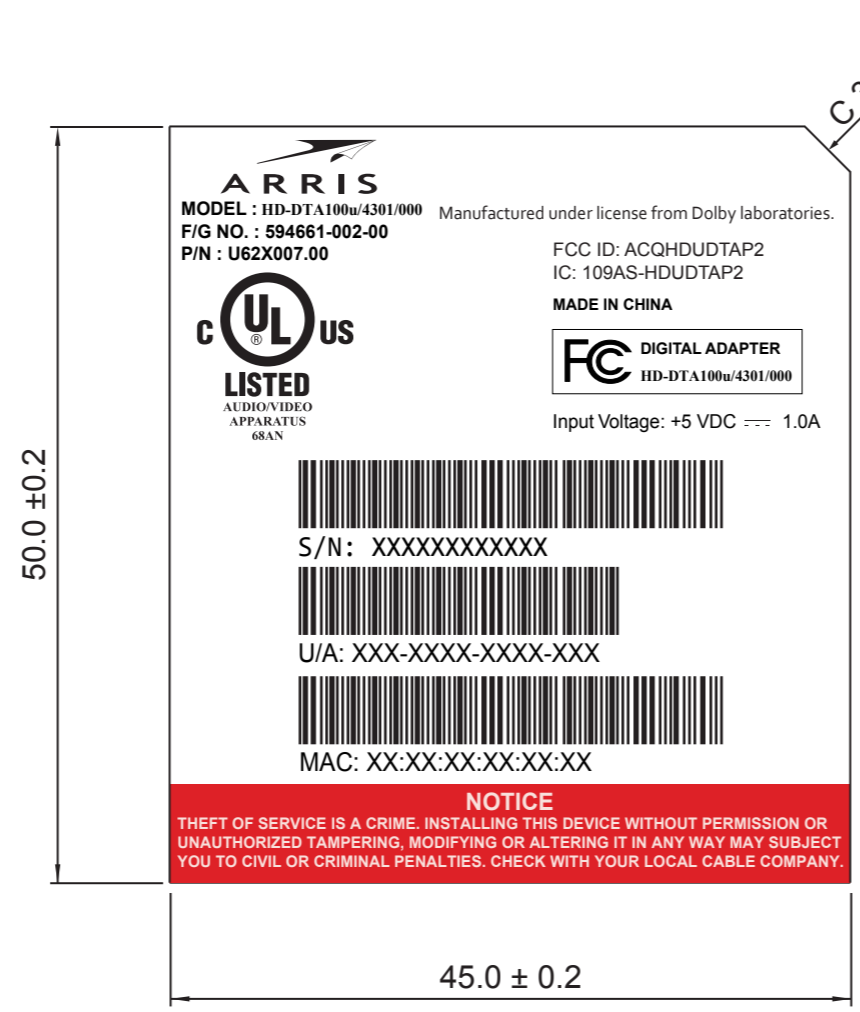
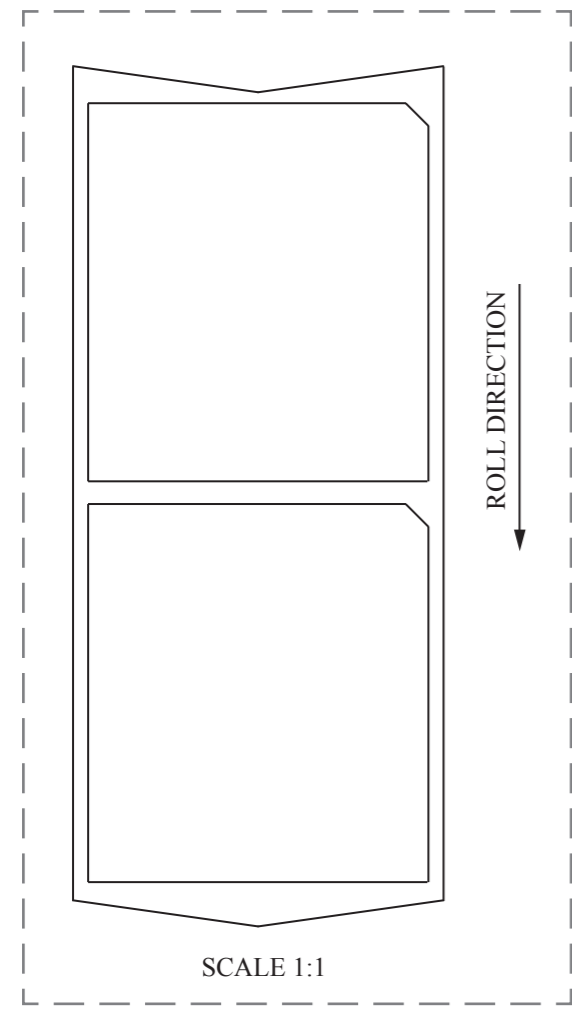


NOTES:

1. MATERIAL:FLEXCON 21940/21944E(SEE TAB 1)
2. PRINTING METHOD:LETTERPRESS PRINTING
PRINTING COLOR:RED PER PMS 185C,BLACK PER PMS BLACK C
3. PRIOR TO PART QUALIFICATION,SUPPLIER MUST PROVIDE ALL REQUIRED INFORMATION TO MEET THE APPROPRIATE ACCEPTANCE CRITERIA IN ACCORDANCE WITH ENVIRONMENTAL REGULATIONS FOR BANNED AND CONTROLLED SUBSTANCES AS OUTLINED IN THE ARRIS CORPORATE SUPPLY AGREEMENT AND PUCHASE ORDER TERMS AND CONDITIONS.
12G13933E15 ARRIS GLOBAL PACKAGING,ENVIRONMENTAL REQUIREMENTS DOCUMENT.
4. FOR NEXT ASSEMBLY AND USED ON APPLICATION, REFER TO LATEST APPROPRIATE ARRIS DATA BASE.

REVISION HISTORY - ALL SHEETS ARE THE SAME REVISION STATUS			
REV	ZONE	DESCRIPTION	ECN MEMO
1		FIRST RELEASE	24 JUN 2014 EVA HUANG
2		ADD "P2" TO FCC ID AND IC NUMBERS	10 DEC 2014 MORRIS LIN



METERIAL MAKER	Flexcon
MODEL NO	21940/21944E
SURFACE MATERIAL THICKNESS (mm)	0.05 ± 10%
ADHSIVE NO	Arcylic
ADHSIVE THICKNESS (mm)	0.02
TOTAL THICKNESS (mm)	0.07 ± 10%

TAB 1

ARRIS CONFIDENTIAL PROPRIETARY
COPYRIGHT 2013 ARRIS GROUP, INC.
INFORMATION CONTAINED ON ALL SHEETS OF THIS PRINT CANNOT BE REPRODUCED OR USED, IN WHOLE OR IN PART, WITHOUT THE CONSENT OF ARRIS. THIS NOTICE DOES NOT IMPLY PUBLICATION.

DESIGNED BY
DRAWN BY
APPROVED BY

THIRD ANGLE PROJECTION

ARRIS ARRIS GROUP, INC.

TITLE
PRODUCT LABEL, ASSY
HD-DTA100u-P2, TWC

SIZE	CAGE CODE	DRAWING NUMBER	REV
A3	N/A	N/A	2

SCALE 2/1 PROD ID^{HD-DTA100u-P2} SHEET 1 OF 1

6

5

4

3

2

1

D

D

C

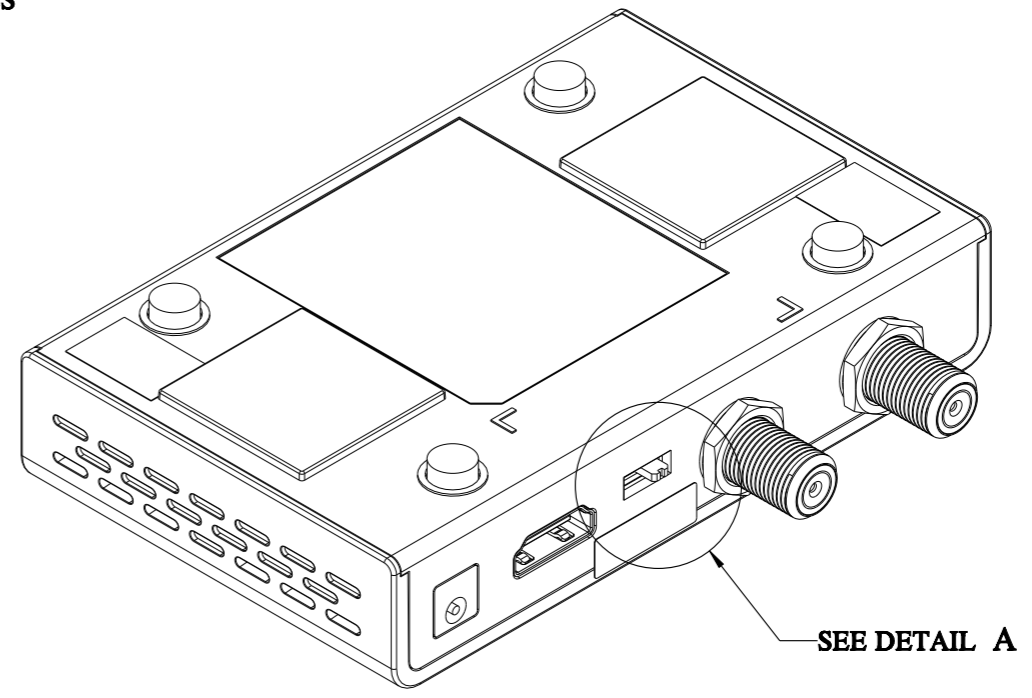
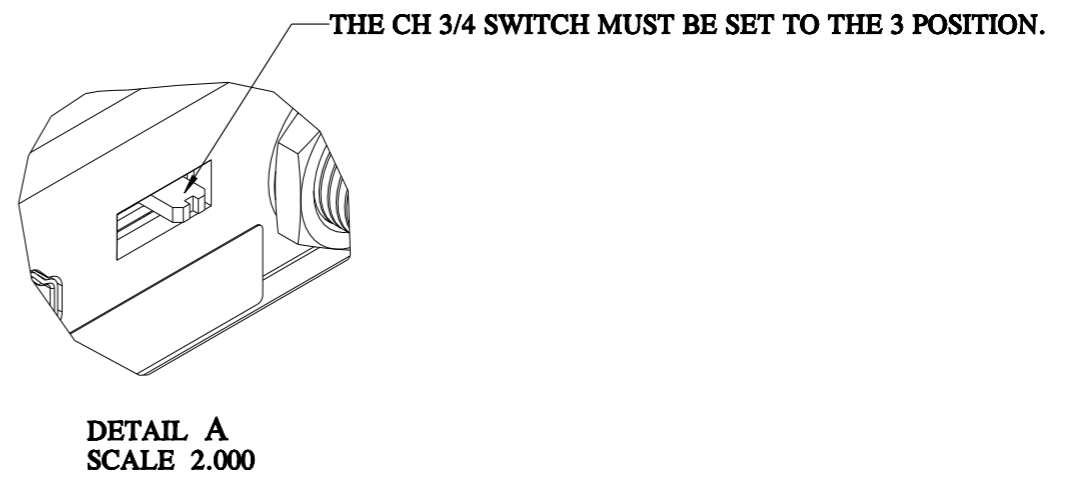
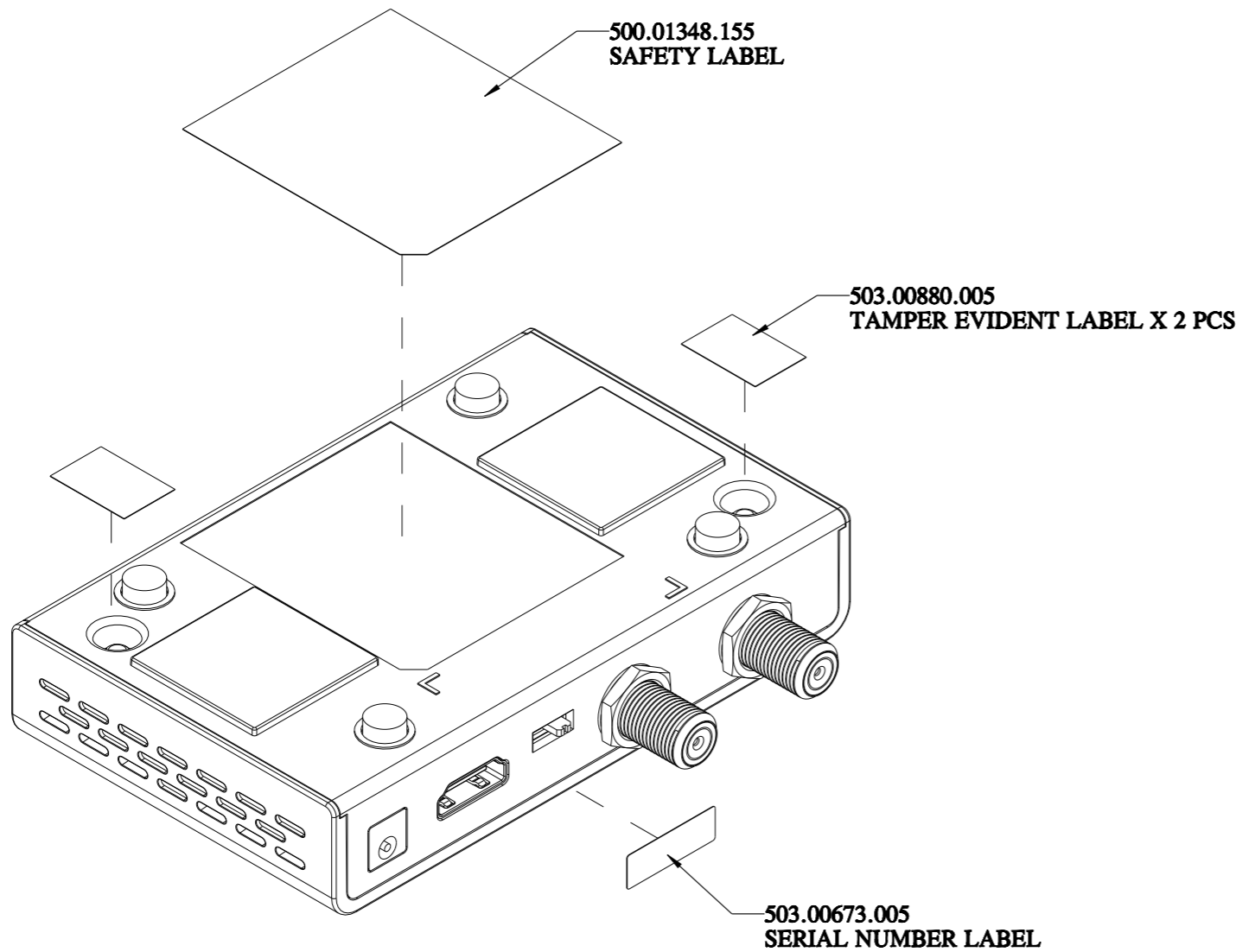
C

B

B

A

A



REFER TO SHEET 1 OF THIS PRINT FOR PART NUMBER STATUS, REVISION HISTORY, COPYRIGHT NOTICE, AND FULL TITLE BLOCK INFORMATION.	SIZE	CAGE CODE	DRAWING NUMBER	REV
	A3		594661-002-00	00
	SCALE	NA	PROD ID	SHEET 3 OF 3

COMPUTER GENERATED PRINT
DO NOT SCALE
DO NOT REVISE MANUALLY

6

4

3

2

1