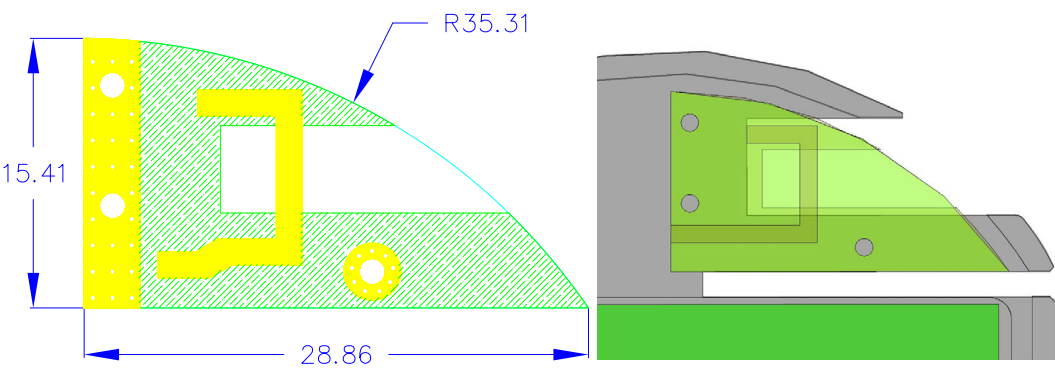


# P1 Aladdin Antenna Simulation Results



**Simulated Performance**  
**Overall Antenna Gain = ~3.1 dBi**  
**Ave. Gain in X-Y Plane = 65%**  
**Efficiency = 97%**  
**Return Loss > 30 dB**

Aladdin Antenna Gain - Final Release P1 - 8/5/08

