

SAFETY AND COMPLIANCE

WARNING: TO PREVENT FIRE OR SHOCK HAZARD, DO NOT EXPOSE THIS PRODUCT TO RAIN OR MOISTURE. THE UNIT MUST NOT BE EXPOSED TO DRIPPING OR SPLASHING. DO NOT PLACE OBJECTS FILLED WITH LIQUIDS, SUCH AS VASES, ON THE UNIT.

CAUTION: TO ENSURE REGULATORY COMPLIANCE, USE ONLY THE PROVIDED POWER AND INTERFACE CABLES.

CAUTION: DO NOT OPEN THE UNIT. DO NOT PERFORM ANY SERVICING OTHER THAN THAT CONTAINED IN THE INSTALLATION AND TROUBLESHOOTING INSTRUCTIONS. REFER ALL SERVICING TO QUALIFIED SERVICE PERSONNEL.

This device must be installed and used in strict accordance with the manufacturer's instructions as described in the user documentation that comes with the product. Modifications not approved by Motorola may void the user's authority to operate the device.

Postpone Wireless Access Point installation until there is no risk of thunderstorm or lightning activity in the area.

Do not overload outlets or extension cords, as this can result in a risk of fire or electric shock. Overloaded AC outlets, extension cords, frayed power cords, damaged or cracked wire insulation, and broken plugs are dangerous. They may result in a shock or fire hazard.

Route power supply cords so that they are not likely to be walked on or pinched by items placed upon or against them. Pay particular attention to cords where they are attached to plugs and convenience receptacles, and examine the point where they exit from the product.

Place this equipment in a location that is close enough to an electrical outlet to accommodate the length of the power cord.

Place this equipment on a stable surface.

When using this device, basic safety precautions should always be followed to reduce the risk of fire, electric shock and injury to persons, including the following:

- Read all of the instructions before you operate this equipment. Give particular attention to all safety precautions. Retain the instructions for future reference.
- Comply with all warning and caution statements in the instructions. Observe all warning and caution symbols that are affixed to this equipment.
- Comply with all instructions that accompany this equipment.
- Avoid using this product during an electrical storm. There may be a risk of electric shock from lightning. For added protection for this product during a lightning storm, or when it is left unattended and unused for long periods of time, unplug it from the wall outlet, and disconnect the cable system. This will prevent damage to the product due to lightning and power surges.
- Operate this product only from the type of power source indicated on the product's marking label. If you are not sure of the type of power supplied to your home, consult your dealer or local power company.
- Upon completion of any service or repairs to this product, ask the service technician to perform safety checks to determine that the product is in safe operating condition.

It is recommended that the customer install an AC surge protector in the AC outlet to which this device is connected. This is to avoid damaging the equipment by local lightning strikes and other electrical surges.

Different types of cord sets may be used for connections to the main supply circuit. Use only a main line cord that complies with all applicable product safety requirements of the country of use.

Installation of this product must be in accordance with national wiring codes.

Place unit to allow for easy access when disconnecting the power cord/adaptor of the device from the AC wall outlet.

Wipe the unit with a clean, dry cloth. Never use cleaning fluid or similar chemicals. Do not spray cleaners directly on the unit or use forced air to remove dust.

This product was qualified under test conditions that included the use of the supplied cables between system components. To be in compliance with regulations, the user must use these cables and install them properly. Connect the unit to a grounding type AC wall outlet using the power adapter supplied with the unit.

Do not cover the device, or block the airflow to the device with any other objects. Keep the device away from excessive heat and humidity and keep the device free from vibration and dust.

Installation must at all times conform to local regulations.

FCC COMPLIANCE CLASS B DIGITAL DEVICE

This equipment has been tested and found to comply with the limits for a Class B digital device, pursuant to Part 15 of the FCC Rules. These limits are designed to provide reasonable protection against harmful interference in a residential installation. This equipment generates, uses and can radiate radio frequency energy and, if not installed and used in accordance with the instructions, may cause harmful interference to radio communications. However, there is no guarantee that interference will not occur in a particular installation. If this equipment does cause harmful interference to radio or television reception, which can be determined by turning the equipment off and on, the user is encouraged to try to correct the interference by one of the following measures:

- Increase the separation between the equipment and receiver.
- Connect the equipment into an outlet on a circuit different from that to which the receiver is connected.
- Consult the dealer or an experienced radio/TV technician for help.

CAUTION: Changes or modifications not expressly approved by Motorola for compliance could void the user's authority to operate the equipment.

For operation within 5.15 ~5.25GHz /5.25 ~5.35GHz/5.47 ~5.725GHz frequency range, it is restricted to indoor environment. The band from 5600-5650MHz will be disabled by the software during the manufacturing and cannot be changed by the end user. This device meets all the other requirements specified in Part 15E, Section 15.407 of the FCC Rules.

IMPORTANT NOTE:

FCC Radiation Exposure Statement:

This equipment complies with FCC radiation exposure limits set forth for an uncontrolled environment. This equipment should be installed and operated with minimum distance 20cm between the radiator and your body.

This transmitter must not be co-located or operating in conjunction with any other antenna or transmitter.

Firmware setting is not accessible by the end user.

FCC DECLARATION OF CONFORMITY

Motorola, Inc., Broadband Communications Sector, 101 Tournament Drive, Horsham, PA 19044, 1-215-323-1000, declares under sole responsibility that the VAP2500 complies with 47 CFR Parts 2 and 15 of the FCC Rules as Class B digital devices. These devices comply with Part 15 of FCC Rules. Operation of these devices is subject to the following two conditions: (1) These devices may not cause harmful interference, and (2) these devices must accept any interference that may cause undesired operation.

WIRELESS LAN INFORMATION

The VAP2500 products are wireless network products that use Orthogonal frequency-division multiplexing (OFDM) radio technology. These products are designed to be inter-operable with any other wireless OFDM type product that complies with:

- The IEEE 802.11 Standard on Wireless LANs (Revision A and Revision N), as defined and approved by the Institute of Electrical Electronics Engineers.
- The Wireless Fidelity (WiFi) certification as defined by the Wi-Fi Alliance.

WIRELESS LAN AND YOUR HEALTH

The VAP2500, like other radio devices, emit radio frequency electromagnetic energy, but operate within the guidelines found in radio frequency safety standards and recommendations.

RESTRICTIONS ON USE OF WIRELESS DEVICES

In some situations or environments, the use of wireless devices may be restricted by the proprietor of the building or responsible representatives of the organization. For example, using wireless equipment in any environment where the risk of interference to other devices or services is perceived or identified as harmful.

If you are uncertain of the applicable policy for the use of wireless equipment in a specific organization or environment, you are encouraged to ask for authorization to use the device prior to turning on the equipment.

The manufacturer is not responsible for any radio or television interference caused by unauthorized modification of the devices included with this product, or the substitution or attachment of connecting cables and equipment other than specified by the manufacturer. Correction of interference caused by such unauthorized modification, substitution, or attachment is the responsibility of the user.

The manufacturer and its authorized resellers or distributors are not liable for any damage or violation of government regulations that may arise from failing to comply with these guidelines.

FCC CERTIFICATION

The VAP2500 contains a radio transmitter and accordingly have been certified as compliant with 47 CFR Part 15 of the FCC Rules for intentional radiators. Products that contain a radio transmitter are labeled with FCC ID and the FCC logo.



VAP2500

Wireless Access Point

Quick Start Guide



www.motorola.com

MOTOROLA and the Stylized M logo are trademarks or registered trademarks of Motorola Trademark Holdings, LLC. All other product or service names are the property of their respective owners. ©2012 Motorola Mobility LLC. All rights reserved.

No part of this publication may be reproduced in any form or by any means or used to make any derivative work (such as translation, transformation, or adaptation) without written permission from Motorola Mobility LLC. Motorola reserves the right to revise this publication and to make changes in content from time to time without obligation on the part of Motorola to provide notification of such revision or change. Motorola provides this guide without warranty of any kind, implied or expressed, including, but not limited to, the implied warranties of merchantability and fitness for a particular purpose. Motorola may make improvements or changes in the product(s) described in this manual at any time.

588457-001-a 07/12

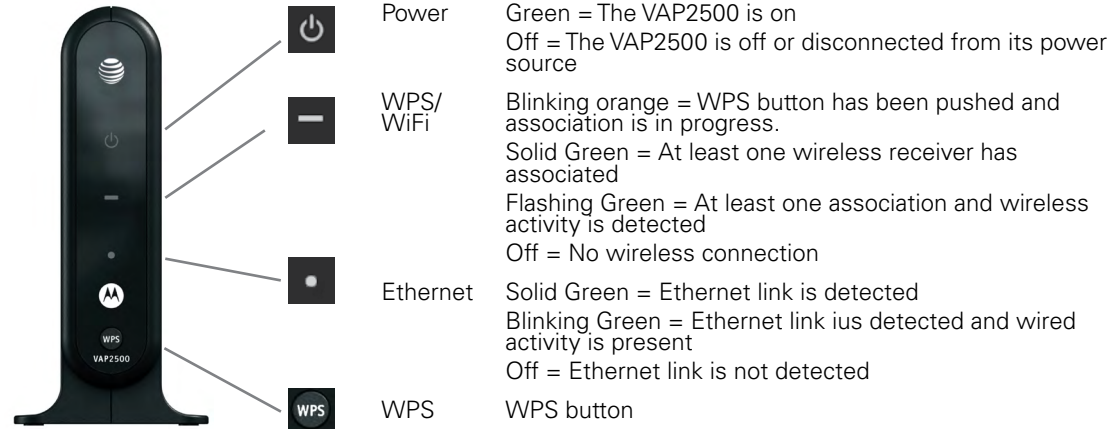


INSTALLATION

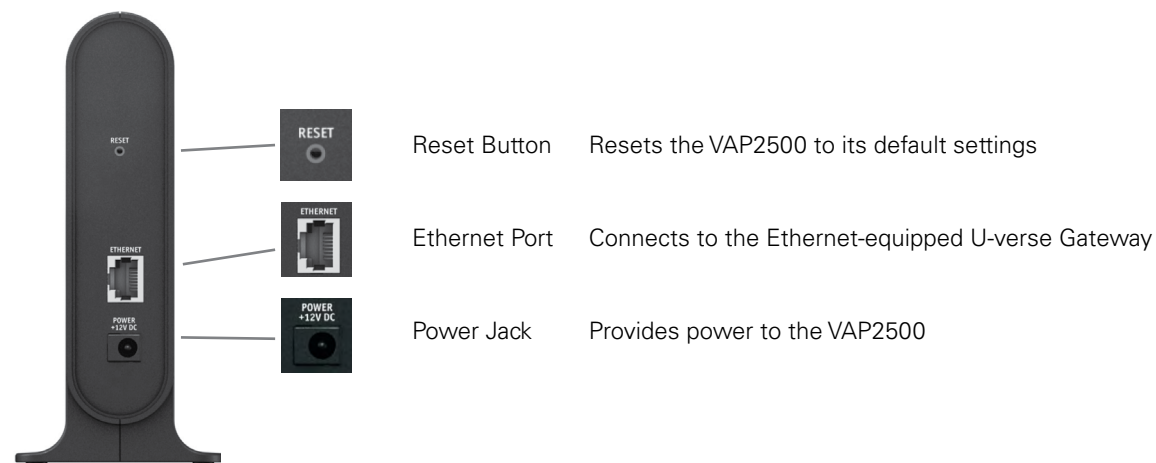
The VAP2500 enables you to transmit multiple standard- and high-definition video streams throughout your home wirelessly. You can enjoy a full range of video services and applications without having to run wires, lay cables, or drill holes. The VAP2500 uses one-button, Wi-Fi Protected Setup (WPS) technology to ensure easy, reliable installation.

The U-verse Wireless TV operates works in conjunction with the U-Verse Receiver (client) as a **Wireless Access Point**.

FRONT PANEL



REAR PANEL



Install the Wireless Access Point

1. The VAP2500 Wireless Access Point is capable of transmitting separate programming streams to as many as five client devices (U-verse Receivers). The Wireless Access Point uses Wi-Fi Protected Setup (WPS) protocols to identify, authorize and manage traffic to and from its clients. Register the TV Receiver with the Wireless Access Point Before your TV Receiver can receive any programming, it must be registered as an authorized device with the Wireless Access Point. Run the WPS procedure as follows:



2. Connect the cord from the DC Power Adapter to the POWER +12VDC connector on the rear of the U-verse Receiver, and plug the adapter into an AC wall socket, and then connect the U-verse Receiver to your TV set.
3. Press the POWER button on the front of the U-verse Receiver; the button lights green to indicate power is applied. Ensure power is applied to your TV, as well.
4. Ensure that the VAP2500 is connected to your home gateway device, and that power is applied to it.

Interfacing with the U-verse Receiver

5. Wait 60 seconds after powering the Wireless Access Point, and then press and hold the WPS button on the VAP2500 for two seconds. You will then have two minutes to activate the WPS on the U-verse Receiver.
6. When the TV Receiver starts up, it will look for a signal from an Wireless Access Point. When it detects the signal, a prompt will appear on your TV screen asking if you wish to connect.
7. On the front panel of the U-verse Receiver, touch OK. An icon appears on the screen, indicating that the connection sequence is in process. When three horizontal dots appear, the connection has been successful.
8. On the front panel of the U-verse Receiver, the Link indicator lights green. You have now established a secure wireless connection between the Wireless Access Point and the Client and can begin streaming video content to your secondary set-top box or boxes.

INSTALLING ADDITIONAL U-VERSE RECEIVERS

Once you've installed your Wireless Access Point to your home gateway and established a wireless connection with your Client, you can install additional VAP2500 clients throughout your home. Follow the instructions below for each single client unit you wish to install.

1. Connect the VAP2500 to your secondary set-top box with the provided Ethernet cable. Before you connect the VAP2500, ensure your set-top box is powered on.

Note: While you are required to connect your VAP2500 to a set-top box to ensure it properly transfers video throughout your home, the VAP2500's extra Ethernet ports provide you with the option of connecting other devices to the unit as well, such as computers and gaming consoles.



2. Connect the power adapter to the VAP2500 and plug the adapter into a wall outlet. You'll see the unit's Power and Ethernet LEDs lights go on, indicating the unit is powered:
3. Wait 60 seconds after powering the VAP2500, and then press and hold the WPS button on the back of the Home Gateway Unit for two seconds. After doing so, you will have two minutes to return to the Wireless Access Point and press and hold its WPS button. Pressing the buttons on both units enables them to establish a wireless connection.
Note: See the previous instructions under Front Panel for an explanation of the LED activity.
4. After the VAP2500 establishes a wireless connection with your set-top box, the Wireless link LED lights: . When flashing green, activity is present.

TROUBLESHOOTING

Rapidly blinking WPS LED	If the LED is blinking orange, the WPS button has been pushed and association is in progress. If it is blinking green, at least one association has been made and wireless activity is present.
Cannot configure a VAP2500 unit as an Wireless Access Point	If you cannot establish one of your units as an Wireless Access Point, it may indicate that your router is not connected to your service provider's network. (The operational mode LED lights green on VAP2500 units dedicated as Wireless Access Points and amber on VAP2500 units dedicated as Clients. If you experience this problem, contact your service provider for assistance.

INSTALLING YOUR VAP2500

Follow the instructions below to install your Wireless Access Point and Client.

Step 1: Connect the Wireless Access Point

1. Connect one VAP2500 unit to your Gateway using the provided six-foot yellow Ethernet cable. Before you connect the VAP2500, ensure the Gateway is powered on.



2. Connect the power adapter to the VAP2500 and plug the adapter into a wall outlet. You'll see the unit's Power and Ethernet LEDs lights go on, indicating the unit is powered: .