

MFG PN: 599542-001-00
SET TOP BOX MODEL
DCX905/P40C/C325/0500
Platform ID: 2089 Phase 1 6



WARNING:
TO PREVENT ELECTRIC SHOCK,
DO NOT REMOVE COVER. NO USER
SERVICEABLE PARTS INSIDE. REFER
SERVICING TO QUALIFIED SERVICE
PERSONNEL.



12V 24W
FCC SET TOP BOX
DCX905
FCC ID: ACQ-DCX905

NOTICE
THEFT OF SERVICE IS A CRIME. INSTALLING THIS DEVICE WITHOUT
PERMISSION OR UNAUTHORIZED REPAIRING WITHOUT THE USE
OF THE ORIGINAL PARTS MAY SUBJECT YOU TO CIVIL OR CRIMINAL
PENALTIES. CHECK WITH YOUR LOCAL CABLE COMPANY.

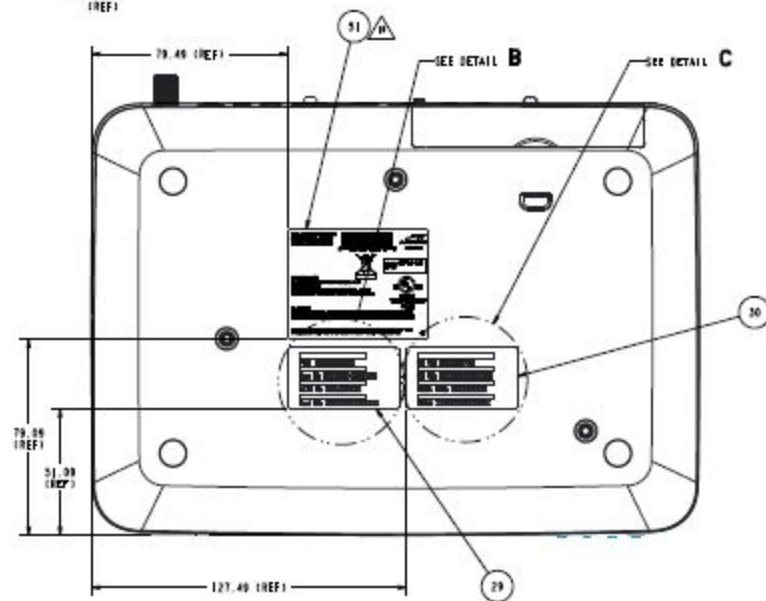
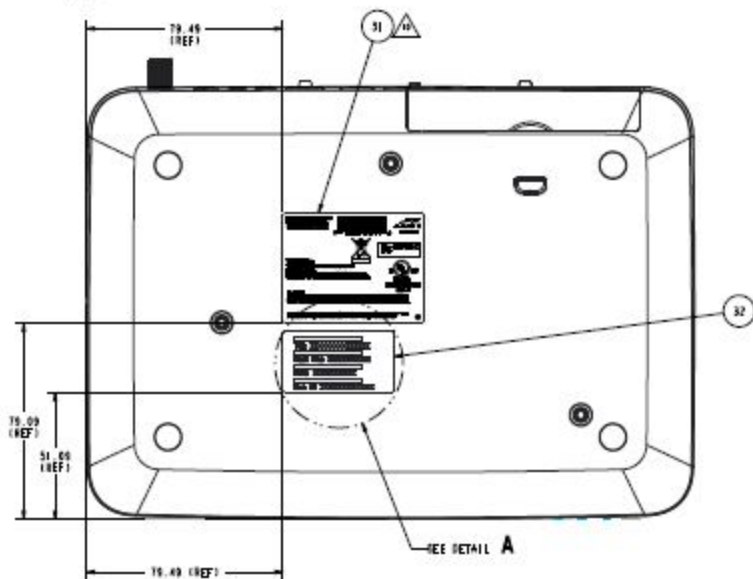
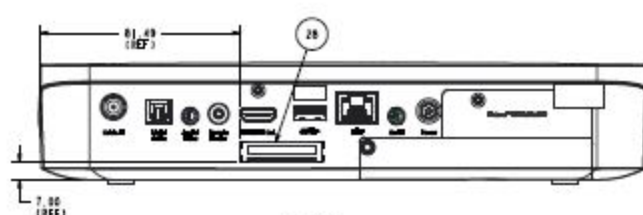
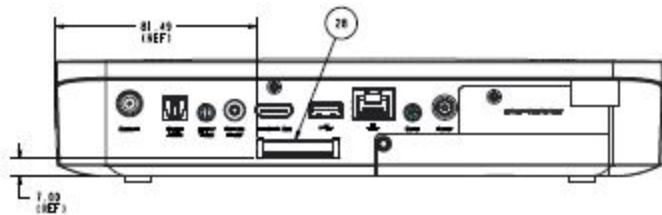


THIS DEVICE COMPLIES WITH PART 15 OF THE FCC RULES. OPERATION
IS SUBJECT TO THE FOLLOWING TWO CONDITIONS: (1) THIS DEVICE MAY
NOT CAUSE HARMFUL INTERFERENCE, AND (2) THIS DEVICE MUST ACCEPT
ANY INTERFERENCE RECEIVED, INCLUDING INTERFERENCE THAT MAY
CAUSE UNDESIRABLE OPERATION.

LISTED
VIDEO PRODUCT
68AN

Manufactured under license from Dolby Laboratories.

TSN: D6A0941D0FCC4C
MOLA: 78234E54FC99
ETHC: 78234E54FC97
Host SN: R11646TL4806

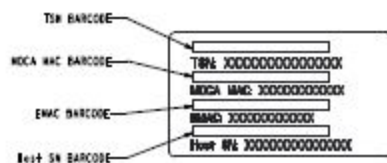


DCX905 UNIT LABEL CONFIGURATION

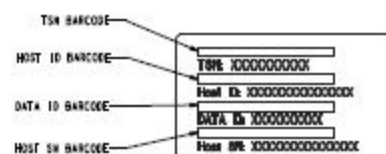
ALL CONFIGURATIONS THE SAME EXCEPT AS INDICATED IN BILL OF MATERIALS
SOME ITEMS NOT SHOWN FOR CLARITY
SCALE: 1/1

DCX900 UNIT LABEL CONFIGURATION

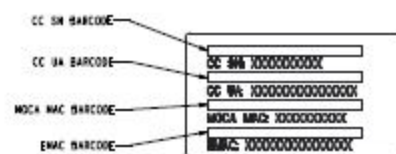
ALL CONFIGURATIONS THE SAME EXCEPT AS INDICATED IN BILL OF MATERIALS
SOME ITEMS NOT SHOWN FOR CLARITY
SCALE: 1/1



DETAIL A
SCALE: 2:1
(REFER TO 207300-212 SPECIFICATION)



DETAIL B
SCALE: 2:1
(REFER TO 207300-212 SPECIFICATION)



DETAIL C
SCALE: 2:1
(REFER TO 207300-211 SPECIFICATION)

ARIS International plc INTERNAL REFER TO SHEET 1 OF THIS PRINT FOR PART NUMBER STATUS, REVISION HISTORY, COPYRIGHT NOTICE, AND FULL TITLE BLOCK INFORMATION.	SIZE	CAGE CODE	DRAWING NUMBER	REV
	A1	N/A	522724-083	5
SCALE	1:1	PRODUCT ID: DCX905 SHEET 4 OF 5		