

MFG PN: 599184-001-00
SET-TOP BOX - MODEL
DCX900/P8C/0322/1800
Platform ID: 2088 Phase 1 6 12572 21307 0

ARRIS
MADE IN THAIWAI
12V 3.30W

WARNING:
TO PREVENT ELECTRIC SHOCK,
DO NOT REMOVE COVER. NO USER
SERVICEABLE PARTS INSIDE. REFER
SERVICING TO QUALIFIED SERVICE
PERSONNEL.

NOTICE
THEFT OF SERVICE IS A CRIME. INSTALLING THIS DEVICE WITHOUT
PERMISSION OR UNAUTHORIZED TAMPERING, MODIFYING OR
ALTERING IT IN ANY WAY MAY SUBJECT YOU TO CIVIL OR CRIMINAL
PENALTIES. CHECK WITH YOUR LOCAL CABLE COMPANY.

THIS DEVICE COMPLIES WITH PART 15 OF THE FCC RULES. OPERATION
IS SUBJECT TO THE FOLLOWING TWO CONDITIONS: (1) THIS DEVICE MAY
NOT CAUSE HARMFUL INTERFERENCE, AND (2) THIS DEVICE MUST ACCEPT
ANY INTERFERENCE RECEIVED, INCLUDING INTERFERENCE THAT MAY
CAUSE UNDESIRABLE OPERATION.

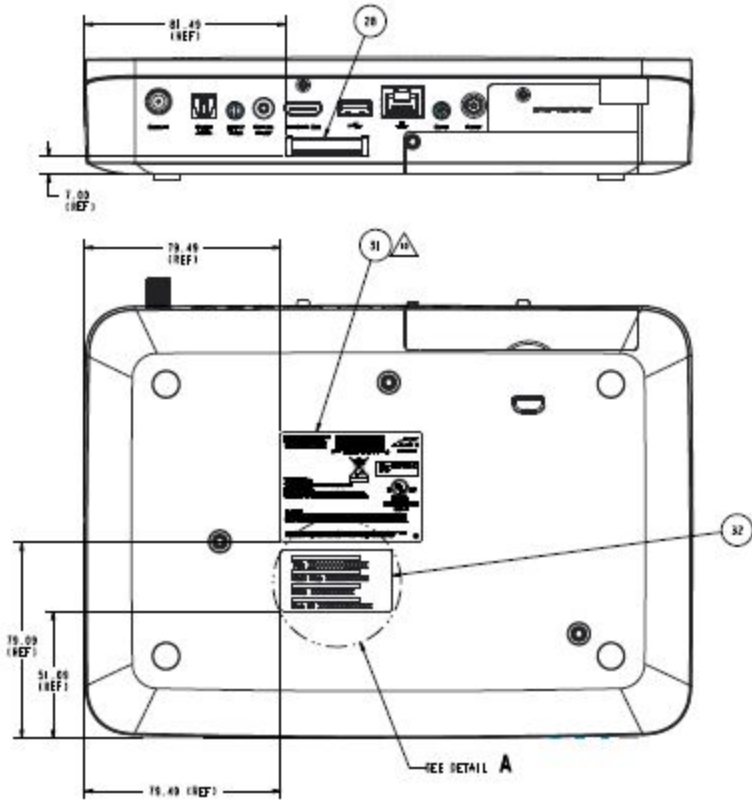
Manufactured under license from Dolby Laboratories.

FCC ID: ACQ-DCX900
IC ID: 189AS-DCX900

UL US
LISTED
VIDEO PRODUCT
68AN

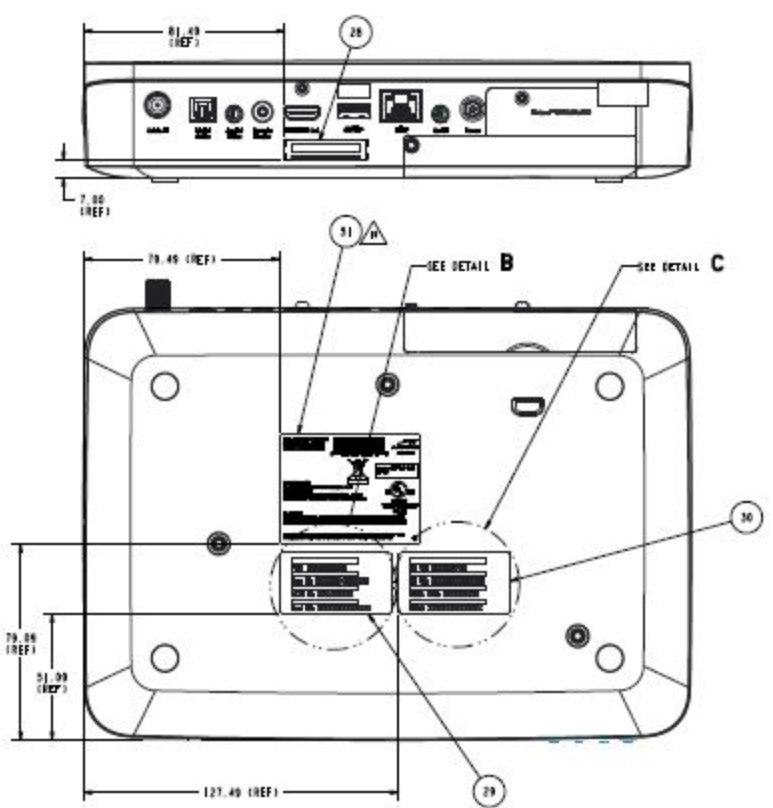
TSN: D690660BFCE9182
Host ID: 0675421151829
DATA ID: 42878164342
Host SN: 1116457D0234

CC SN: N41640ET9620
CC UA: 0000143237920173
MOCA MAC: 7823AE267CB4
EMAC: 7823AE267CB1



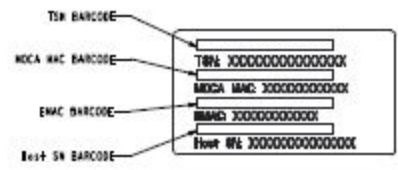
DCX905 UNIT LABEL CONFIGURATION

ALL CONFIGURATIONS THE SAME EXCEPT AS INDICATED IN BILL OF MATERIALS
SOME ITEMS NOT SHOWN FOR CLARITY
SCALE: 1:1

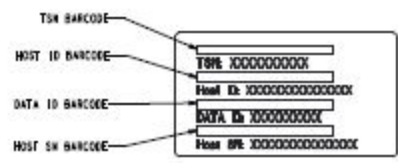


DCX900 UNIT LABEL CONFIGURATION

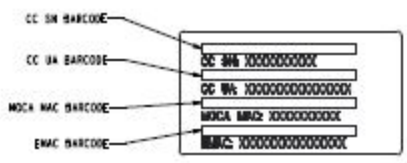
ALL CONFIGURATIONS THE SAME EXCEPT AS INDICATED IN BILL OF MATERIALS
SOME ITEMS NOT SHOWN FOR CLARITY
SCALE: 1:1



DETAIL A
SCALE: 2:1
(REFER TO 267308-212 SPECIFICATION)



DETAIL B
SCALE: 2:1
(REFER TO 267308-216 SPECIFICATION)



DETAIL C
SCALE: 2:1
(REFER TO 267308-211 SPECIFICATION)

ARRIS International plc INTERNAL	SIZE: A1	CAGE CODE: N/A	DRAWING NUMBER: 522724-083	REV: B
REFER TO SHEET 1 OF THIS PRINT FOR PART NUMBER STATUS, REVISION HISTORY, COPYRIGHT NOTICE, AND FULL TITLE BLOCK INFORMATION.	SCALE: 1:1	PRODUCT ID: DCX903	SHEET: 4 OF 5	