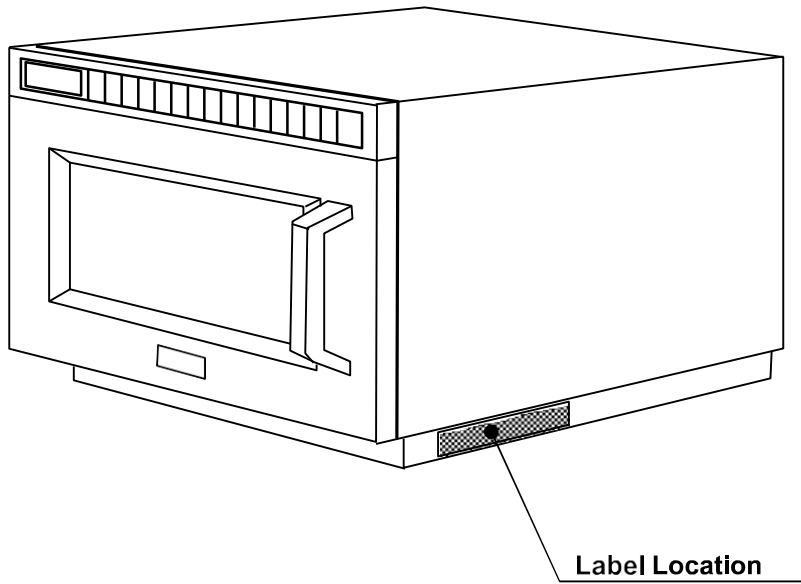


ACLAQ3F01
EXHIBIT F

SAMPLE AND LOCATION OF FCC ID LABEL



Panasonic	COMMERCIAL MICROWAVE OVEN		
MODEL NO.	SERIAL NO.	MANUFACTURED	
NE-12521	pp 00001	APRIL 2012	
120V 17.3A SINGLE PHASE 60Hz AC	FCC ID: ACLAQ3F01		
Panasonic Corporation of North America	1 Panasonic Way, Secaucus, N.J. 07094	MHP TYPE G 2	