

**ACLAQ3F01
EXHIBIT F**

SAMPLE AND LOCATION OF FCC ID LABEL

Grantee Code: ACL

Product Code: AQ3F01

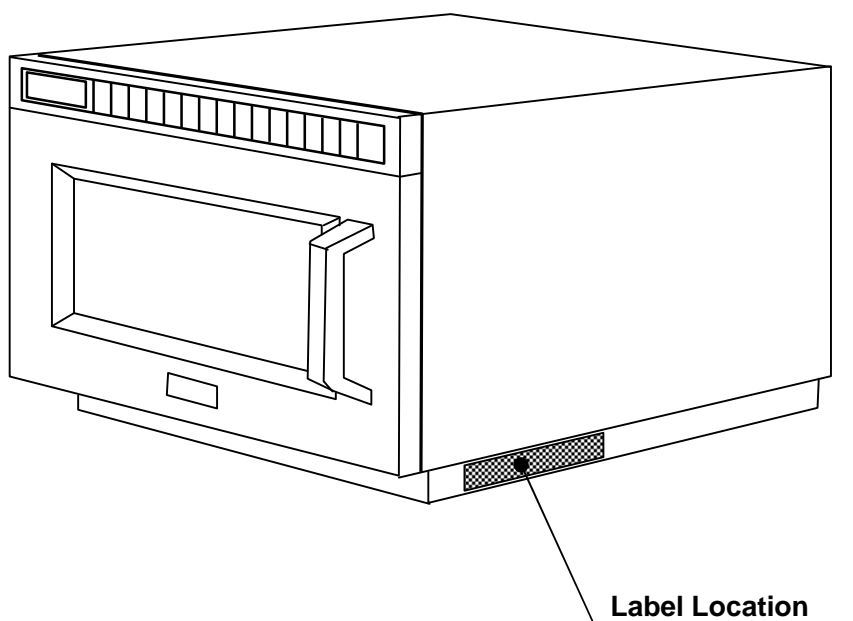
MHP: Code Identifies location of manufacture

MHP denotes:

Panasonic Corporation, Appliances Company

Kitchen Appliances Business Unit

1-5-1 Takatsukadai, Nishi-ku, Kobe-shi, Hyogo 651-2271 Japan



Panasonic	COMMERCIAL MICROWAVE OVEN		
MODEL NO. NE-12521	SERIAL NO. PP 00001	MANUFACTURED APRIL 2012	
120V 17.3A SINGLE PHASE 60Hz AC	FCC ID: MADE IN JAPAN ACLAQ3F01		
Panasonic Corporation of North America		1 Panasonic Way, Secaucus, N.J. 07094	MHP TYPE G 2