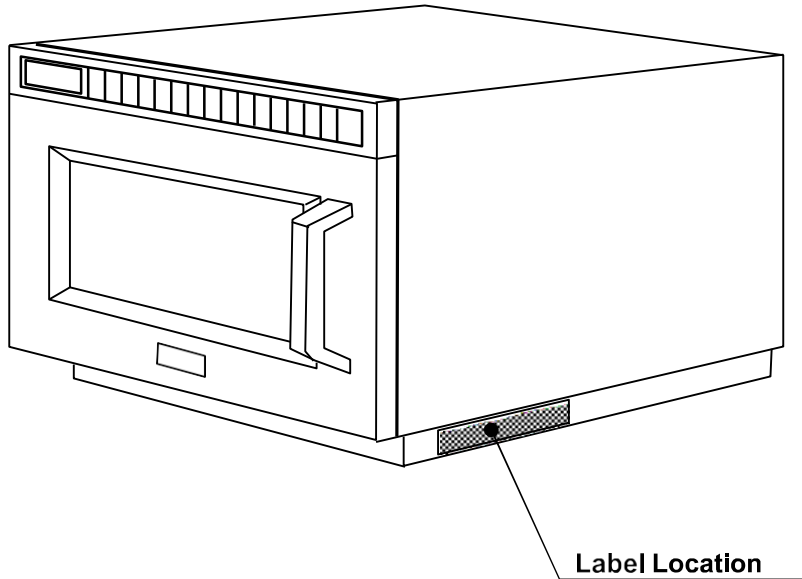




**ACLAQ3E81  
EXHIBIT F**

**SAMPLE AND LOCATION OF FCC ID LABEL**



<b>Panasonic</b>	<b>COMMERCIAL MICROWAVE OVEN</b>		
MODEL NO.	SERIAL NO. <b>pp 00001</b>	MANUFACTURED	<b>APRIL 2012</b>
<b>NE-17723</b>			
<b>208V 13.GA / 230V 12.2A SINGLE PHASE 60Hz AC</b>		FCC ID: <b>ACLAQ3E81</b>	
Panasonic Corporation of North America 1 Panasonic Way, Secaucus, N.J. 07094		MADE IN JAPAN	MHP TYPE G 2