

**ACLAQ3E81  
EXHIBIT F**

**SAMPLE AND LOCATION OF FCC ID LABEL**

**Grantee Code: ACL**

**Product Code: AQ3E81**

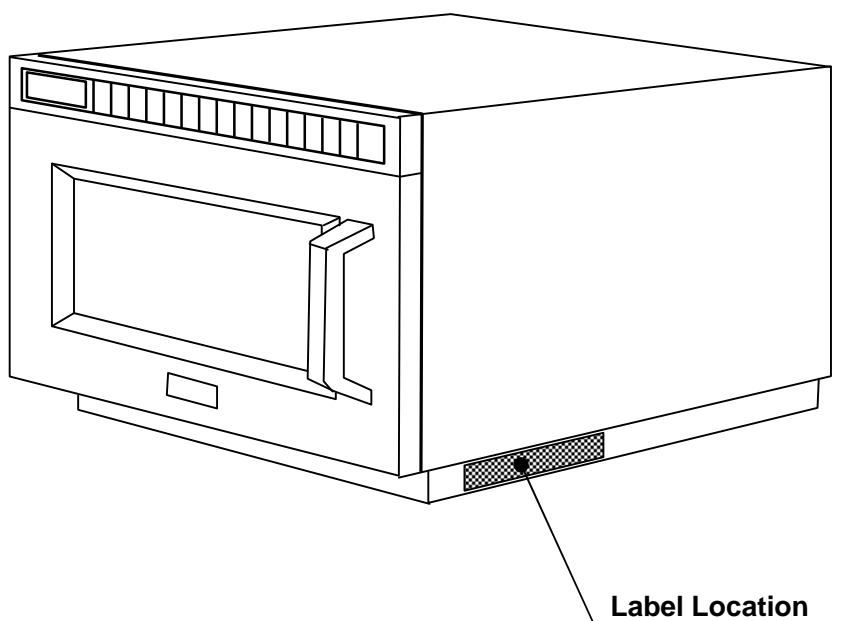
**MHP: Code Identifies location of manufacture**

MHP denotes:

Panasonic Corporation, Appliances Company

Kitchen Appliances Business Unit

1-5-1 Takatsukadai, Nishi-ku, Kobe-shi, Hyogo 651-2271 Japan



<b>Panasonic</b>	<b>COMMERCIAL MICROWAVE OVEN</b>		
MODEL NO.	SERIAL NO. <b>PP 00001</b>	MANUFACTURED <b>APRIL 2012</b>	
<b>NE-17723</b>	FCC ID: <b>ACLAQ3E81</b>		
208V 13.6A / 230V 12.2A SINGLE PHASE 60Hz AC		MADE IN JAPAN	
Panasonic Corporation of North America   1 Panasonic Way, Secaucus, N.J. 07094		MHP	TYPE G 2