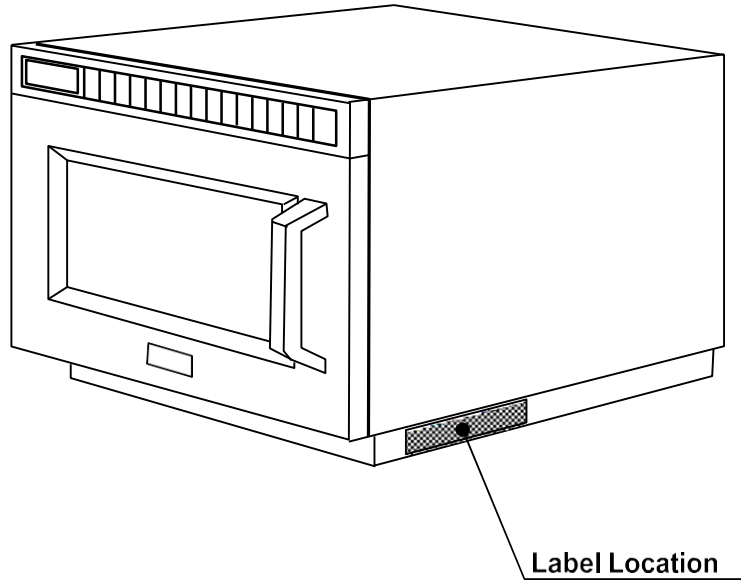


ACLAQ3E61  
EXHIBIT F

SAMPLE AND LOCATION OF FCC ID LABEL



<b>Panasonic</b>	<b>COMMERCIAL MICROWAVE OVEN</b>		
MODEL NO.	SERIAL NO. <b>pp 00001</b>	MANUFACTURED	<b>APRIL 2012</b>
<b>NE-21521</b>		FCC ID:	<b>ACLAQ3E61</b>
208V 16.3A / 230V 13.9A SINGLE PHASE 60Hz AC		MADE IN JAPAN	
Panasonic Corporation of North America   1 Panasonic Way, Secaucus, N.J. 07094		MHP	TYPE G 2

