

**ACLAQ3E61  
EXHIBIT F**

**SAMPLE AND LOCATION OF FCC ID LABEL**

**Grantee Code: ACL**

**Product Code: AQ3E61**

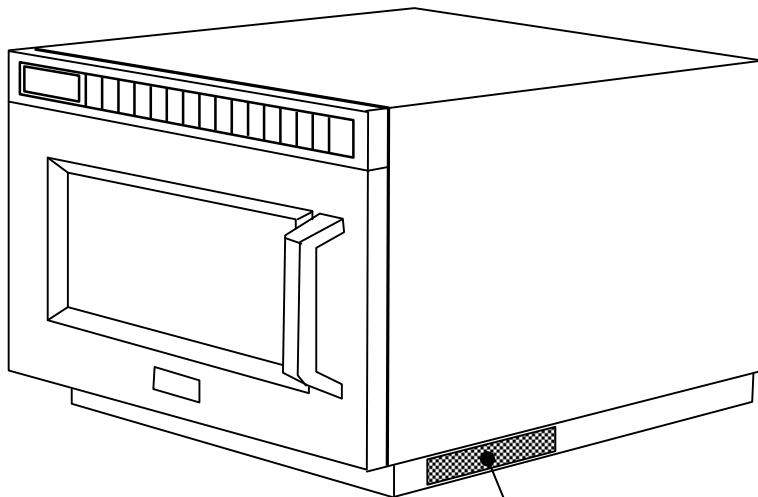
**MHP: Code Identifies location of manufacture**

MHP denotes:



Panasonic Corporation, Appliances Company

Kitchen Appliances Business Unit

1-5-1 Takatsukadai, Nishi-ku, Kobe-shi, Hyogo 651-2271 Japan



**Label Location**

<b>Panasonic</b>	<b>COMMERCIAL MICROWAVE OVEN</b>		
MODEL NO. <b>NE-21521</b>	SERIAL NO. <b>PP 00001</b>	MANUFACTURED <b>APRIL 2012</b>	
208V 16.3A / 230V 13.9A SINGLE PHASE 60Hz AC		FCC ID: MADE IN JAPAN <b>ACLAQ3E61</b>	
Panasonic Corporation of North America 1 Panasonic Way, Secaucus, N.J. 07094		MHP	TYPE G 2