

## 5.0 TEST EUT SETUP AND CONFIGURATIONS

### 5.1 Radiated

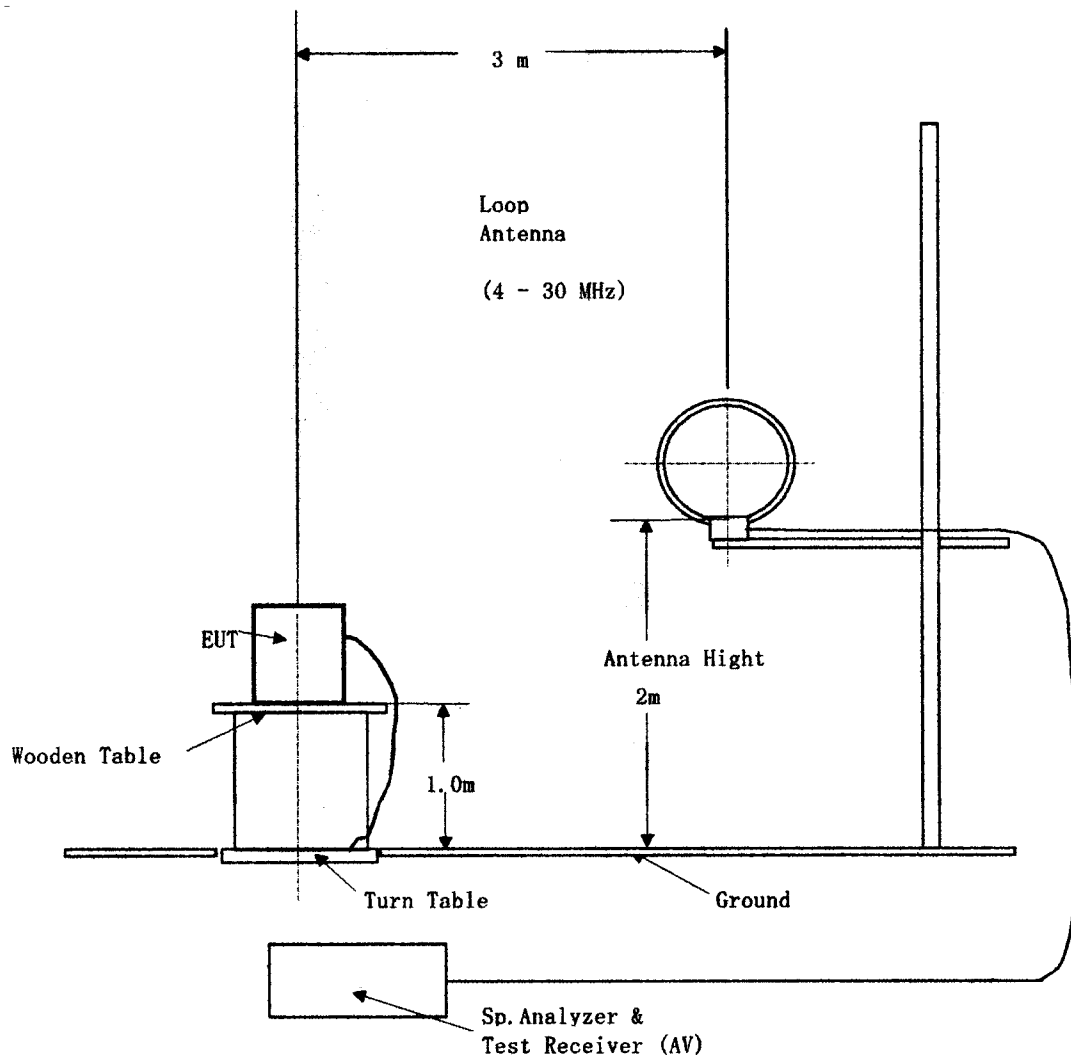
The EUT was placed on a 1.0m high nonconductive turn table along with the peripherals.

The turn table was separated from the antenna distance 3 meters.

Cables for peripherals were placed in a position to produce maximum emissions as determined by experimentation, and operation mode was selected for maximum emission.

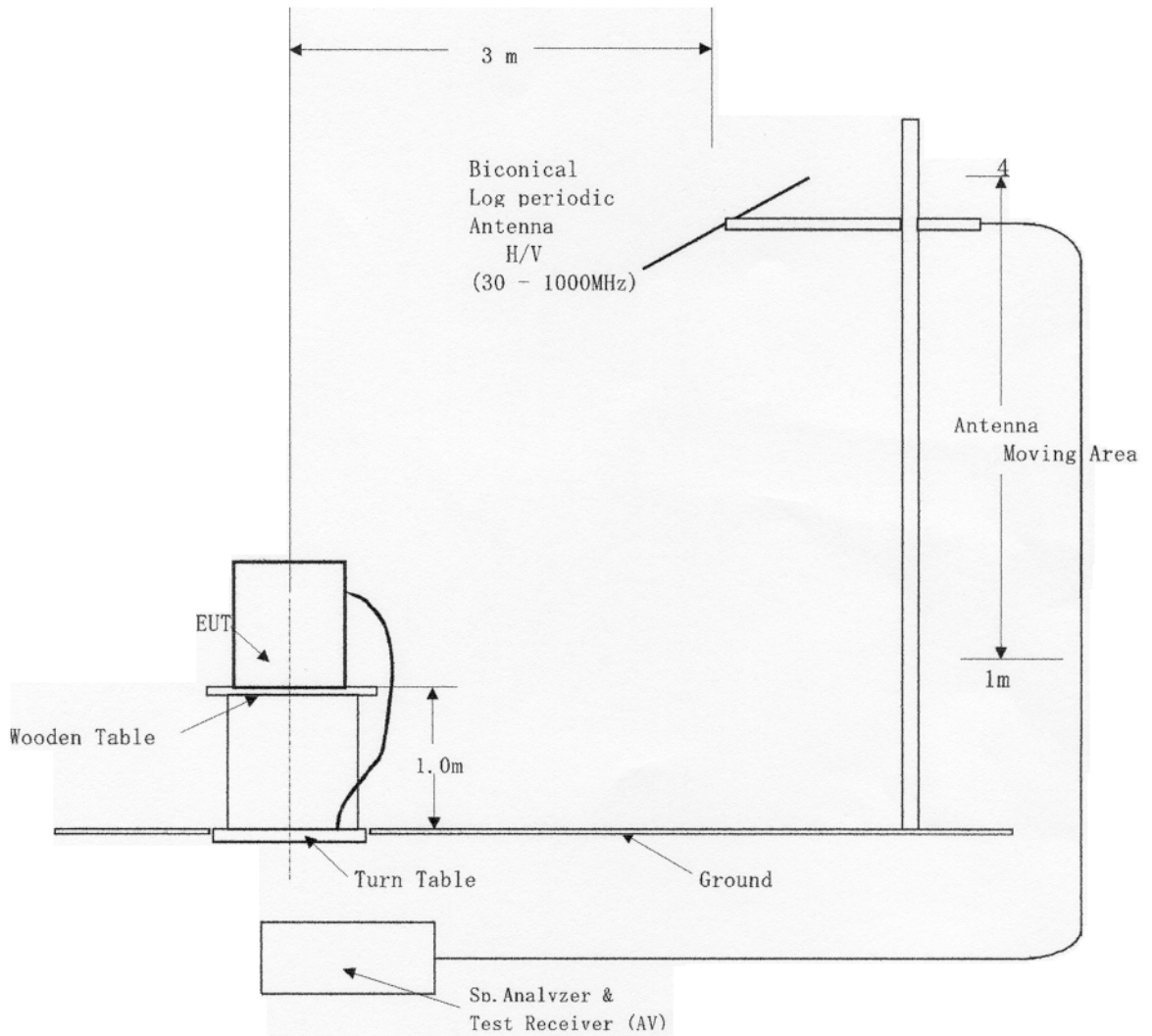
#### □ RADIATED EMISSIONS(1)

- a. Measurement Methods and test Procedure : FCC / OST MP-5 (1986)
- b. Classification of EUT : FCC Part 18, Subpart C
- c. Test Arrangement



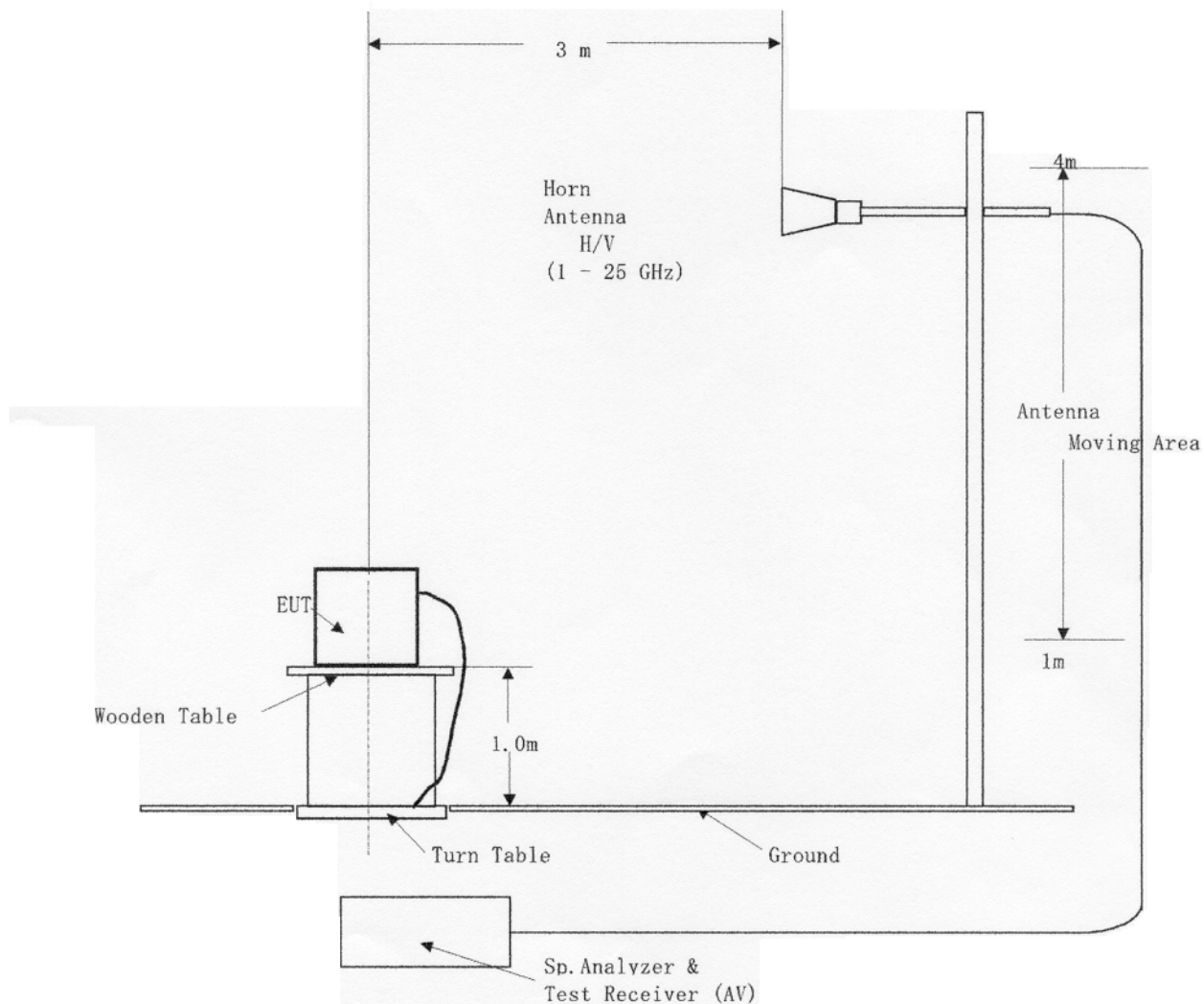
□ RADIATED EMISSIONS (2)

- a. Measurement Methods and test Procedure : FCC / OST MP-5 (1986)
- b. Classification of EUT : FCC Part 18, Subpart C
- c. Test Arrangement



□ RADIATED EMISSIONS(3)

- a. Measurement Methods and test Procedure : FCC / OST MP-5 (1986)
- b. Classification of EUT : FCC Part 18, Subpart C
- c. Test Arrangement



## 5.2 Test System Details

## 5.2.1 Type of Interface Cables

Cable No.	EUT / Peripheral	Type No.	Manufacture	Length
1	Power Cord for Microwave Oven 3 Wires type	-----	PLUG: NEMA 6P-30	1.5 m

## 5.2.2 Configuration and Blockdiagram

Terntable is the course of  
the angle 0 deg. from antenna side

