

# Panasonic®

**Owner's Manual**  
**Countertop Induction Oven**  
**Household Use Only**  
**Model No. NU-HX100S**



**PLEASE READ THESE INSTRUCTIONS CAREFULLY BEFORE USING THIS PRODUCT,  
AND SAVE THIS MANUAL FOR FUTURE USE.**

Inverser le manuel pour lire les instructions en français.

Panasonic Canada Inc.  
5770 Ambler Drive  
Mississauga, Ontario  
L4W 2T3  
Tel: (905) 624-5010  
www.panasonic.com

F0003BV00CP  
PA0716-0  
Printed in China

© Panasonic Appliances Microwave Oven (Shanghai) Co., Ltd. 2016

# CONTENTS

## Safety Information

IMPORTANT SAFETY INSTRUCTIONS .....	1
IMPORTANT SAFEGUARDS .....	2
SAFEGUARDS .....	3
Safety Precautions.....	4
Grounding Instructions .....	4
Installation .....	5
General Use.....	5-6
Food Preparation.....	6

## Operation

Location of Controls .....	8
Grill Pan .....	9
Control Panel.....	10
Display Window .....	10
Cook Mode.....	11
IH Cooking Mechanism .....	11
Operation .....	12-25
Using the Oven for the First Time .....	12
Setup Feature .....	12-13
Demo Mode .....	14
Setting the Child Safety Lock.....	14
Grill Feature.....	15
Keep Warm Feature .....	16
Broil Feature.....	17
Combo Feature .....	18-19
Bake Feature .....	20
Setting the Timer .....	21
Adding Time .....	21
Auto Menu.....	22-25
Cooking Chart.....	26-30
Food Characteristics .....	31

## Maintenance

Care and Cleaning of Your Oven.....	32
Before Requesting Service .....	33-34
Warranty .....	35

## General Information

Cookware Guide .....	7
Specifications.....	36
User's Record.....	36



## IMPORTANT SAFETY INSTRUCTIONS

### Your safety and the safety of others are very important.



We have provided important safety messages in this manual and on your appliance. Always read and obey all safety messages.

This is the safety alert symbol. It is used to alert you to potential hazards that can kill or hurt you and others.

All safety messages will follow the safety alert symbol and either the word “DANGER”, “WARNING” or “CAUTION”. These words mean:

#### **DANGER**

You can be killed or seriously injured if you don't immediately follow instructions.

#### **WARNING**

You can be killed or seriously injured if you don't follow instructions.

#### **CAUTION**

You can be exposed to a potentially hazardous situation which, if not avoided, may result in minor or moderate injury.

All safety messages will tell you what the potential hazard is, tell you how to reduce the chance of injury, and tell you what can happen if the instructions are not followed.

## Thank you for purchasing a Panasonic Countertop Induction Oven

Your oven is a cooking appliance and you should use as much care as you use with a stove or any other cooking appliance. When using this electric appliance, basic safety precautions should be followed, including the following:

### **WARNING**

**Inspection for Damage — The oven should only be used if an inspection confirms all of the following conditions:**

1. The grille is not damaged or broken.
2. The oven door fits squarely and securely and opens and closes smoothly.
3. The oven door hinges are in good condition.
4. The metal plates of a metal seal on the oven door are neither buckled nor deformed.
5. The oven door seals are neither covered with food nor have large burn marks.

# IMPORTANT SAFEGUARDS



## WARNING

To reduce the risk of burns, electric shock, fire or injury to persons:

1. Read all instructions before using this appliance.
2. **DO NOT** touch hot surfaces. Use handles or knobs.
3. To protect against electrical shock **DO NOT** immerse cord, plugs in water or other liquid.
4. Close supervision is necessary when any appliance is used by or near children.
5. Unplug from outlet when not in use and before cleaning. Allow to cool before putting on or taking off parts.
6. **DO NOT** operate this appliance if it has a damaged cord or plug, if it is not working properly, or if it has been damaged or dropped. It is dangerous for anyone other than a service technician trained by the manufacturer to perform repair service.
7. The use of accessory attachments not recommended by the appliance manufacturer may cause injuries.
8. **DO NOT** store or use this appliance outdoors. **DO NOT** use this product near water (for example, near a kitchen sink, in a wet basement, or near a swimming pool or similar locations).
9. **DO NOT** let cord hang over edge of a table or counter, or touch hot surfaces.
10. **DO NOT** place this appliance on or near a hot gas or electric burner, or in a heated oven. Install or locate this appliance only in accordance with the installation instructions found on page 5.
11. Extreme caution must be used when moving an appliance containing hot oil or other hot liquids.
12. Use this appliance only for its intended use as described in this manual. **DO NOT** use appliance for other than intended use. **DO NOT** use corrosive chemicals, vapors or non-food products in this appliance. This type of oven is specifically designed to heat or cook food. It is not designed for industrial or laboratory use. The use of corrosive chemicals in heating or cleaning will damage the appliance.
13. Use extreme caution when removing tray or disposing of hot grease.
14. **DO NOT** clean with metal scouring pads. Pieces can break off the pad and touch electrical parts involving a risk of electric shock.
15. Extreme caution should be exercised when using containers constructed of other than metal or glass.
16. To reduce the risk of fire in the oven cavity:
  - (a) **DO NOT** overcook food. Carefully attend appliance when combustible materials are placed inside the oven to facilitate cooking.
  - (b) **If material inside the oven ignites, keep the oven door closed, turn oven off, and disconnect the power cord.**
  - (c) **DO NOT** use the cavity for storage purposes. **DO NOT** store any materials, other than manufacturers recommended accessories, in this oven when not in use.
  - (d) **DO NOT** place any of the following materials in the oven: that is **paper, cardboard, plastic, and the like.**
  - (e) A fire may occur if the oven is covered or touching flammable material, including curtains, draperies, walls, and the like, when in operation. **DO NOT** store any item on top of the appliance when in operation.
  - (f) **DO NOT** cover the Grill Pan or any part of the oven with metal foil. This will cause overheating of the oven.
17. **DO NOT** Cook on Broken oven cavity floor – If oven cavity floor should break, cleaning solutions and spill overs may penetrate the broken oven cavity floor and create a risk of electric shock.
18. Clean oven cavity floor with Caution – If a wet sponge or cloth is used to wipe spills on a hot cooking area, be careful to avoid steam burn, some cleaners can produce noxious fumes if applied to a hot surface.
19. **DO NOT** place metallic objects such as knives, forks, spoons and lids on the oven cavity floor since they can get hot.

## SAVE THESE INSTRUCTIONS

For proper use of your oven, read remaining safety cautions and the Owner's Manual.

# SAFEGUARDS

20. This appliance must be grounded. Connect only to a properly grounded outlet. See "**GROUNDING INSTRUCTIONS**" found on page 4.
21. **DO NOT** cover or block any openings on this appliance.
22. This appliances are not intended to be operated by means of an external timer or separate remote-control system.
23. **DO NOT** cook directly on the oven cavity floor. It can crack, and cause injury or damage to the oven. Always put food directly on the Grill Pan on the centre of Oven Cavity Floor.
24. As with any cooking appliance, **DO NOT** leave oven unattended while in use.
25. Oversize foods must not be inserted in the oven as they may create a fire or risk of electric shock.
26. Take CAUTION when sliding out the Grill Pan from oven, do not let the Grill Pan rest half way on the inside the oven. The inside the oven is not designed with a stop-lock and it can not hold the Grill Pan.
27. When cleaning surfaces of the oven door and oven that come together on closing the oven door, use only mild, non-abrasive soaps or detergents applied with a sponge or soft cloth.
28. The door seals and door seal areas should be cleaned with a damp cloth. The appliance should be inspected for damage to the door seals and door seal areas and if these areas are damaged the appliance should not be operated until it has been repaired by a service technician trained by the manufacturer.
29. Keep cord away from heated surfaces.
30. If the supply cord of this appliance is damaged, it must be replaced with the special cord available from the manufacturer. It is dangerous for anyone other than a service technician trained by the manufacturer to perform repair service.
31. **DO NOT** attempt to tamper with or make any adjustments or repairs to the oven door, the control panel housing, safety interlock switches or any other part of the oven. Repairs should only be done by a qualified service technician.
32. This appliance should be serviced only by qualified service personnel. Contact the nearest authorized service center for examination, repair or adjustment.
33. **DO NOT** allow children to use this appliance, unless closely supervised by an adult. **DO NOT** assume that because a child has mastered one cooking skill he/she can cook everything.
34. This appliance is not intended for use by persons (including children) with reduced physical, sensory or mental capabilities, or lack of experience and knowledge unless they have been given supervision or instruction concerning use of the appliance by a person responsible for their safety. Young children should be supervised to ensure that they do not play with the appliance.
35. Exterior oven surfaces, including air vents on the cabinet and the oven door will get hot during Bake, Grill, Combo, Broil or Auto functions. To prevent burns, take care when opening or closing the oven door and when inserting or removing food and accessories.
36. The oven has heaters situated in the top of the oven. During and after using either the Bake, Combo, Broil or Auto functions, all inside surfaces of the oven will be very hot. To prevent burns, care should be taken to avoid touching the inside surfaces of the oven.

**Attention: Hot Surfaces**

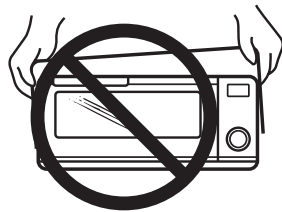


# **WARNING**

## Safety Precautions

### TO AVOID THE RISK OF SHOCK:

**DO NOT** remove outer panel from oven. **DO NOT** tamper with, or make any adjustments or repairs to the oven door, the control panel frame, safety interlock switches, or any other part of oven. Repairs must be done only by a qualified service person.



### TO AVOID THE RISK OF FIRE:

1. **DO NOT** store flammable materials next to, on top of, or in the oven.
2. **DO NOT** dry clothes, newspapers or other materials in the oven, or use newspaper or paper bags for cooking.
3. **DO NOT** hit or strike the control panel. Damage to controls may occur.



4. **DO NOT** use recycled paper products unless the paper product is labeled as safe for oven use. Recycled paper products may contain impurities, which may cause fire.

### TO AVOID THE RISK OF SCALDING:

1. OVEN GLOVES should always be used when removing items from the oven. See page 9 for more information. Heat is transferred from the Grill Pan to the cooking food and the Oven Cavity Floor. The Oven Cavity Floor can also be very HOT after removing the Grill Pan or cooking container from the oven.
2. Please use caution when touching accessible parts when oven is operated in Bake, Grill, Combo, Broil or Auto feature, because the accessible parts may become extremely hot.



## Grounding Instructions

### **WARNING: IMPROPER USE OF THE GROUNDING PLUG CAN RESULT IN A RISK OF ELECTRIC SHOCK.**

Consult a qualified electrician or service person if the grounding instructions are not completely understood, or if doubt exists as to whether the appliance is properly grounded. If it is necessary to use an extension cord, use only a three-wire extension cord that has a three-prong polarized grounding plug, and a three-slot receptacle that will accept the plug of the appliance. The marked rating of the extension cord should be equal to or greater than the electrical rating of the appliance.

### Grounding Instructions

#### **THIS APPLIANCE MUST BE GROUNDED.**

In the event of an electrical short circuit, grounding reduces the risk of electric shock by providing an escape wire for the electric current. This appliance is equipped with a cord having a grounding wire with a grounding plug. The plug must be plugged into an outlet that is properly installed and grounded.

- **Plug into properly installed and grounded three-prong outlet.**
- **DO NOT** remove ground prong.
- **DO NOT** use an adapter.

### Power Supply

1. A short power-supply cord (or detachable power-supply cord) is provided to reduce the risk resulting from becoming entangled in or tripping over a longer cord.
2. The cord should be arranged so that it will not drape over the countertop or tabletop where it can be pulled on by children or tripped over unintentionally.
3. The use of extension cords is not recommended.

### Wiring Requirements

1. The oven must be operated on a SEPARATE CIRCUIT. No other appliance should share the circuit with the oven. If it does, the branch circuit fuse may blow or the circuit breaker may trip.
2. The oven must be plugged into a 15 AMP or 20 AMP, 120 VOLT, 60 Hz GROUNDED OUTLET. Where a standard two-prong outlet is encountered, it is the personal responsibility and obligation of the consumer to have it replaced with a properly grounded three-prong outlet.
3. The VOLTAGE used must be the same as specified on this oven (120 V, 60 Hz). Using a higher voltage is dangerous and may result in a fire or oven damage. Using a lower voltage will cause slow cooking. Panasonic is NOT responsible for any damages resulting from the use of the oven with any voltage other than specified.



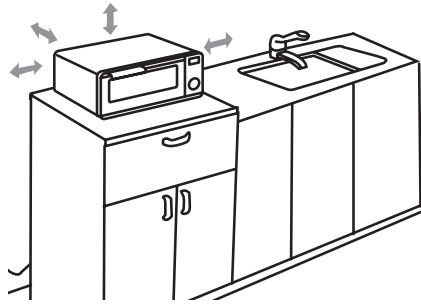
# Installation

## Examine Your Oven

Unpack oven, remove all packing material and examine the oven for any damage such as dents, broken door latches or cracks in the oven door. Notify dealer immediately if oven is damaged. **DO NOT** install if oven is damaged.

## Placement of Oven

1. The oven must be placed on a flat, stable surface, which is 91.6 cm (36") height from the ground. Place the front surface of the oven door three inches or more from the counter top edge to avoid accidental tipping of the oven during normal use. For proper operation, the oven must have sufficient air flow. **Allow 15 cm (6") of space on the top of the oven, 10 cm (4") at the back, 10 cm (4") on the left and the other side being open. If one side of**



the oven is placed flush against wall, the other side or the top must not be blocked. Do not remove the bottom feet from the oven.

- (a) **DO NOT** block air vents. If they are blocked during operation, the oven may overheat and be damaged.
  - (b) **DO NOT** place oven near a hot, damp surface such as a gas or electric range, sink, or dishwasher.
  - (c) **DO NOT** operate oven when room humidity is excessive.
2. This oven is manufactured for household use only. It is not approved or tested for mobile vehicle, marine, or commercial use.

## Installation

**DO NOT** block air vents. If they are blocked during operation, the oven may overheat. If the oven overheats, a thermal safety device will turn the oven off. The oven will remain inoperable until it has cooled.



# General Use

## TV / RADIO / WIRELESS EQUIPMENT INTERFERENCE

1. This product has been tested and found to comply with the limits for the Oven, pursuant to Part 18 of the FCC Rules. This product can radiate radio frequency energy, which could cause interference to such products as radio, TV, baby monitor, cordless phone, Bluetooth, wireless router, etc., which can be confirmed by turning this product off and on. If present, the user is encouraged to try to correct by taking one or more of the following countermeasures:
  - (a) Increase the spacing distance between the oven and other product receiving the interference.
  - (b) If possible, use a properly installed receiver antenna and/or reorient the receiving antenna of the other product receiving the interference.
  - (c) Plug the oven into a different outlet from the other product receiving the interference.
  - (d) Clean the oven door and sealing surfaces of the oven. (See Care and Cleaning of Your Oven)

## General Guidelines

1. This oven is specifically designed to heat or cook food. **DO NOT** use this oven to heat chemicals or other non-food products.
2. Before use, check that utensils/containers are suitable for use in oven.
3. **DO NOT** poke an object through a grille or between the oven door and the oven while the oven is operating.
4. Always use the oven with the Grill Pan, don't use any other container directly on the oven cavity floor.
5. In order to maintain high quality, **DO NOT** operate the oven when empty unless specifically allowed in the manufacturer's literature.
6. **DO NOT** attempt to use this oven to dry newspaper, clothing or any other materials. They may catch fire.
7. When the oven is not being used, **DO NOT** store any objects other than oven accessories inside the oven in case it is accidentally turned on.
8. Extreme caution must be used when moving hot liquids.
9. When taking out cooking containers take care not to let the contents spill.
10. Avoid hot steam, serious burns and scalds could result.
11. To prevent injury, Do not allow anyone to lean, hang, sit or place heavy items on the open oven door of the appliance. Severe personal injury could result.
12. Clean the oven cavity, the oven door and the seals with water and a mild detergent at regular intervals. **DO NOT** use any form of abrasive cleaner that may scratch or scour surfaces around the oven door.
13. **DO NOT** use a steam cleaner to clean this appliance. The steam from the cleaning appliance could penetrate live components and permanently damage the oven or cause injury.
14. The use of accessories not recommended by Panasonic may cause injury.



## General Use (continued)

### Fan Motor Operation

After using the oven repeatedly or for long time, the fan may operate to cool the electric components. This is perfectly normal, and you can take out the food from the oven while the fan operates.

It is recommended to keep the oven plugged in until the Fan Motor completely stops operating.

### Before Using Your Oven

Before using the oven for the first time, wipe excessive oil off in the oven cavity and operate the oven without food on Combo 1 for 5 minutes with the Grill Pan on the Oven Cavity Floor. This will allow the oil that is used for rust protection to be burned off. This is the only time the oven is used without food. (with the exception of preheating on Bake and Grill feature)

### Oven Light

Not User Replaceable. When it becomes necessary to replace the oven light, please consult Panasonic for the nearest authorized service centre for examination or repair. Contact information is provided in the warranty page 35.

## Food Preparation

Follow these Safety Precautions when cooking in your oven.

### **IMPORTANT**

Proper cooking depends upon the power, the time setting and quantity of food. If you use a smaller portion than recommended but cook at the time for the recommended portion, fire could result.

#### 1) HOME CANNING / STERILIZING / DRYING FOODS / SMALL QUANTITIES OF FOODS

- **DO NOT** use your oven for home canning. Your oven cannot maintain the food at the proper canning temperature. The food may be contaminated and then spoil.
- **DO NOT** use the oven to sterilize objects (baby bottles, etc.). It is difficult to keep the oven at the high temperature needed for sterilization.
- **DO NOT** dry meats, herbs, fruits or vegetables in your oven. Small quantities of food or foods with low moisture content can dry out, scorch or catch on fire if overheated.

#### 2) DEEP FAT FRYING

- **DO NOT** deep fat fry in your oven. Cooking oils may burst into flames and may cause damage to the oven and may result in burns.

#### 3) OVEN CAVITY FLOOR

- Cooking containers get hot during cooking. Heat is transferred from the HOT food to the container and the Oven Cavity Floor. Use oven gloves when removing containers from the oven or when removing lids from cooking containers, to avoid burns.
- The Oven Cavity Floor will get hot during cooking. It should be allowed to cool before handling.

#### 4) PAPER TOWELS / CLOTHS

- **DO NOT** use paper towels or cloths that contain a synthetic fiber woven into them. The synthetic fiber may cause the towel to ignite. Use paper toweling under supervision.

#### 5) OVEN COOKING BAGS

- **DO NOT** use cooking bags, unless it is heat-proof.

#### 6) THERMOMETERS

- **DO NOT** put thermometers in your oven when cooking. After cooking, verify food by an instant read thermometer.

#### 7) BABY FORMULA / BABY FOOD

- **DO NOT** heat baby formula or baby food in the oven. The glass jar or surface of the food may appear warm while the interior can be so hot as to burn the infant's mouth and esophagus.

#### 8) REHEATING PASTRY PRODUCTS

- When reheating pastry products, check temperatures of any fillings before eating.

#### 9) GENERAL OVEN USAGE GUIDELINES

- **DO NOT** use the oven for any purpose other than the preparation of food.



# Cookware Guide

## Caution:

Place all cookware on the Grill Pan when you are cooking. It is dangerous to use cookware (specifically for metal ware) directly on the oven cavity floor. Do not use commercial IH containers directly on the oven cavity floor.

## Plastic wrap

**NO.** Plastic wrap will melt under a high temperature.



## Wax Paper

**NO.** Note: Wax paper that has undergone heat resistant treatment can be used.



## Non-heat resistant glass containers

**NO.** Glass will be broken under a high temperature.



## Towels & Napkins

**NO.** They may cause a fire in the oven.



## Plastic containers

**NO.** Plastic will melt under a high temperature.



## Frozen Dinner Trays

Metal Tray: **YES.** Use together with the Grill Pan.



Plastic Tray: **NO.**

## Brown Paper Bags

**NO.** They may cause a fire in the oven.



## Aluminum and other metal containers

**YES.** Use together with the Grill Pan. Meal containers with resin handles cannot be used.



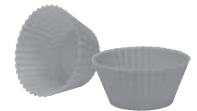
## Lacquerware

**NO.**



## Heat-proof silica gel container

**YES.** Only use in Bake mode. Check heat-resistant temperature of silica gel container before baking.



## Oven Cooking Bag

**NO.** Note: Cooking bag that have undergone heat resistant treatment can be used.

## Heat Resistant Oven Glassware/Ceramic

**YES.**



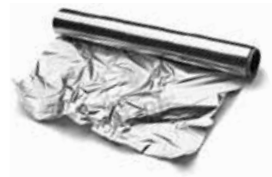
## Wood • bamboo • paper containers

**NO.** Note: Paper containers that have undergone heat resistant treatment can be used.



## Aluminum foil (Household aluminum foil)

**YES.**



## Disposable Polyester Paperboard Dishes

**NO.** They may cause a fire in the oven.

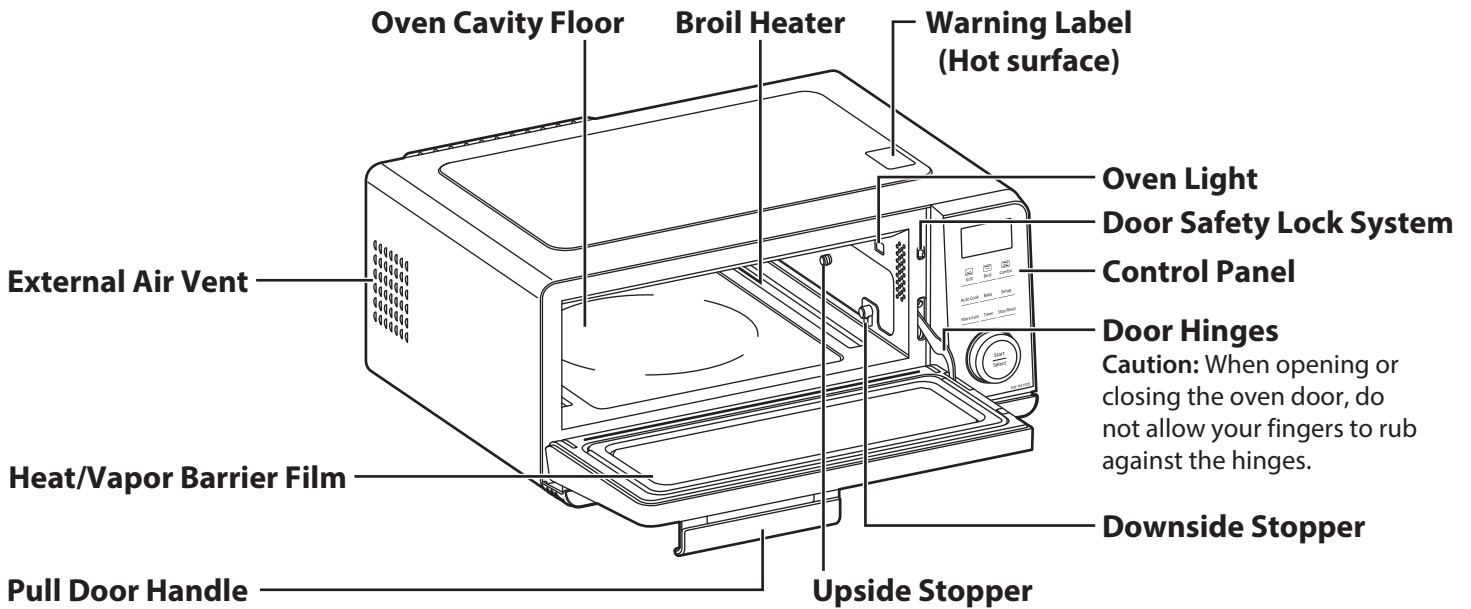


## Thermometers

**ONLY** use instant read thermometer after cooking.



# Location of Controls



**Pull Door Handle**  
Pull to open the oven door. Opening the oven door during cooking will stop the cooking process without cancelling the program. Cooking resumes as soon as the oven door is closed and **Start/Select Dial** is pressed. It is quite safe to open the oven door at any time during a cooking program.

**NOTE:**

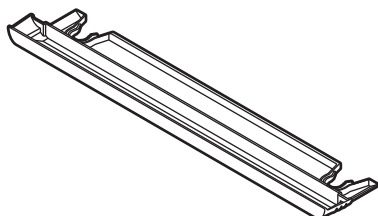
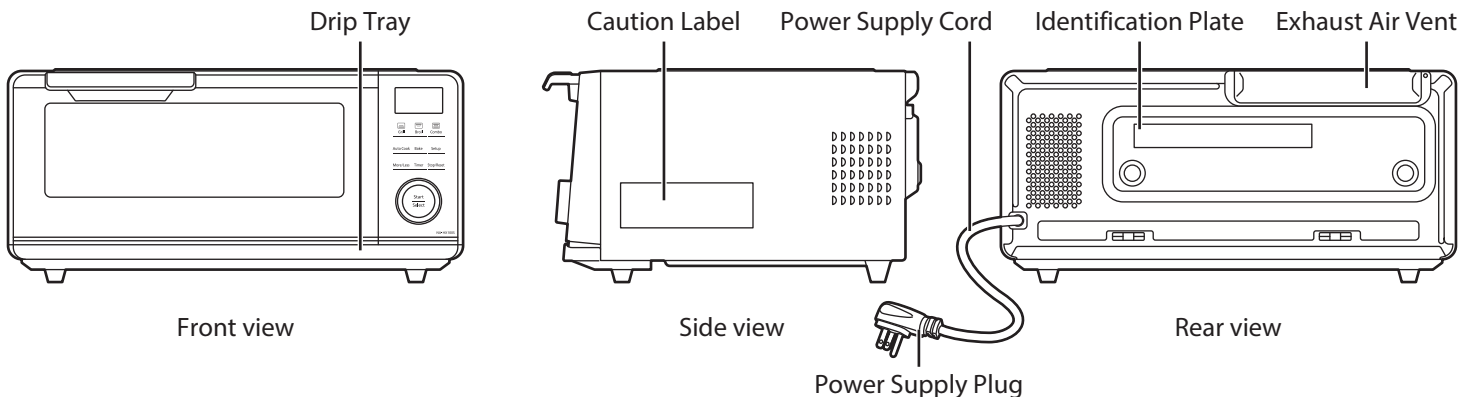
The illustration is for reference only.

**Oven Light:**

The oven light will turn on during cooking and also when the oven door is opened.

**Caution:**

1. There is a heater protector around the broil heater, and it gets very hot. Care should be taken when you remove the food from oven.
2. The weight borne by the oven door cannot exceed 10 lb. Do Not ride or hang on the oven door.

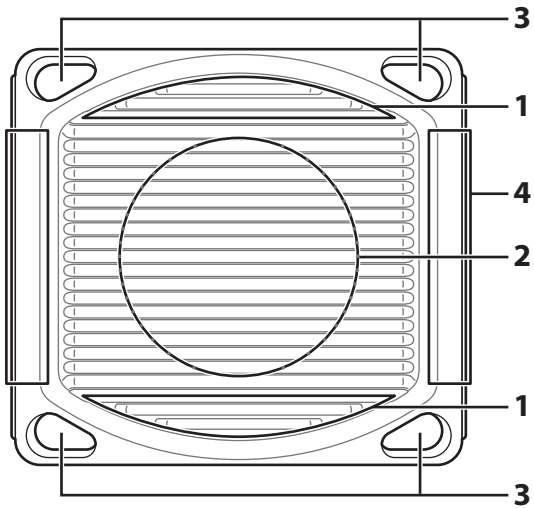


**Drip Tray**

1. Before using the oven, the drip tray must be fitted as it collects excess water during cooking. The drip tray should be removed and cleaned on a regular basis.
2. Fit the drip tray by holding with both hands and clicking onto the front legs of the oven.
3. To remove the drip tray, hold with both hands and gently pull or release forward. Wash in warm soapy water. Re-position the drip tray by clicking back onto the legs.
4. DO NOT USE A DISHWASHER TO CLEAN THE DRIP TRAY.

# Grill Pan

When cooking directly on the Grill Pan, please arrange your food by following the illustrations below and illustrations on pages on 23 through 25.



## 1. Water pocket

When cooking toast or bagel, please add the water in this area.

## 2. High power Area

When cooking chicken, fish or meat etc., please put it in this area.

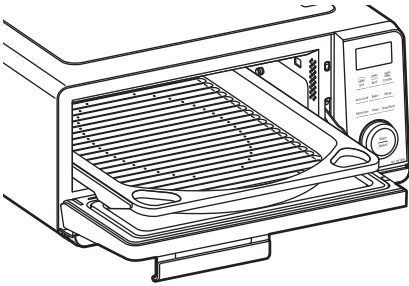
## 3. Handle

## 4. Holder

### Caution:

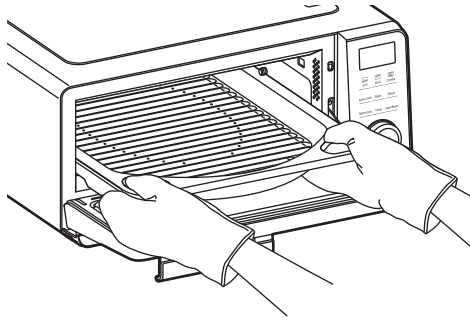
1. Use oven gloves when removing the Grill Pan as it will be very hot.
2. Do Not put the Grill Pan directly on table after cooking. The high temperature will damage the surface of the table. Always use a heat-proof pot mat.
3. Do Not hook the Grill Pan.
4. Do Not put it on the oven door for a long time.
5. The maximum weight can be used on the Grill Pan is 3.3 lb.

For there is a upside stopper on the right side of the oven, care should be taken when you put the Grill Pan into the oven. Please see the guidelines below:

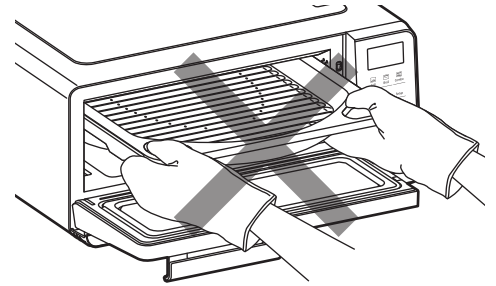


Put the Grill Pan on the oven door.

\* The edge of the Grill Pan can't be over the edge of the oven door.

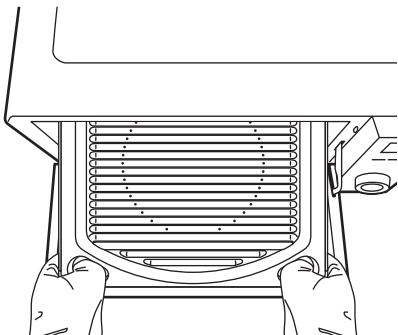


Push the Grill Pan into the oven.



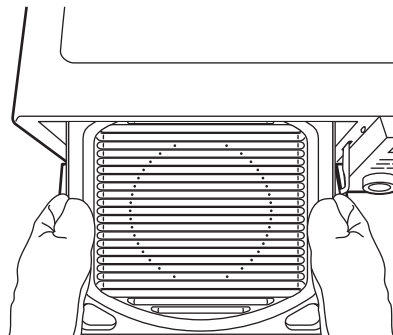
**DO NOT** let the Grill Pan higher than the upside stopper when you put it into oven.

The Grill Pan is very heavy, so care should be taken when you remove food from the oven. Please see the guidelines below:



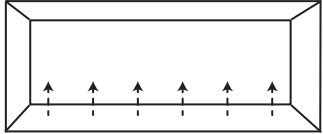
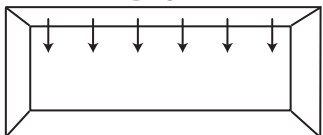
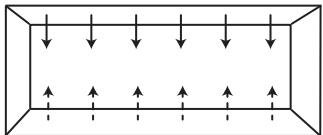
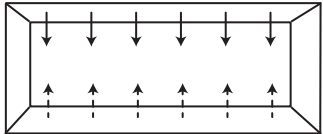
Using your finger to hook the handle on the Grill Pan. Pull forward until caught by the downside stopper.

\*For some menus boiling water may still be in the water pocket, do not put your finger in it.



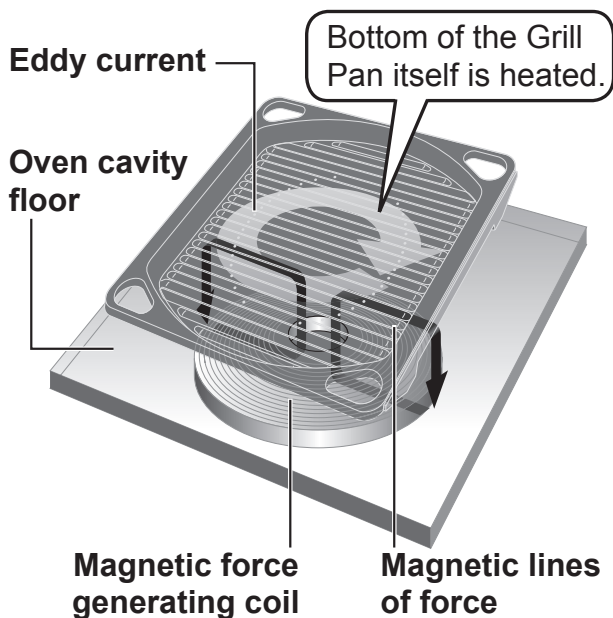
Take out the Grill Pan, using holder with both hands.

# Cook Mode

Cooking modes	Uses	Accessory to use	Containers
<p><b>Grill</b></p> 	<ul style="list-style-type: none"> <li>• <b>Grill</b> <ul style="list-style-type: none"> <li>■ Grill beef steak</li> <li>■ Grill lamb steak</li> <li>■ Grill pork steak</li> <li>■ Grill patties</li> </ul> </li> <li>Preheating is required.</li> <li>• <b>Keep Warm</b> <ul style="list-style-type: none"> <li>■ Keep warm cooked food.</li> </ul> </li> <li>No Preheating</li> </ul>	Grill pan.	See page 9.
<p><b>Broil</b></p> 	<ul style="list-style-type: none"> <li>■ Broil bacon.</li> <li>■ Melt cheese.</li> </ul> <p>No Preheating</p>		
<p><b>Combo</b></p> 	<ul style="list-style-type: none"> <li>■ Cook (GRILL+BROIL) poultry and meat.</li> <li>■ Cook (GRILL+BROIL) vegetables.</li> <li>■ Cook (GRILL+BROIL) seafood.</li> </ul>		
<p><b>Bake</b></p> 	<ul style="list-style-type: none"> <li>■ Bake frozen snacks.</li> <li>■ Bake pie crusts.</li> <li>■ Bake muffins, cookies etc.</li> </ul> <p>Preheating is required and temperature can be selected.</p>		

—————: Broil elements heating  
 - - - - -: Induction heating

## IH Cooking Mechanism



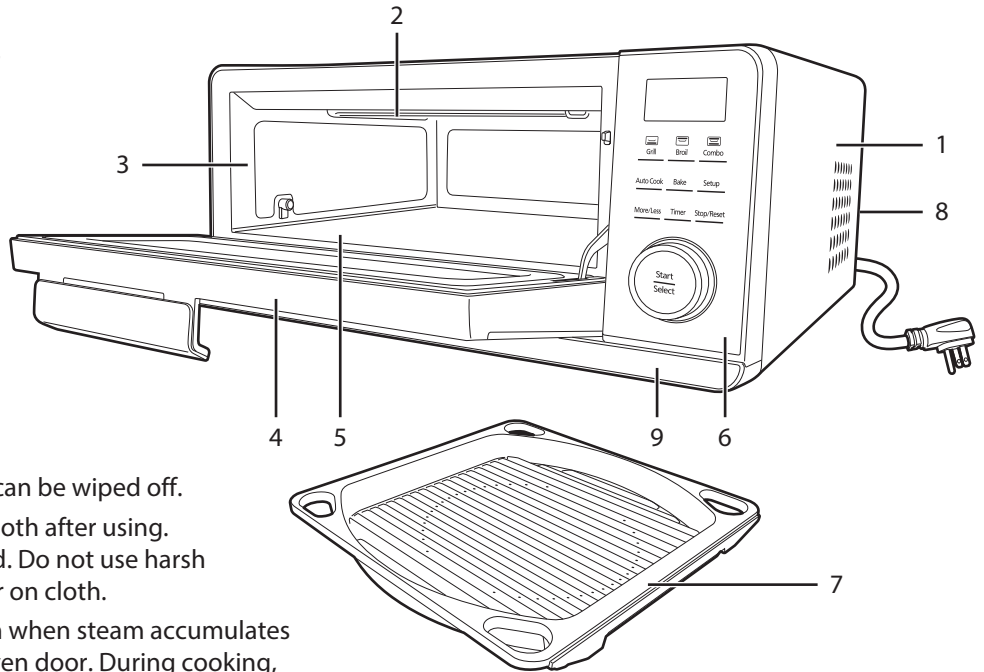
IH (Induction Heating) refers to electromagnetic induction heating. If electricity flows in the magnetic coils underneath the top plate, magnetic lines of force are produced. When the magnetic lines of force pass through the Grill Pan an eddy current is induced, and the heat generated by the electrical resistance of the Grill Pan is used for cooking.

# Care and Cleaning of Your Oven

Please see below and the following page for particular cleaning instructions for each section of the oven.

**BEFORE CLEANING:** Unplug oven at the wall outlet. If outlet is inaccessible, leave the oven door open while cleaning.

- 1. Outside Oven Surfaces:** Clean with a damp cloth or paper towel. To prevent damage to the operating parts inside the oven, water should not be allowed to seep into ventilation openings.
- 2. Top of the Oven Cavity:** This area has a self-clean catalytic lining. It is therefore not necessary to clean it. It can be wiped off.
- 3. Inside the Oven:** Wipe with a damp cloth after using. Mild detergent may be used if needed. Do not use harsh detergents or abrasives. Spray cleaner on cloth.
- 4. Oven Door:** Wipe with a soft dry cloth when steam accumulates inside or around the outside of the oven door. During cooking, especially under high humidity conditions, steam is given off from the food. (Some steam will condense on cooler surfaces, such as the oven door. This is normal.) **Do Not remove the vapor barrier on the Oven door. Do not use harsh abrasive cleaners or sharp metal scrapers to clean the oven door glass** since they may scratch the surface, which may result in shattering of the glass.
- 5. Oven Cavity Floor:** Clean the bottom surface of the oven with mild detergent, water or window cleaner, and dry. Simply wipe the bottom surface of the oven with mild detergent and warm water then dry with a clean cloth. Cooking vapours collect during repeated use but in no way affect the bottom surface.
- 6. Control Panel:** The Control Panel is covered with a removable protective film to prevent scratches during shipping. Small bubbles may appear under this film, so if this is the case, remove by applying masking or clear tape to an exposed corner and pull gently. If the Control Panel becomes wet, clean it with a soft dry cloth. Do not use harsh detergents or abrasives. When cleaning the control panel, leave the oven door open to prevent the oven from accidentally turning on. After cleaning touch **Stop/Reset** Pad to clear the display window.
- 7. Grill Pan:** After using, clean with a mild detergent or dishwasher. Do not use abrasive cleaners to clean it. (Such as steel wool, etc.) Ensure the Grill Pan is kept clean, especially when using GRILL, COMBO, BAKE and AUTO COOK.
- 8. Air Vents:** Keep air vents clear at all times. Check that no dust or other material is blocking any of the air vents on the top, bottom or rear of the oven. If vents become blocked this could cause overheating which would affect the operation of the oven and possibly result in a hazardous situation.
- 9. Drip Tray:** Wash in warm soapy water. See page 8 for more information.



**AFTER CLEANING:** Plug unit in and be sure the oven is clean and dry, and press **Stop/Reset** Pad to clear the Display.

## NOTES:

- After using GRILL, BROIL, COMBO, BAKE and AUTO COOK cooking, the walls of the oven should be cleaned with a soft cloth or paper towel sprayed with a non-abrasive cleanser. Particular care should be taken to keep the window area clean especially after cooking by GRILL, BROIL, COMBO, BAKE and AUTO COOK. Stubborn spots inside the oven can be removed by using a small amount of branded conventional oven-cleaner sprayed onto a soft damp cloth. Wipe onto problem spots, leave for recommended time and then wipe off. **DO NOT SPRAY DIRECTLY INSIDE THE OVEN.**
- When cooking by GRILL, BROIL, COMBO, BAKE and AUTO COOK some foods may splatter grease onto the oven walls. If the oven is not cleaned to eliminate this grease, it can accumulate and cause the oven to 'SMOKE' during use. These marks will be more difficult to clean later. **There is no need to clean the catalytic lining at the top of the oven cavity.**
- Do Not use a steam cleaner for cleaning. Do Not spray conventional oven-cleaner directly inside the oven.**

## Tips:

When oven is dirty, add ½ cup (4 FL oz) water into the Grill Pan. Put the Grill Pan directly on the oven cavity floor. Preheat oven on 450 °F. After preheating, let oven fully cool down. Wipe with a damp cloth.

**IT IS IMPORTANT TO KEEP THE OVEN CLEAN AND DRY. FOOD RESIDUE AND CONDENSATION MAY CAUSE RUSTING AND DAMAGE TO THE OVEN. AFTER USE, WIPE DRY ALL SURFACES, INCLUDING VENT OPENINGS, AND OVEN SEAMS.**

## Before Requesting Service

See below before calling for service, as most problems can easily be remedied by following these simple solutions:

Problem	Solution
The oven causes TV interference.	Some radio, TV, Wi-Fi, cordless telephone, baby monitor, blue tooth or other wireless equipment interference might occur when you cook with the oven. This interference is similar to the interference caused by small appliances such as mixers, vacuums, blow dryers, etc. It does not indicate a problem with your oven.
Steam accumulates on the oven door and warm air comes from the oven vents.	During cooking, steam and warm air are given off from the food. Most of the steam and warm air are removed from the oven by the air which circulates in the oven cavity. However, some steam will condense on cooler surfaces such as the oven door. This is normal. After use, the oven should be wiped dry (see page 32)
I accidentally operated my oven without any food in it.	Operating the oven empty for a short time will not damage the oven, however, it is not recommended.
There are humming and clicking noises from my oven when I cook using Combo.	These noise occur as the oven automatically switches from Broil to Grill, to create the Combo setting. This is normal.
The oven has an odour and generates smoke when using Bake, Broil Combo and Auto feature.	It is essential that your oven is wiped out regularly particularly after cooking Grill. Any fat and grease that builds up on the roof and walls of the oven will begin to smoke if not cleaned. The smoke will disappear after a few minutes. After using Grill function for cooking beef (steak, patty)/pork/lamb (including oily fat), clean the oven cavity completely every time. Operate the oven under Broil mode until smoke disappears, then wipe inside except ceiling after cooling down.
The fan motor continues operating after cooking is over	After using the oven, the fan motor will operate for several minutes to cool the electric components.
Some smoke is given off from the cavity when using Bake, Broil and Combo for the first time	This is caused by the excessive oil in the cavity and oil used for rust protection.
Oven will not turn on.	The oven is not plugged in securely or needs to be reset; remove plug from outlet, wait ten seconds and re-insert. Main circuit breaker or main fuse is tripped; reset main circuit breaker or replace main fuse. There is a problem with the outlet; plug another appliance into the outlet to check if it is working. The oven may be in stand-by mode; Ensure the oven is plugged in and open the door to activate.

## Before Requesting Service (continued)

Problem	Solution
Oven will not start cooking.	The oven door is not completely closed; close the oven door securely. <b>Start/Select</b> Dial was not pressed after programming; press <b>Start/Select</b> Dial. Another program is already entered into the oven; press <b>Stop/Reset</b> Pad to cancel the previous program and enter new program. The program is not correct; program again according to the Owner's Manual. <b>Stop/Reset</b> Pad has been pressed accidentally; program oven again.
The word " LOCK " appears in the display.	The CHILD SAFETY LOCK was activated by pressing <b>Start/Select</b> Dial 3 times; Deactivate CHILD SAFETY LOCK by pressing <b>Stop/Reset</b> Pad 3 times.
"DEMO MODE PRESS ANY KEY" or "D" appears in the display window.	Demo mode was selected "On"; Deactivate mode by pressing <b>Grill</b> Pad once <b>Start/Select</b> Dial 4 times and <b>Stop/Reset</b> Pad 4 times.

# Specifications

Power Source.....	120 V, 60 Hz
Power Consumption	
Grill .....	11.7 Amps, 1,400 W
Broil .....	10.7 Amps, 1,280 W
Combo.....	14.1 Amps, 1,710 W
Bake.....	14.1 Amps, 1,710 W
Outside Dimensions (W x H x D) .....	19 <sup>1</sup> / <sub>16</sub> " x 8 <sup>7</sup> / <sub>8</sub> " x 15 <sup>3</sup> / <sub>8</sub> " (500 mm x 225 mm x 390 mm)
Oven Cavity Dimensions (W x H x D).....	14 <sup>3</sup> / <sub>16</sub> " x 4 <sup>5</sup> / <sub>16</sub> " x 12 <sup>15</sup> / <sub>16</sub> " (360 mm x 110 mm x 328 mm)
Net Weight.....	Approx. 29.3 lbs (13.3 kg)

\*IEC Test procedure

Specifications subject to change without notice.

# User's Record

The serial number of this product may be found on the back side of the oven or on the left side of the control panel. You should note the model number and the serial number of this oven in the space provided and retain this book as a permanent record of your purchase for future reference.

Model No. \_\_\_\_\_

Serial No. \_\_\_\_\_

Date of Purchase \_\_\_\_\_