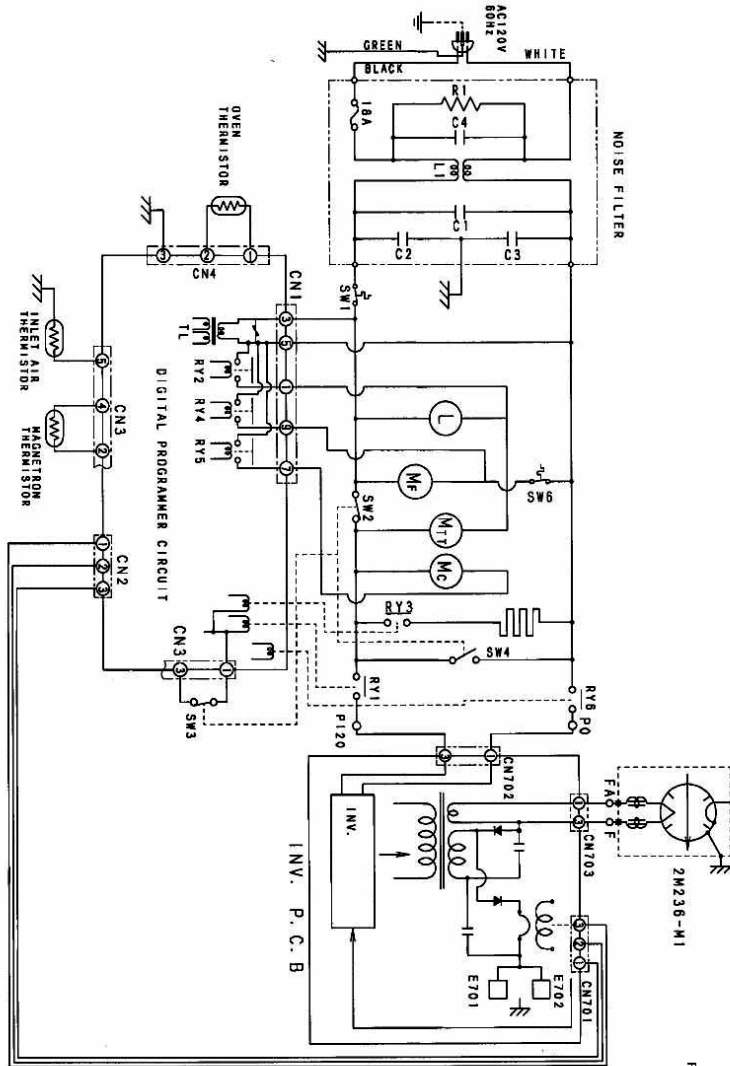


ACLAP7M71
EXHIBIT 4A

SCHEMATIC DIAGRAM

APPLIANCE CIRCUIT DIAGRAM/120V
(TYPE:S-7M7) BOSCH STEP-1 PROJECT
42L CONVECTION FOR U. S. A. AND CANADA
Note : Door is closed.
Unit is not operated.

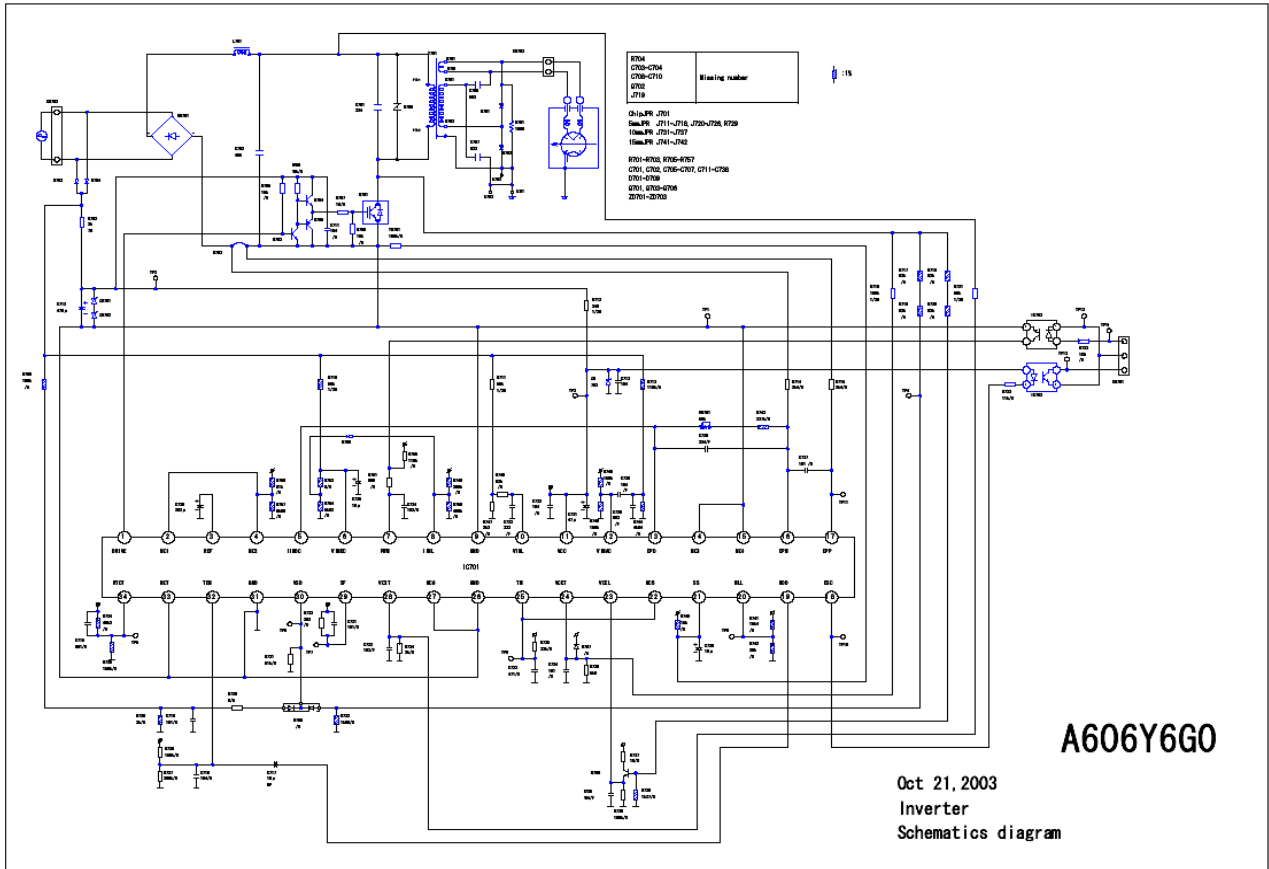
2006.03.24



- SW1 THERMAL CUT OUT (OVEN)
- SW2 PRIMARY INTER-LOCK SWITCH
- RY1, SW3 SECONDARY INTER-LOCK SWITCH SYSTEM
- SW4 MONITOR DEV
- SW6 THERMAL CUT OUT (HEATER)
- GROUNDING
- CHASSIS GROUND
- FUSE
- MF FAN MOTOR
- MC CONVECTION MOTOR
- DIODE
- C1 CAPACITOR
- C4 VARISTOR
- RY1 POWER RELAY
- RY6 LOW VOLTAGE TRANSFORMER
- TL COIL
- L OVEN LAMP
- MT TURN TABLE MOTOR
- HEATER

ACLAP7M71
EXHIBIT 4B

SCHEMATIC DIAGRAM



ACLAP7M71
EXHIBIT 4D

SCHEMATIC DIAGRAM

