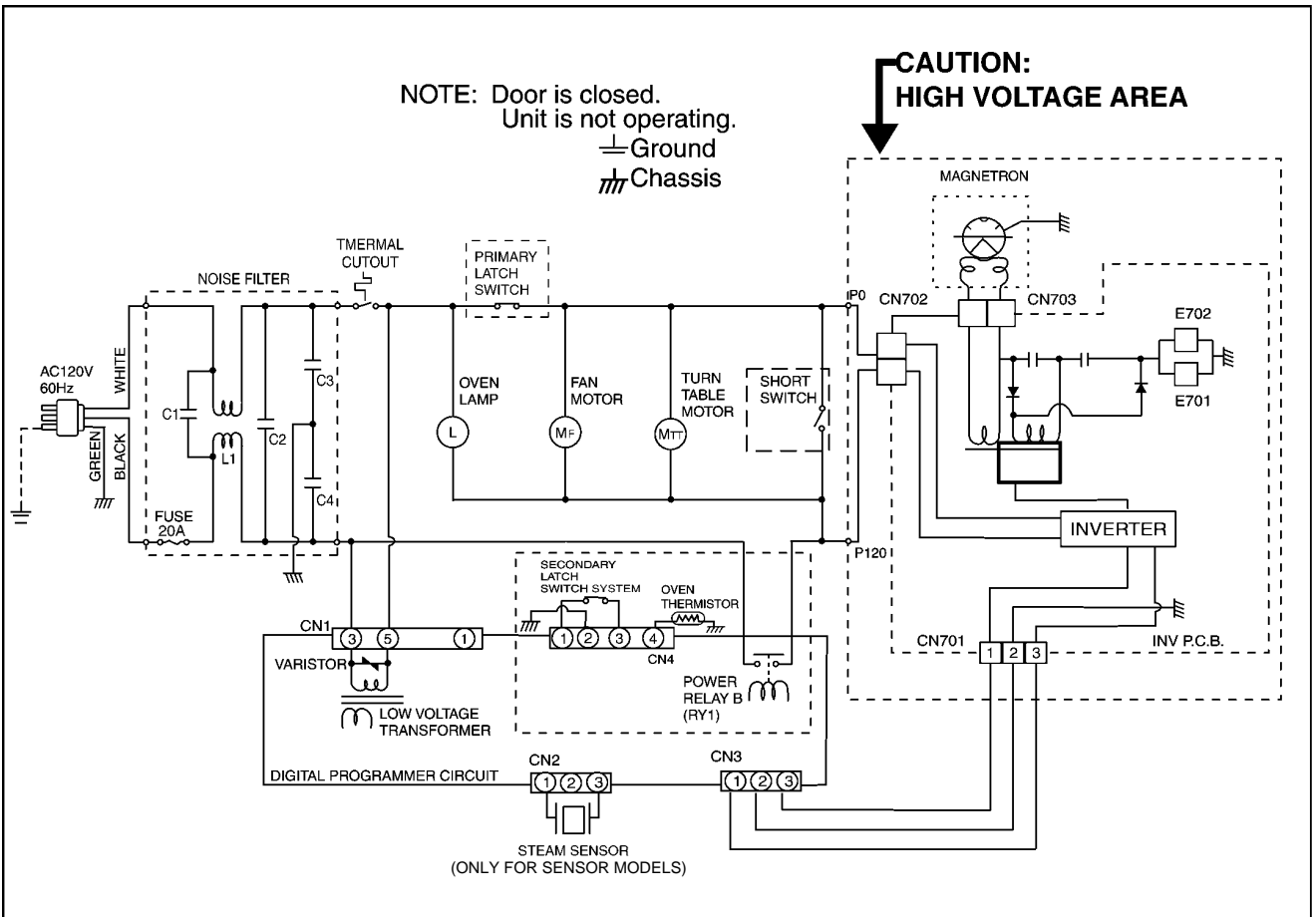


EXHIBIT: D

SCHEMATIC DIAGRAM

NN-SN667 (1.2cft)



WIRING DIAGRAM

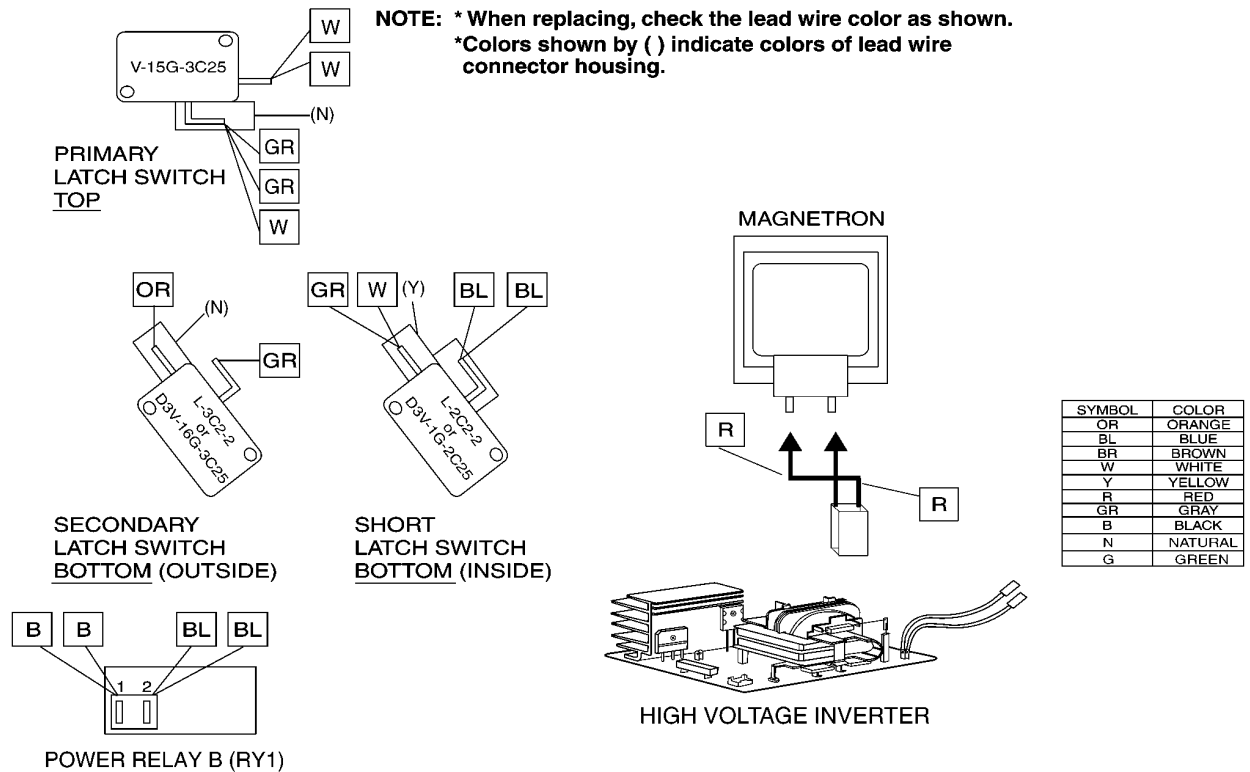


EXHIBIT D: Schematic Diagram (Inverter Power Supply)

