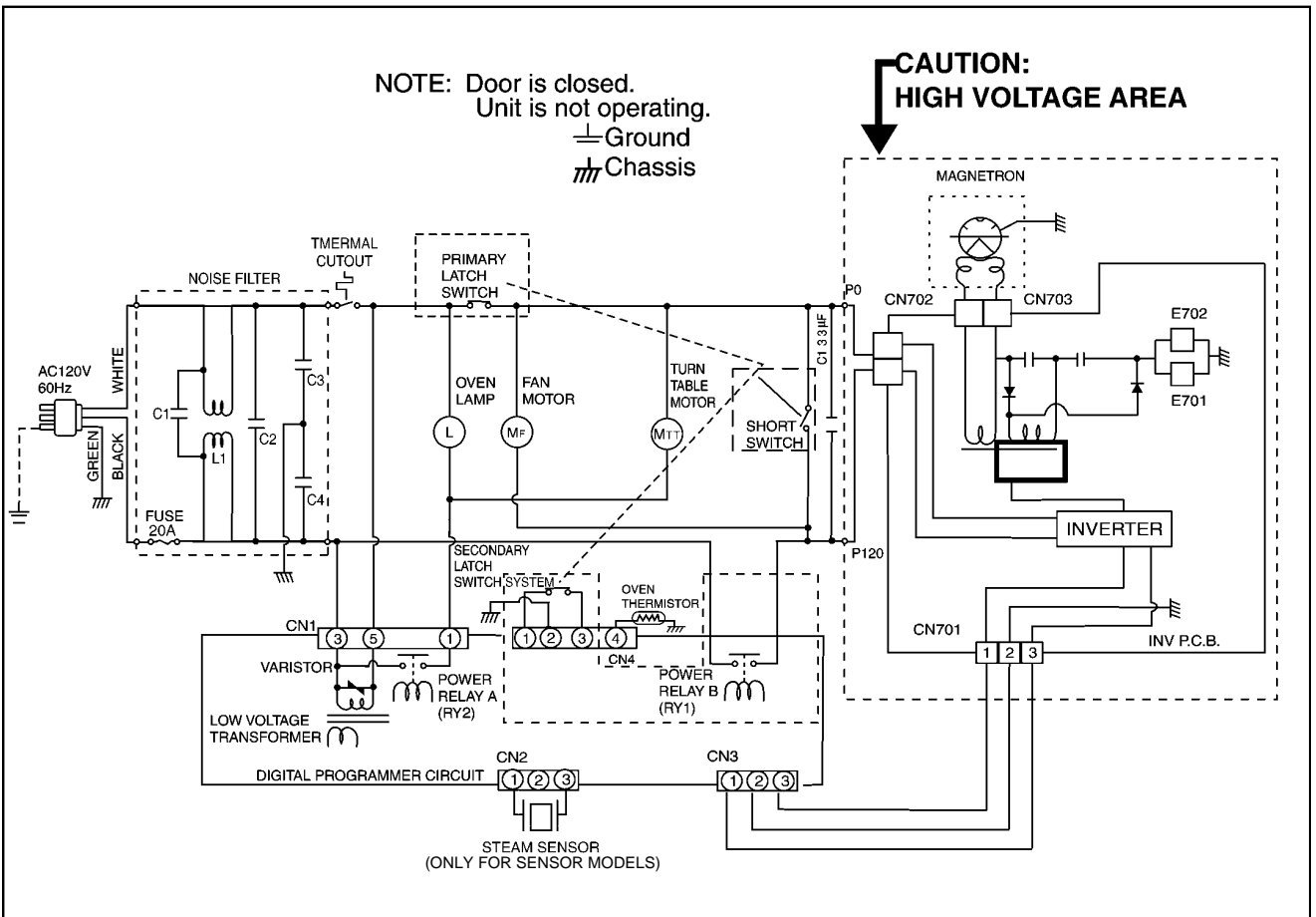
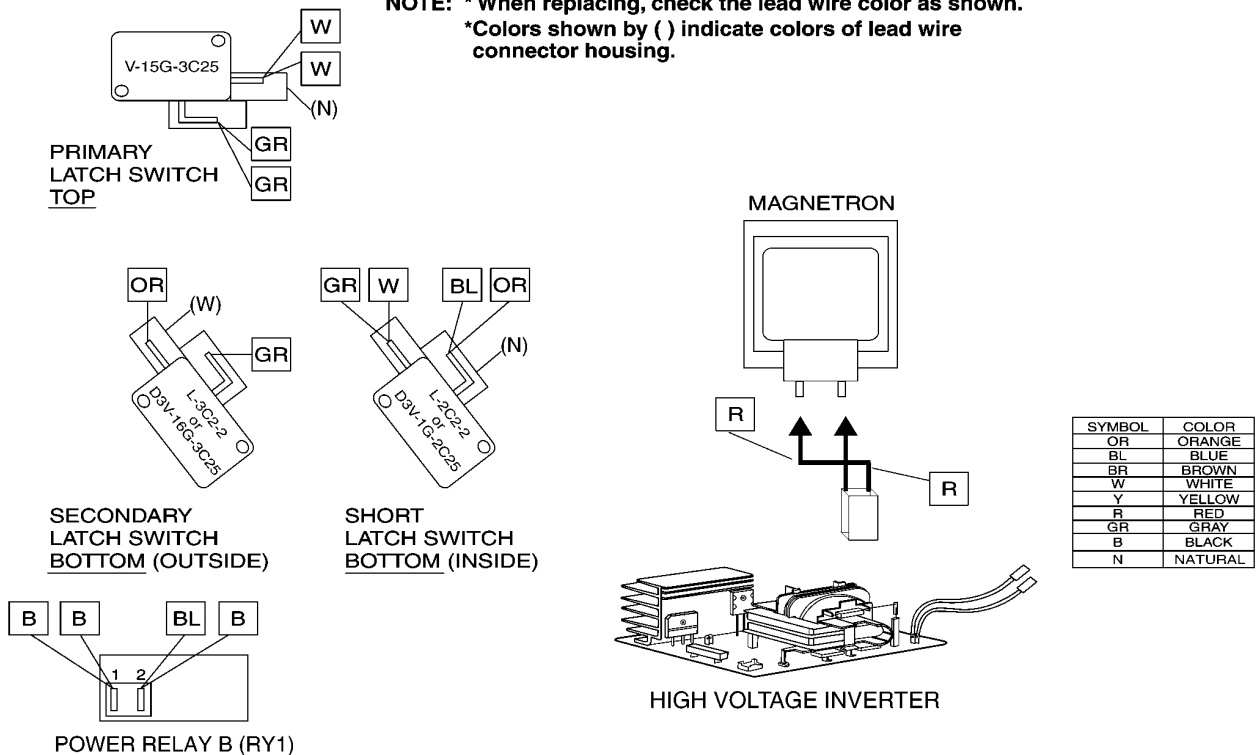


# EXHIBIT: D SCHEMATIC DIAGRAM NN-H765 (1.6cft.)



## WIRING DIAGRAM (APH)

NOTE: \* When replacing, check the lead wire color as shown.  
\* Colors shown by ( ) indicate colors of lead wire connector housing.



# EXHIBIT D: Schematic Diagram (Inverter Power Supply)

