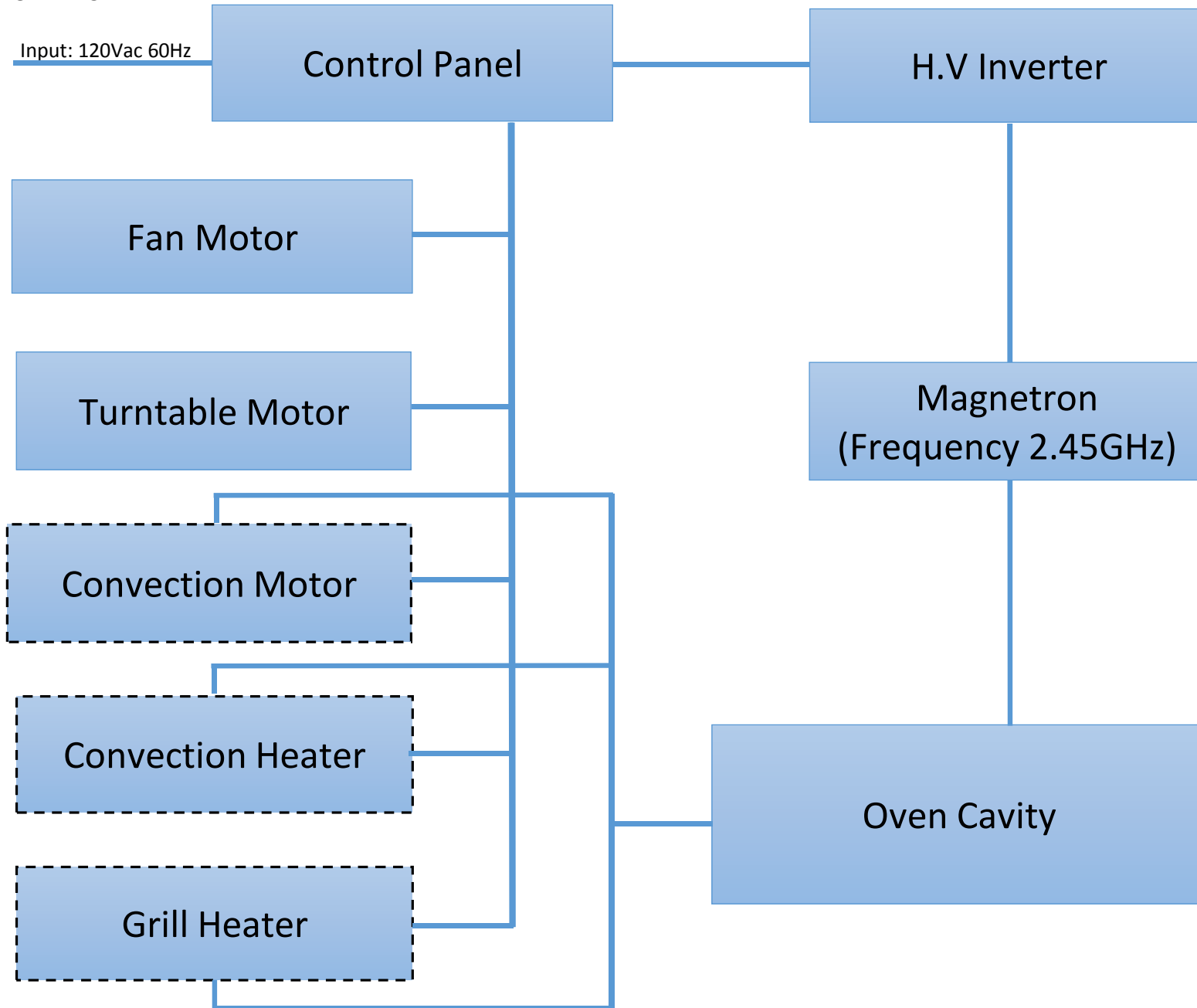


# Block Diagram

FCC ID: ACLAP7B51



Note Components outlined with a dotted line are optional and may not be provided in this model family.