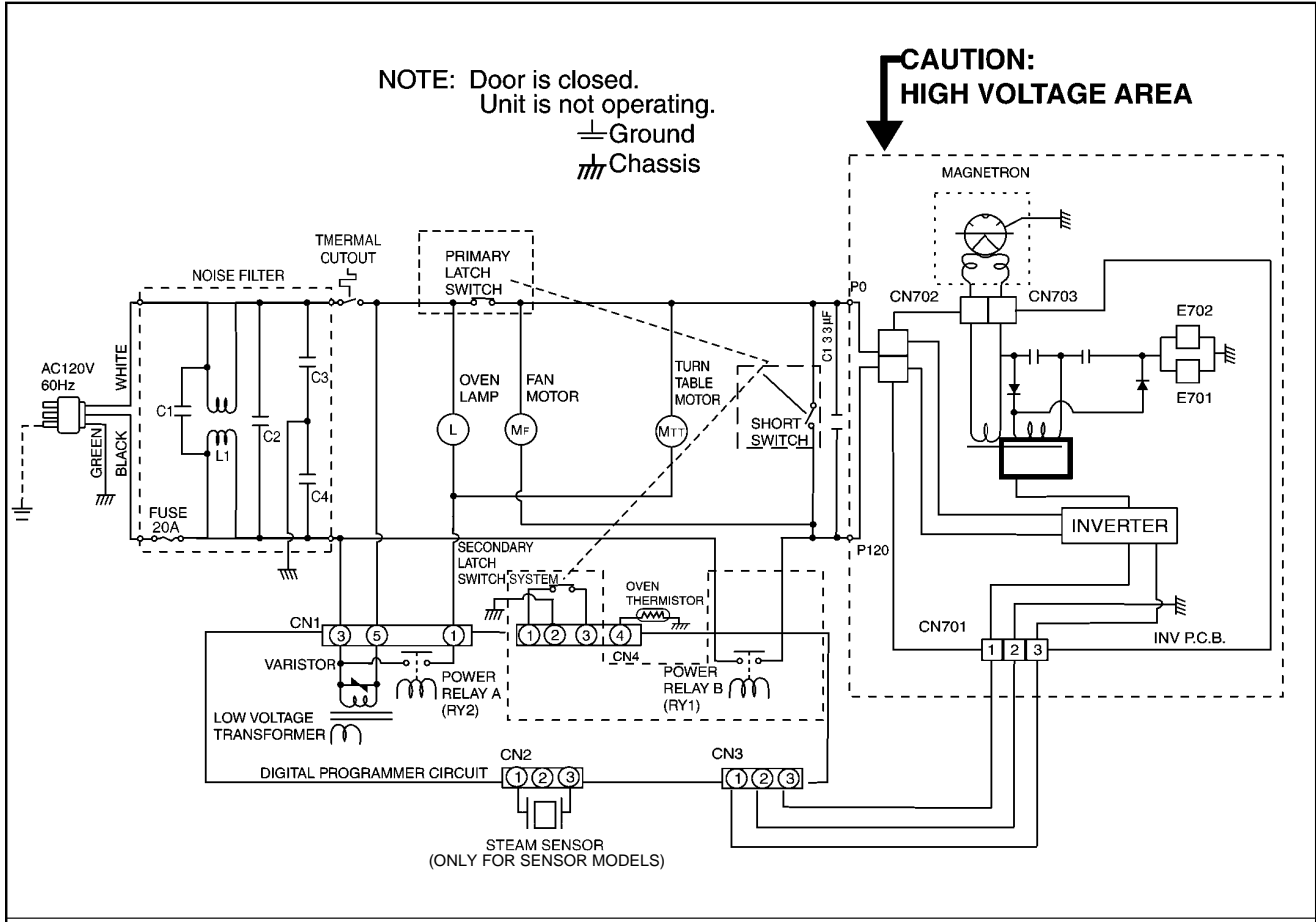


EXHIBIT: C SCHEMATIC DIAGRAM NN-H965 (2.2cft.)



WIRING DIAGRAM (APH)

NOTE: * When replacing, check the lead wire color as shown.
* Colors shown by () indicate colors of lead wire connector housing.

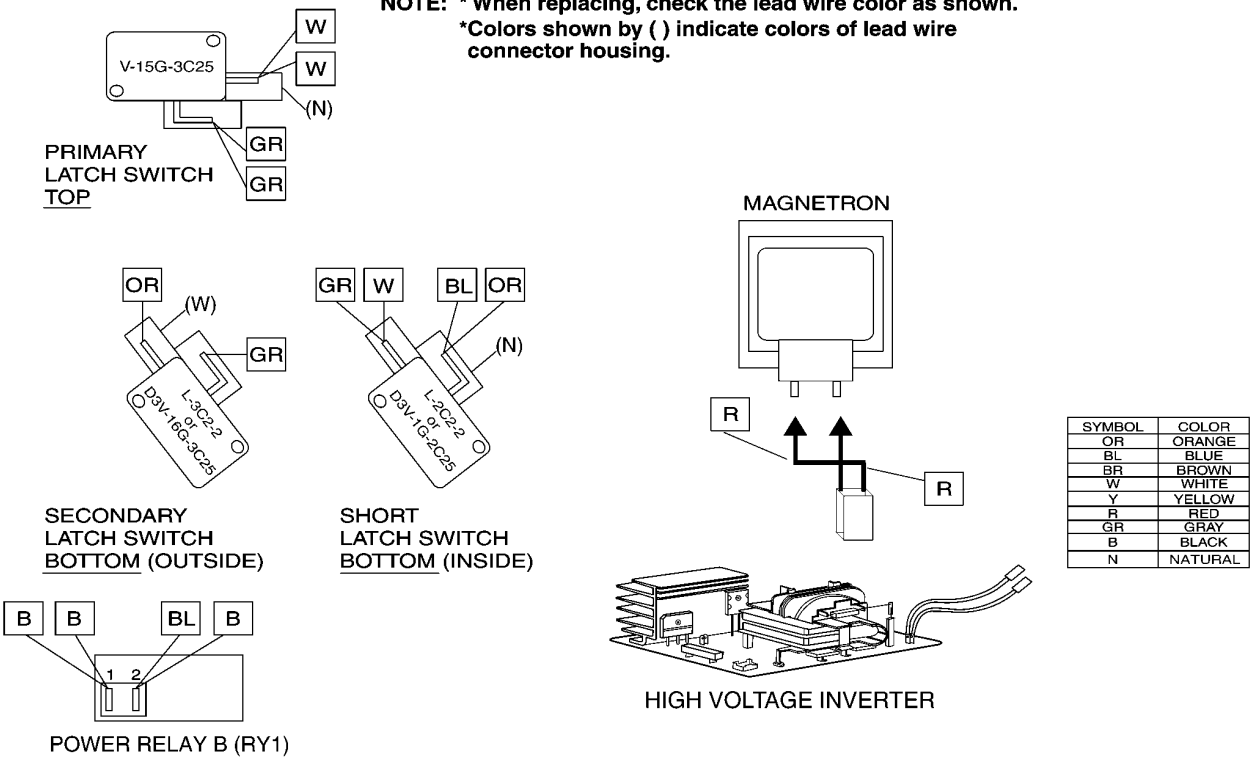
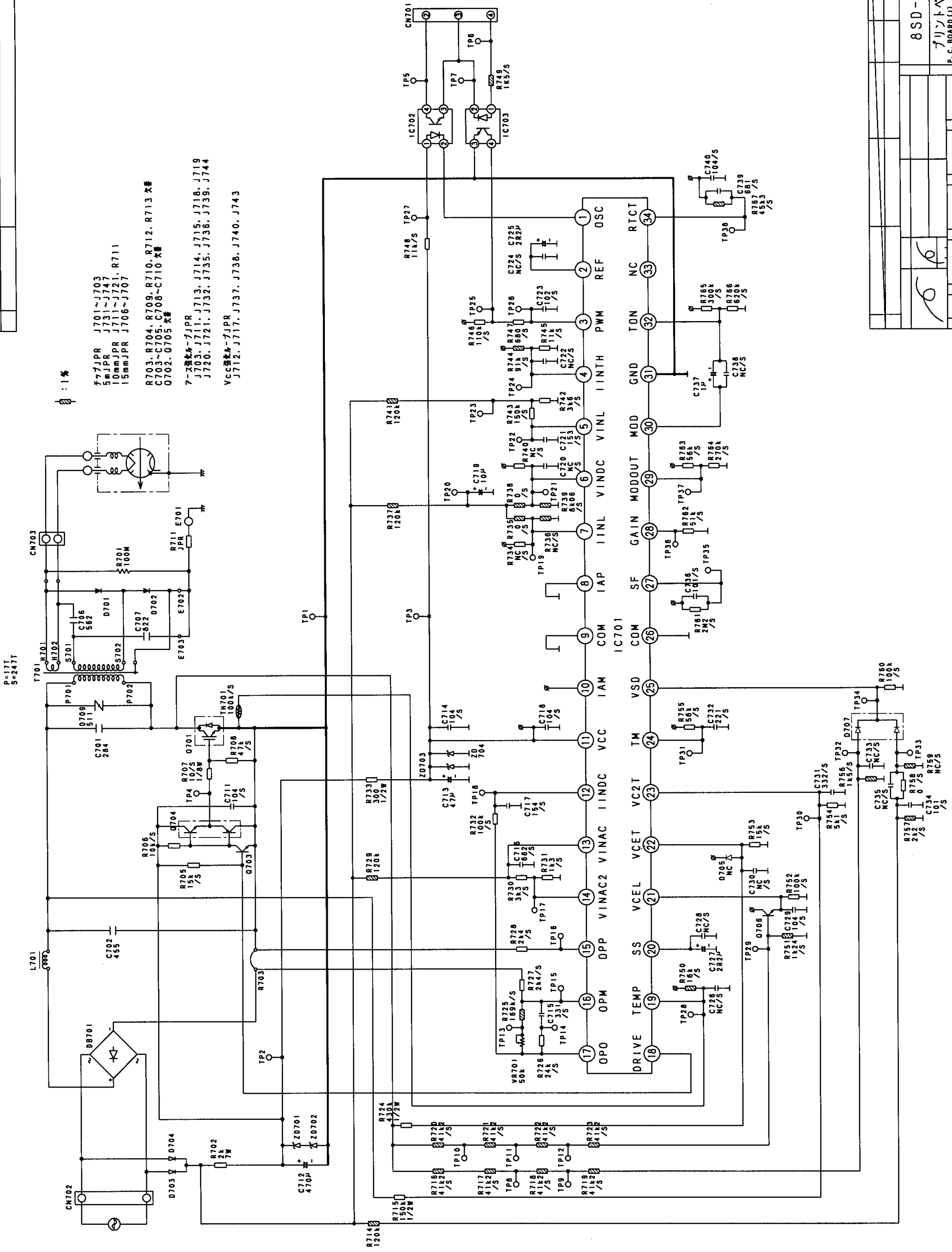


EXHIBIT C : Schematic Diagram (Inverter Power Supply)



8SD-8M00-1

プリントベースJUU回路図
P. C. BOARD (J) SCHEMATIC DIAGRAM

AS07C
F607C

Y. Adachi	H. Moriyasu	K. Kawabata
06.11.17	06.11.17	06.11.17