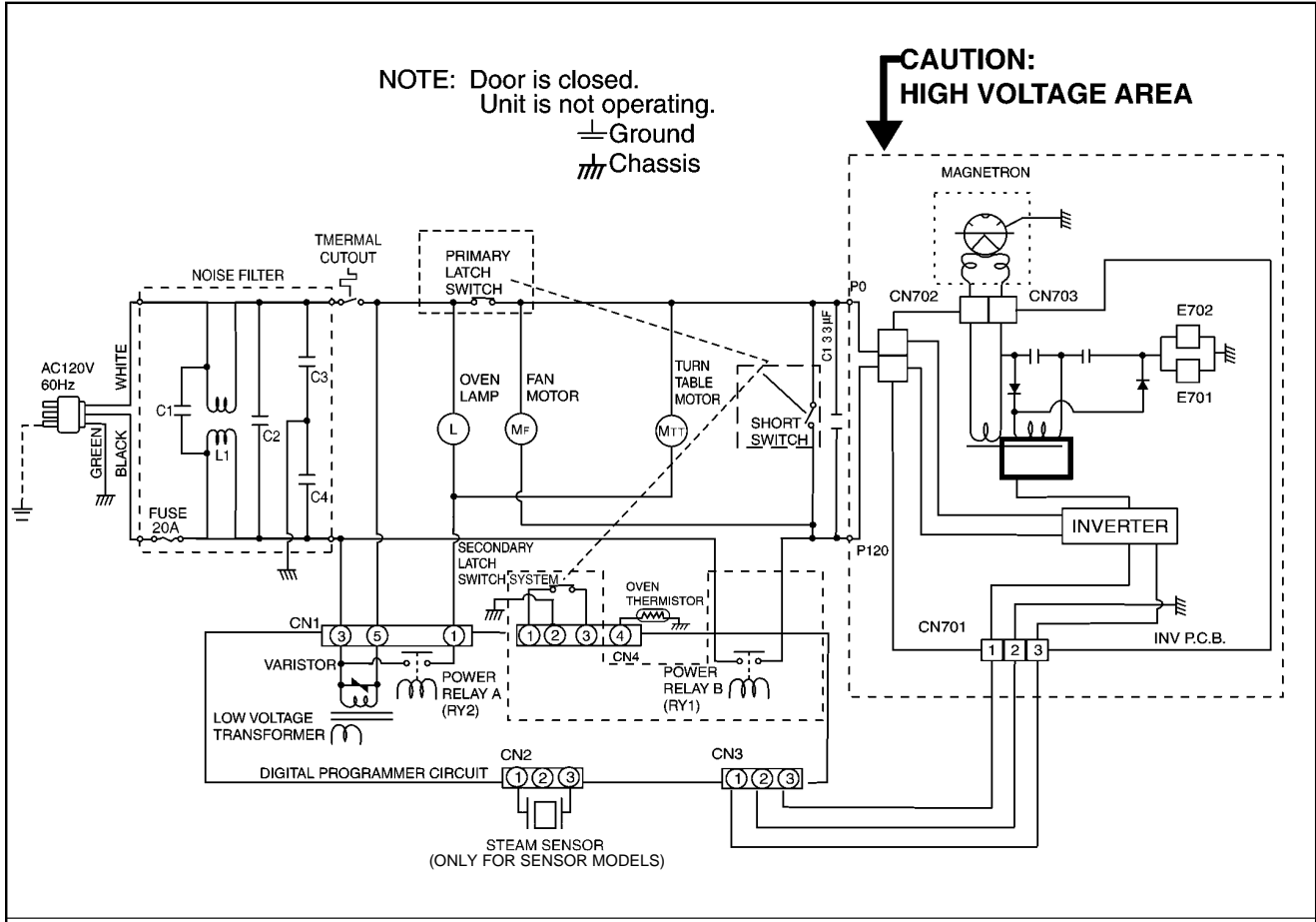


EXHIBIT C –Schematics/Parts List

Not Available at Time of Test

Reference the Following Pages below for Schematic Diagram

EXHIBIT: C SCHEMATIC DIAGRAM NN-H965 (2.2cft.)



WIRING DIAGRAM (APH)

NOTE: * When replacing, check the lead wire color as shown.
* Colors shown by () indicate colors of lead wire connector housing.

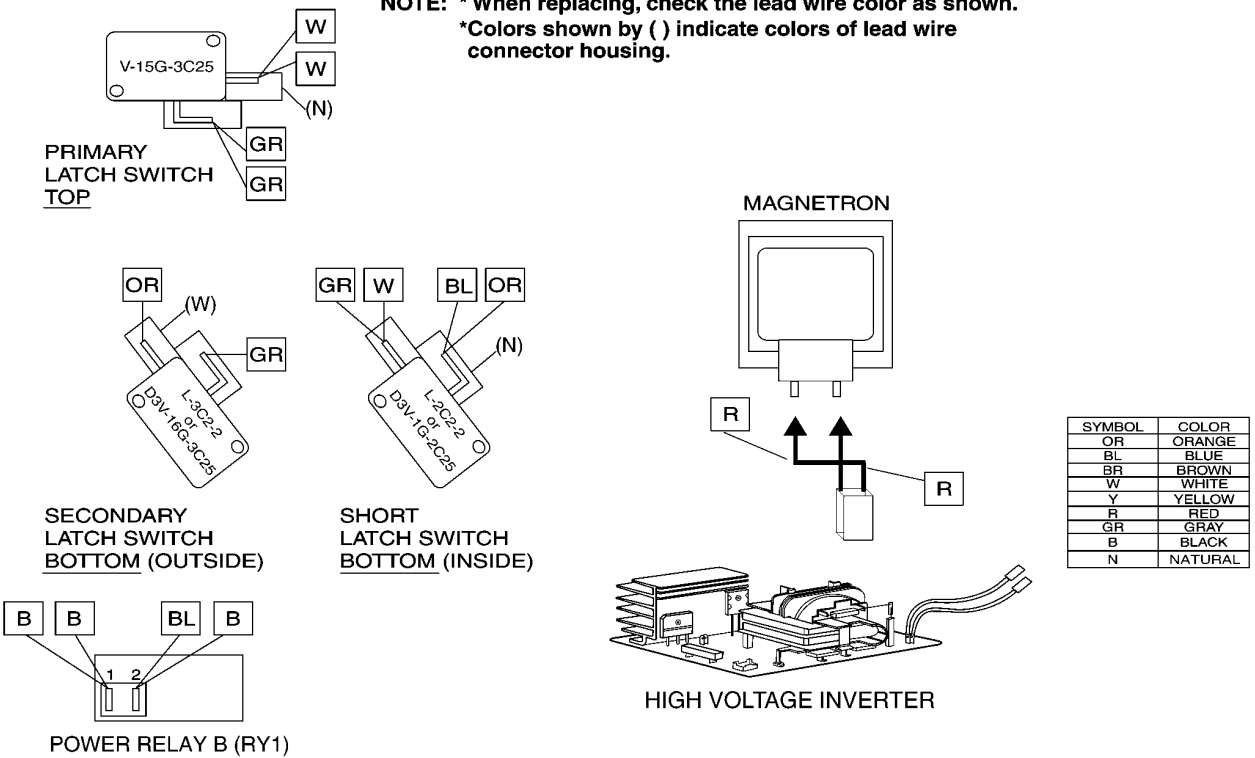


EXHIBIT C: Schematic Diagram (Inverter Power Supply)

