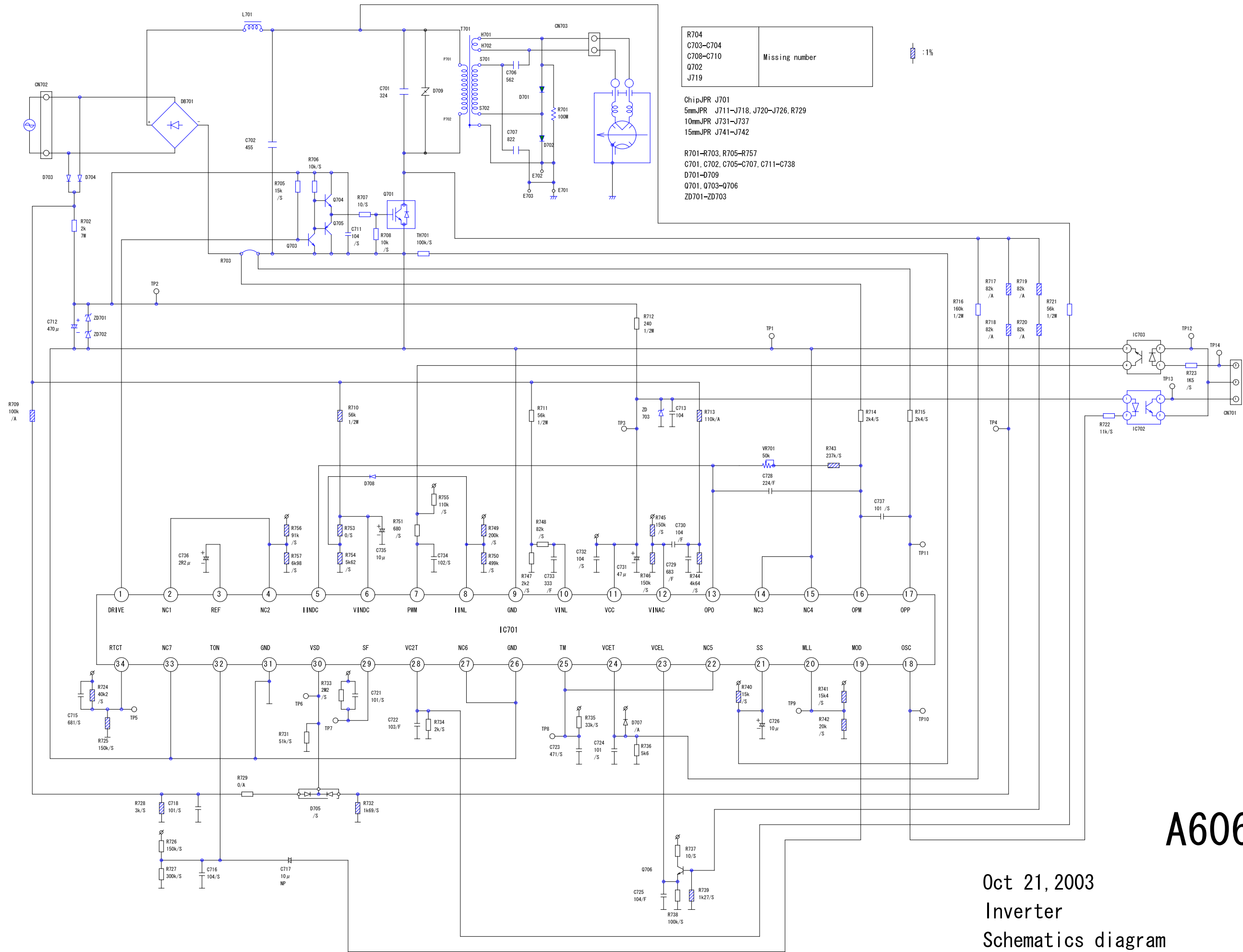


R704	Missing number
C703-C704	
C708-C710	
Q702	
J719	

ChipJPR J701
 5mmJPR J711-J718, J720-J726, R729
 10mmJPR J731-J737
 15mmJPR J741-J742

R701-R703, R705-R757
 C701, C702, C705-C707, C711-C738
 D701-D709
 Q701, Q703-Q706
 ZD701-ZD703

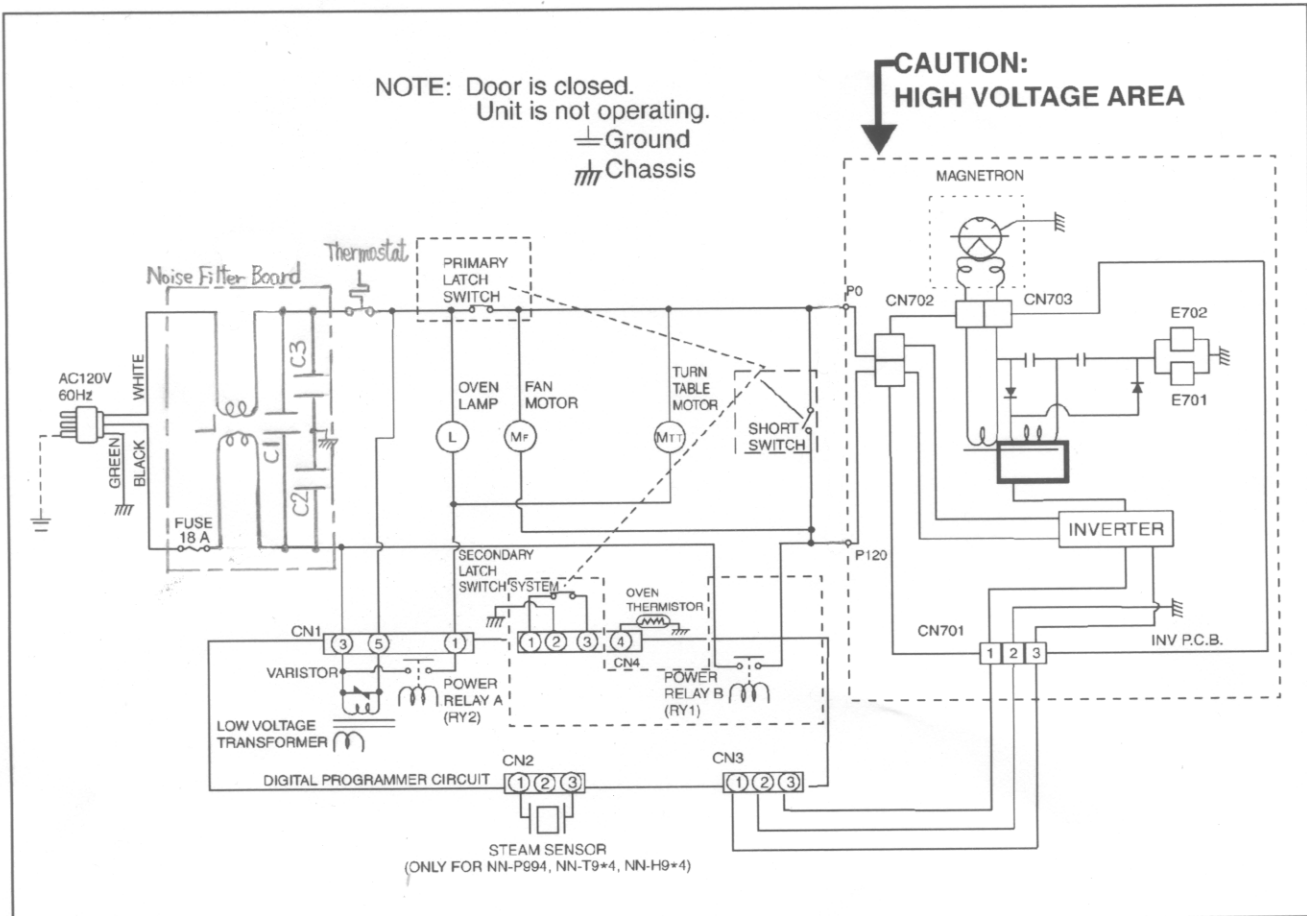


A606Y6G0

Oct 21, 2003
 Inverter
 Schematics diagram

1 SCHEMATIC DIAGRAM

1.1. APH NN-H965 (2.2 cft)



WIRING DIAGRAM (APH)

NOTE: * When replacing, check the lead wire color as shown.
* Colors shown by () indicate colors of lead wire connector housing.

