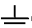



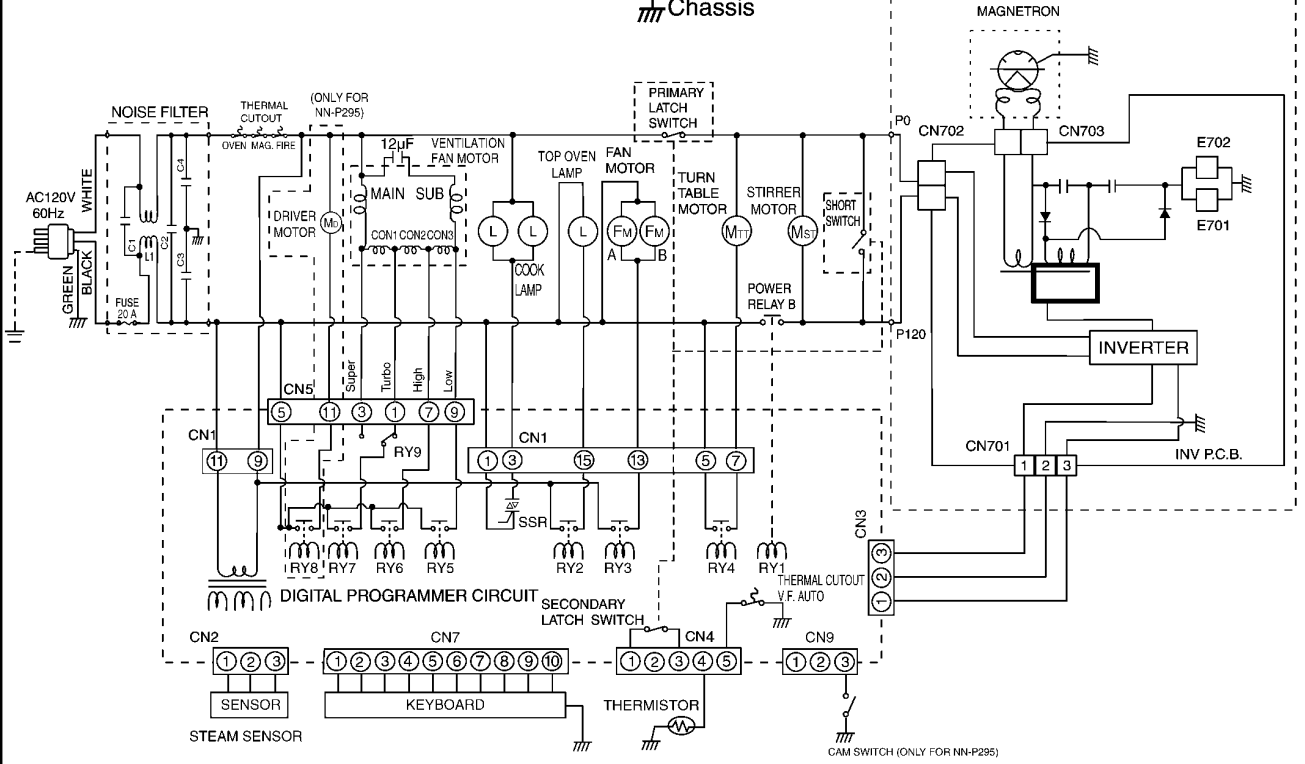
EXHIBIT: D

SCHEMATIC DIAGRAM

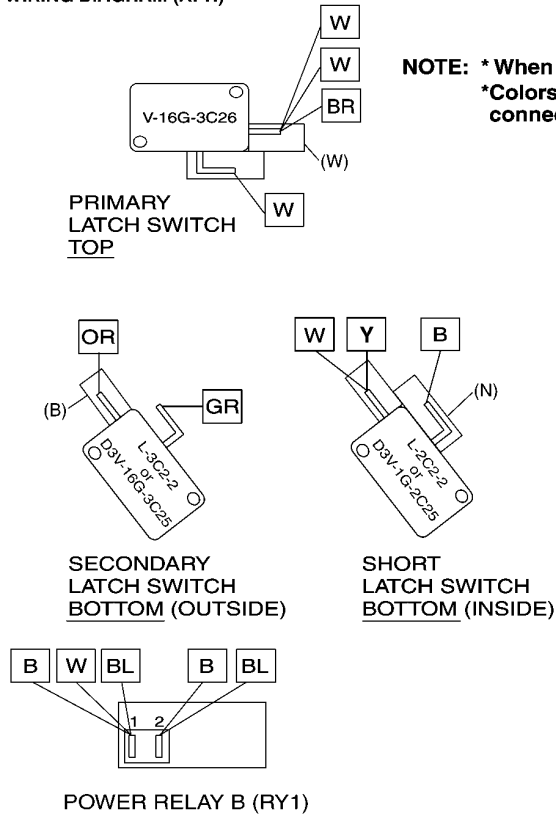
NN-SD297 (Over The Range)

NOTE: Door is closed.
Unit is not operating.
 Ground
 Chassis

CAUTION:
HIGH VOLTAGE AREA



WIRING DIAGRAM (APH)



NOTE: * When replacing, check the lead wire color as shown.
* Colors shown by () indicate colors of lead wire connector housing.

NEW H.V.


CAUTION: H.V.

SYMBOL	COLOR
OR	ORANGE
BL	BLUE
BR	BROWN
W	WHITE
Y	YELLOW
R	RED
GR	GRAY
B	BLACK
N	NATURAL

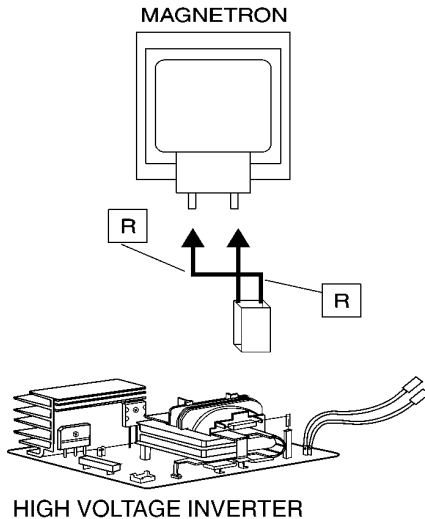


EXHIBIT D: Schematic Diagram (Inverter Power Supply)

