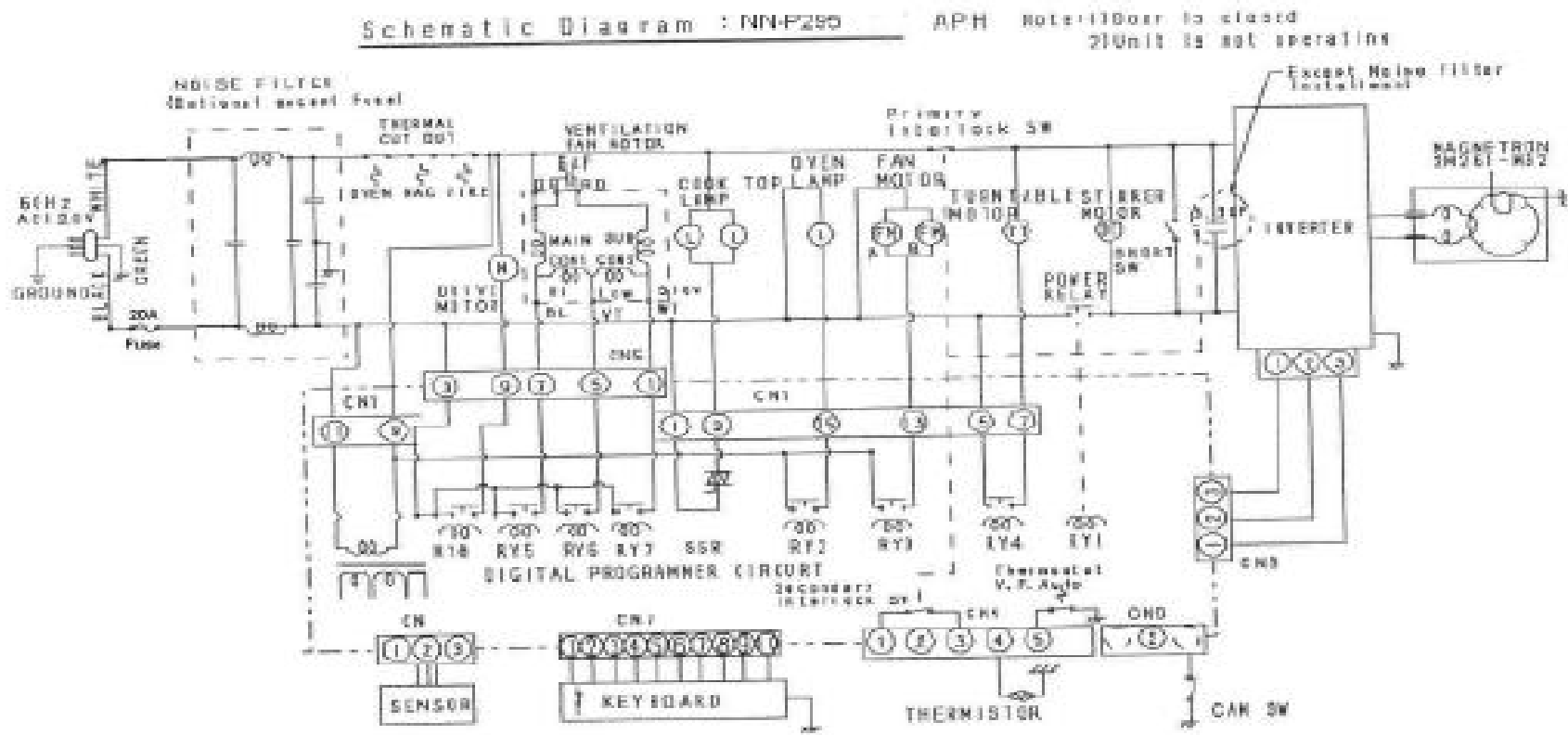
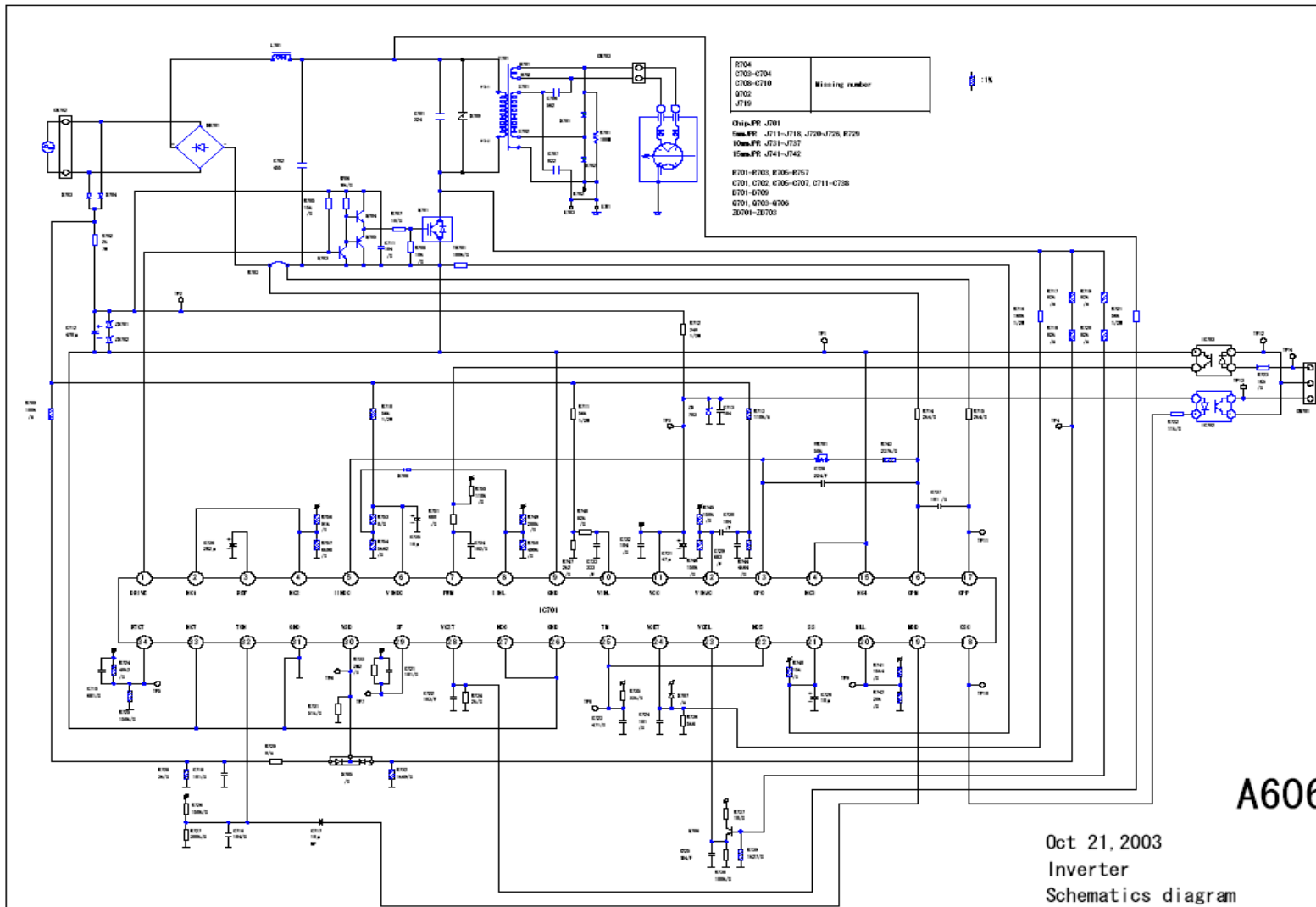


EXHIBIT 4A  
ACLAP6Z01

Schematic Diagram NN-P295



**EXHIBIT 4B  
ACLAP6Z01**



DIGITAL PROGRAMMER CIRCUIT

