

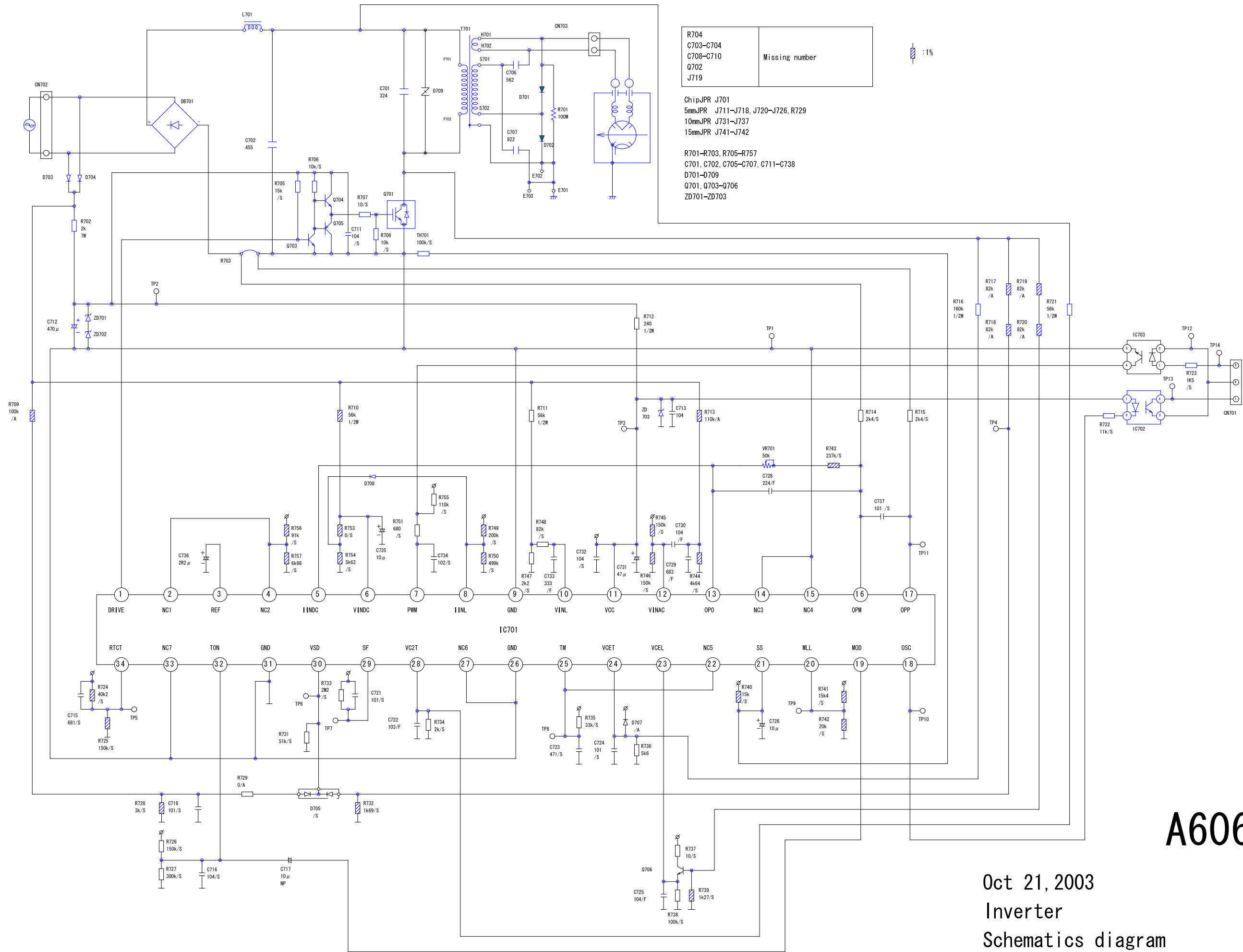
R704  
C703-C704  
C708-C710  
Q702  
J719

Missing number

: 1%

ChipJPR J701  
5mmJPR J711-J718, J720-J726, R729  
10mmJPR J731-J737  
15mmJPR J741-J742

R701-R703, R705-R757  
C701, C702, C705-C707, C711-C738  
D701-D709  
Q701, Q703-Q706  
ZD701-ZD703



# A606Y6G0

Oct 21, 2003  
Inverter  
Schematics diagram

Oven Schematic Diagram

Schematic Diagram : AP/RP (Browner) | NN-G464

Note: Door is closed  
Unit is not operating

Ground  
Chassis

