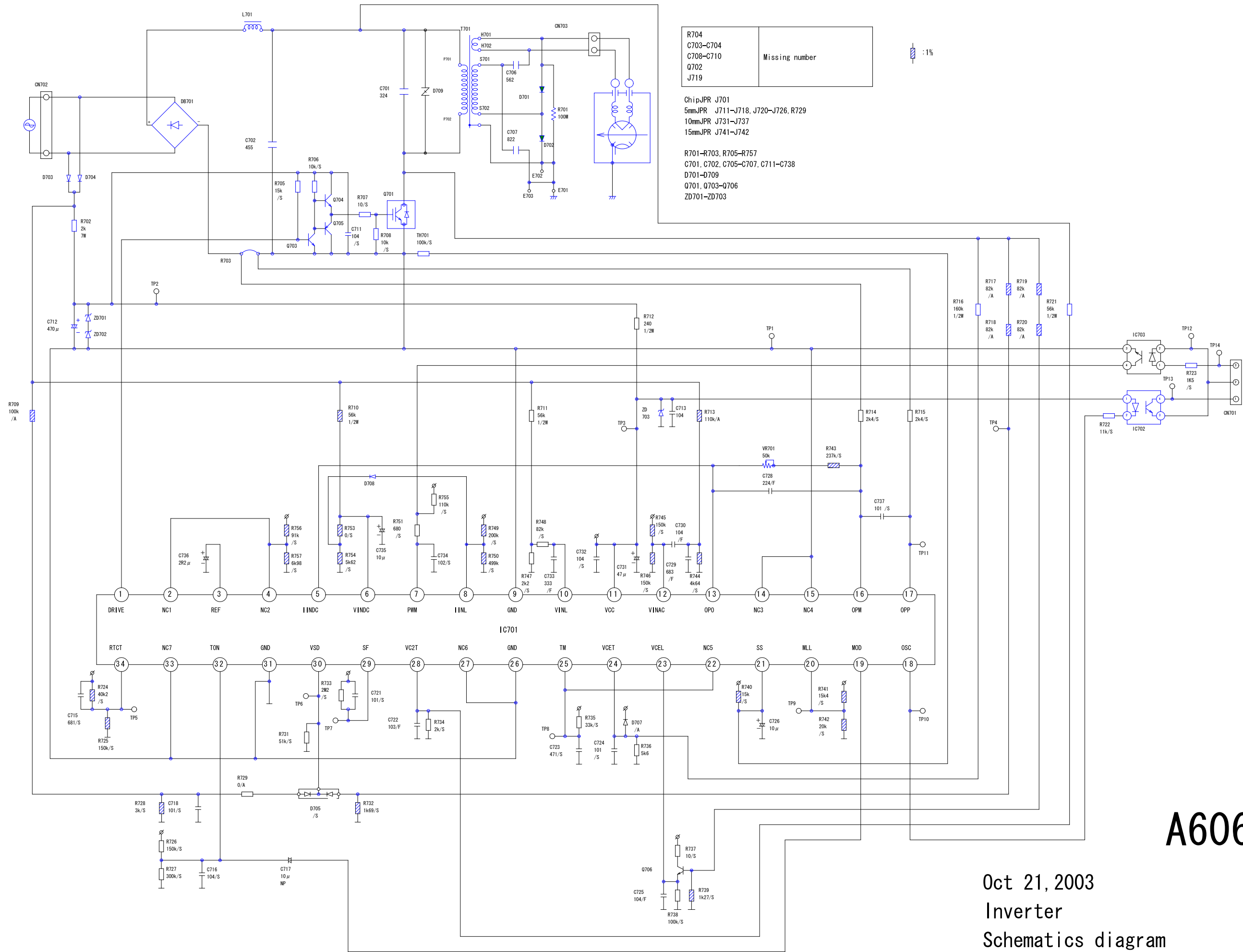


R704	Missing number
C703-C704	
C708-C710	
Q702	
J719	

ChipJPR J701  
 5mmJPR J711-J718, J720-J726, R729  
 10mmJPR J731-J737  
 15mmJPR J741-J742

R701-R703, R705-R757  
 C701, C702, C705-C707, C711-C738  
 D701-D709  
 Q701, Q703-Q706  
 ZD701-ZD703

: 1%



# A606Y6G0

Oct 21, 2003  
 Inverter  
 Schematics diagram

Oven Schematic Diagram NN-S954WF

