

Panasonic

HOUSEHOLD MICROWAVE OVEN

Type S333

MODEL NO.

NN-S954WF

SERIAL NO.
PP000C1

MANUFACTURED
November 2003

FCC ID: ACLAP6G01
SIMMC

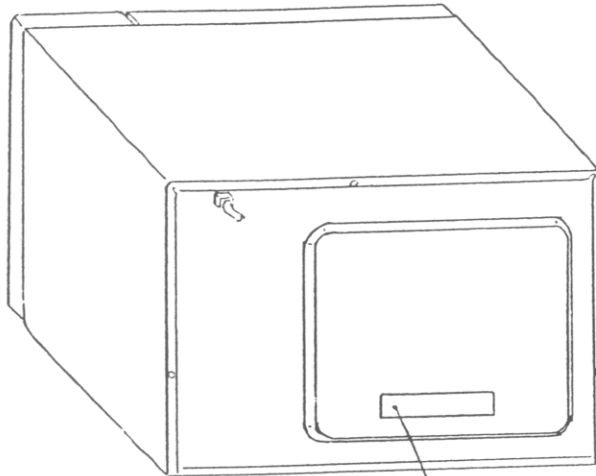
FOR USE ON 60 Hz, 120 VOLTS AC ONLY, 12.7AMPS (MICROWAVE)
DISTRIBUTED BY PANASONIC CONSUMER ELECTRONICS COMPANY
DIVISION OF MATSUSHITA ELECTRIC CORPORATION OF AMERICA
SECAUCUS, N. J. 07094

MADE IN CHINA

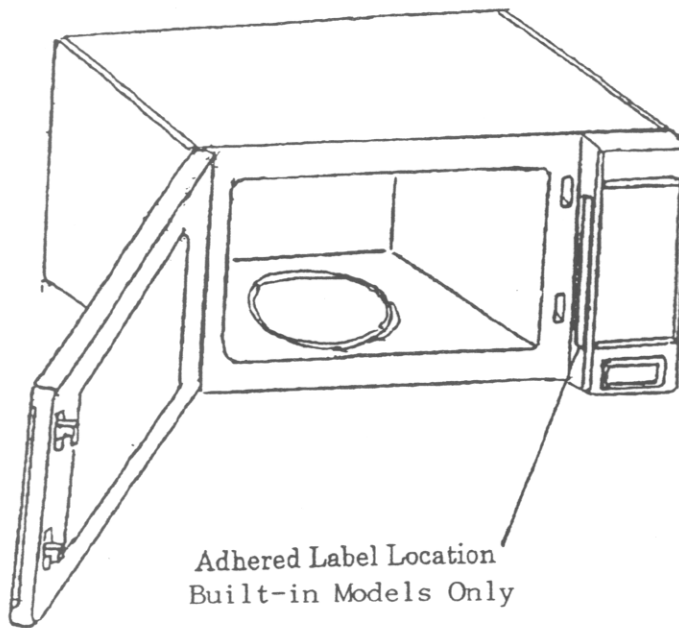


SIMMC: Code identifies location of Manufacturer

SIMMC denotes Shanghai Matsushita
Microwave Oven Company
Shanghai, China 201203

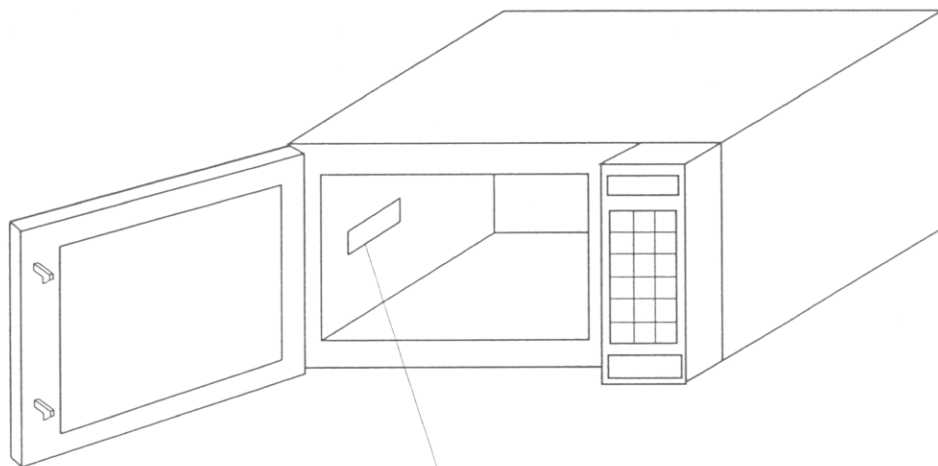


Adhered Label Location



Adhered Label Location
Built-in Models Only

GENERAL ELECTRIC CO. LOUISVILLE, KY. 40225		
HOUSEHOLD MICROWAVE OVEN		
MODEL NO. JES2251WJ01	SERIAL NO. PP5001	MANUFACTURED NOVEMBER, 2003
KW: 1.46 (M/W) VAC/Hz: 120/60	WARRANTY: 1 YEAR LIMITED CARRY IN	FCC ID: ACLAP6G01 MADE IN CHINA DHHS CODE NO.: AP6G01
THIS PRODUCT COMPLIES WITH DHHS RULES 21 CFR SUBCHAPTER J. P/NO. F00076P40HAG		



Adhered Label location
for GE models