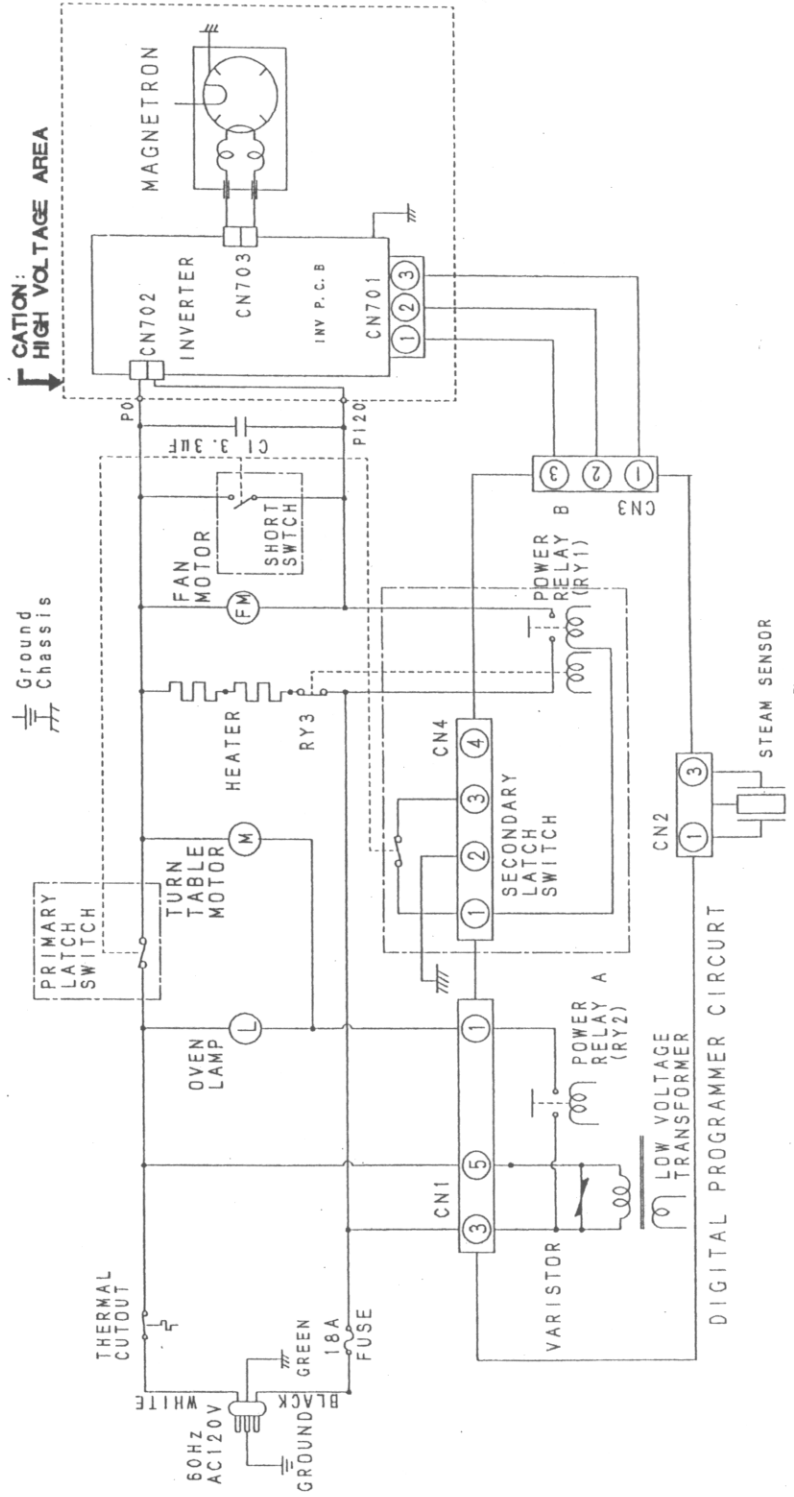


Oven Schematic Diagram NN-G463

Schematic Diagram : AP/RP (Browner) NN-G 463

Note: Door is closed
Unit is not operating

Ground Chassis



CAUTION: HIGH VOLTAGE AREA

Inverter Supply Schematin NN-G463

