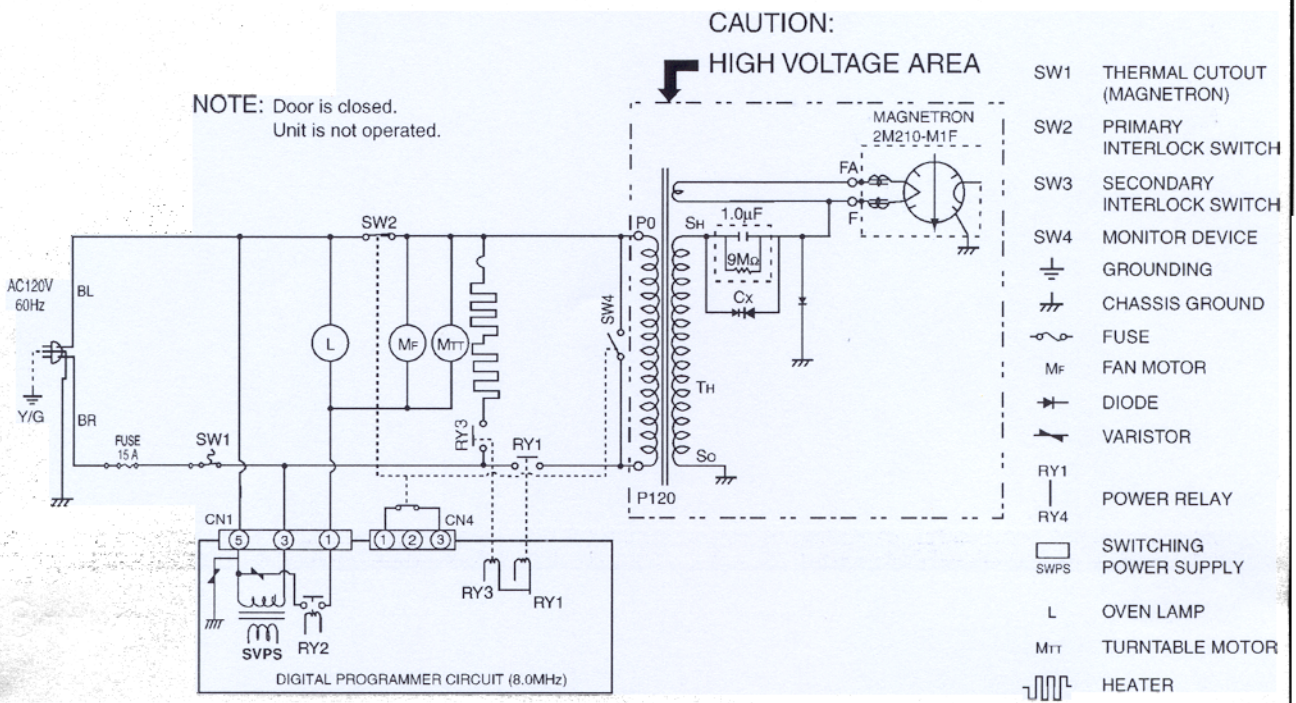


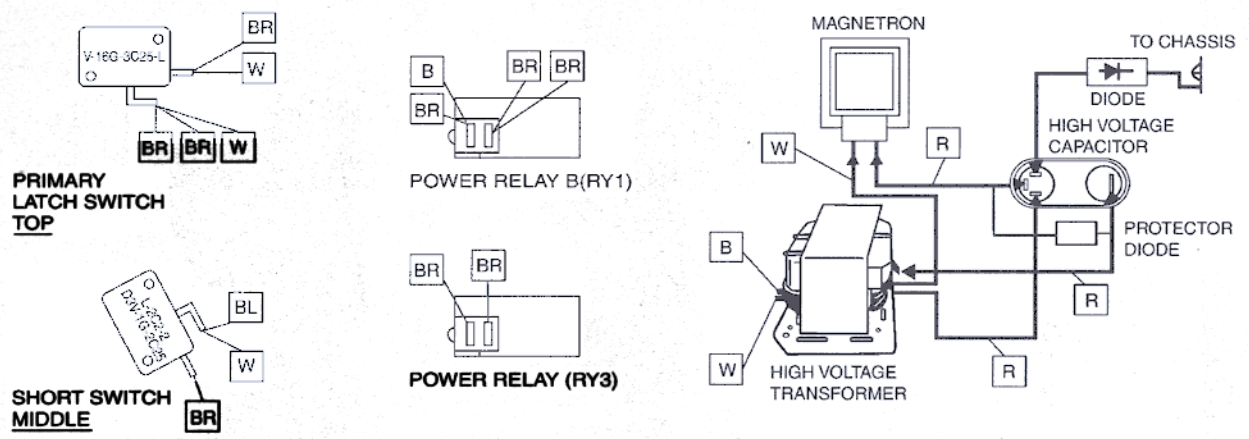
4 SCHEMATIC DIAGRAM (APH & RPH)



IMPORTANT SAFETY NOTICE: POTENTIALS ABOVE 120V IS PRESENT ON THE PARTS AND WIRING IN SECONDARY CIRCUIT OF HIGH VOLTAGE TRANSFORMER. WHEN OVEN IS ENERGIZED. EXTREMELY CARE SHOULD BE TAKEN DURING REPAIR.

WIRING DIAGRAM

NOTE: * When replacing, check the lead wire colour as shown.
* Colours shown by () indicate colours of lead wire connector housing.



| SYMBOL | COLOR |
|--------|--------|
| OR | ORANGE |
| BL | BLUE |
| BR | BROWN |
| W | WHITE |
| Y | YELLOW |
| R | RED |
| GR | GRAY |
| B | *BLACK |

S-5G6

19 DIGITAL PROGRAMMER CIRCUIT

SCHEMATIC DIAGRAM

