

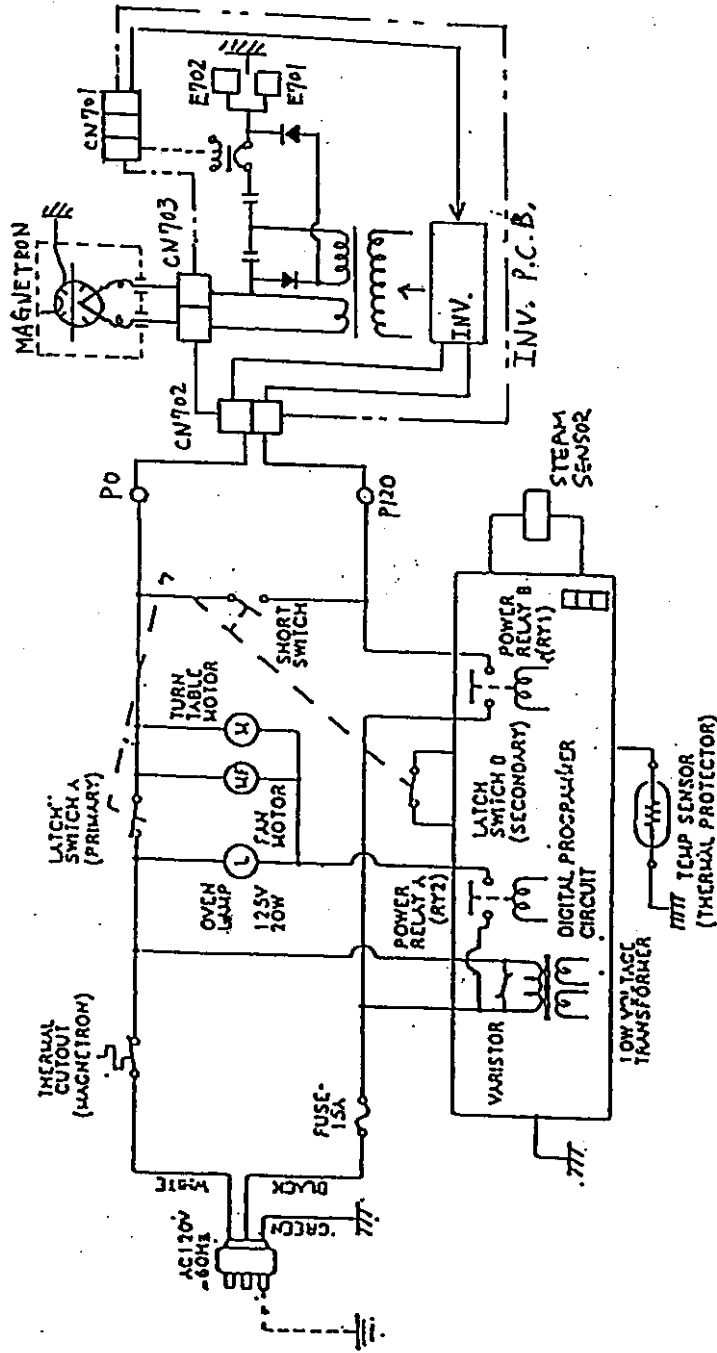
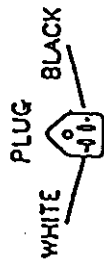
本体回路図

Exhibit 4A

ACLAP4P01

NOTE: Door is closed.
Unit is not operated.

Ground
Chassis



行番	△	△	△	△	△	△	作成	制定
年・月・日		
印刷・捺印								

A607C4A0-AP

P. C. BOARD (J)
SCHEMATIC DIAGRAM

