

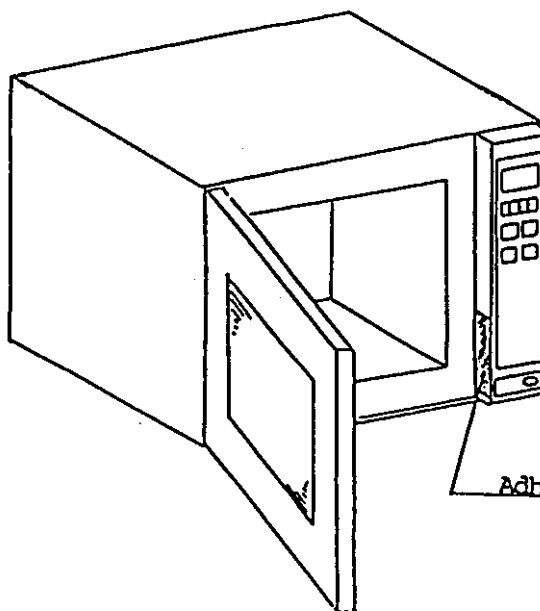
EXHIBIT 3

DRAWING AND LOCATION OF FCC LABEL

MFG. BY MATSUSHITA HOME APPLIANCE  
CORPORATION OF AMERICA  
DANVILLE KY U.S.A. 40423  
ASSEMBLED IN U.S.A.  
FROM U.S. AND FOREIGN  
COMPONENTS TYPE BB 800078642AP

PAT. NO. 1,549,515  
FOR USE ON 115V AC  
100 VOLTS AC ONLY

**Panasonic** HOUSEHOLD MICROWAVE OVEN (UL LISTED 200X)  
MODEL NO. NN-5985BA SERIAL NO. PF529200001  
MANUFACTURED OCTOBER 1998  
FCC ID: ACLAP4M01  
PANASONIC



Adhered label location