

EXHIBIT C: SCHEMATIC DIAGRAM

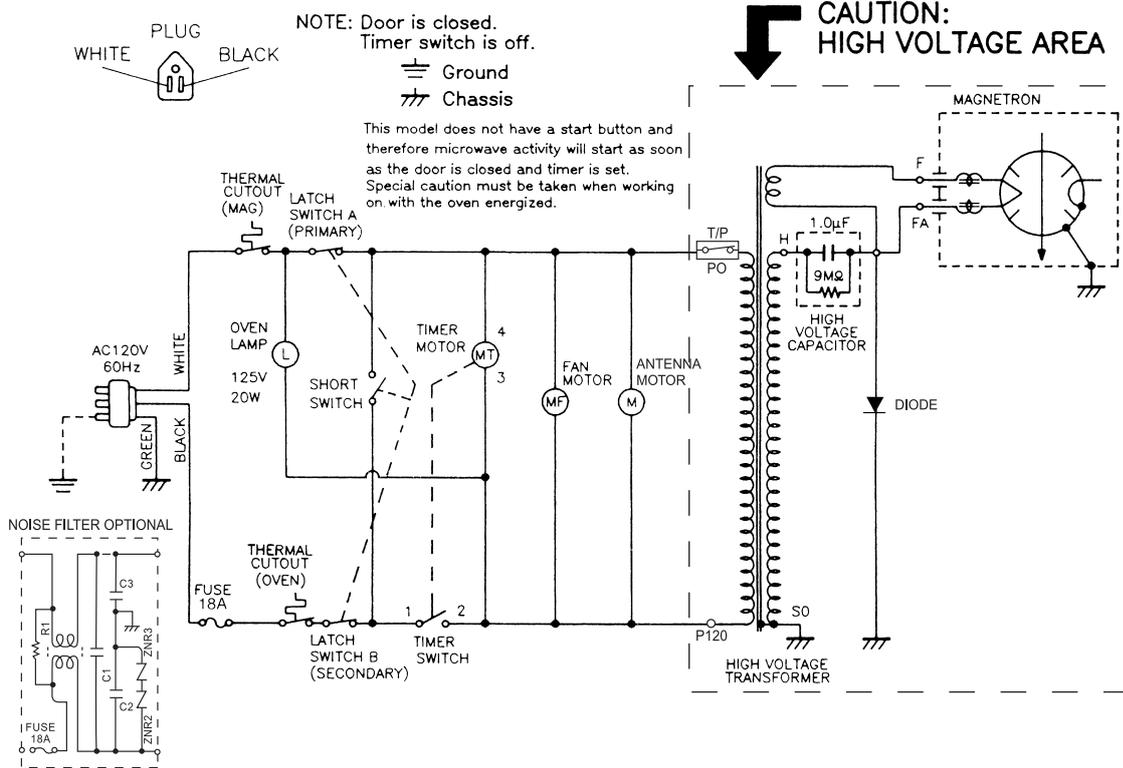
EXHIBIT C –Schematics/Parts List

Not Available at Time of Test

Reference the Following Pages Below for Schematic Diagram

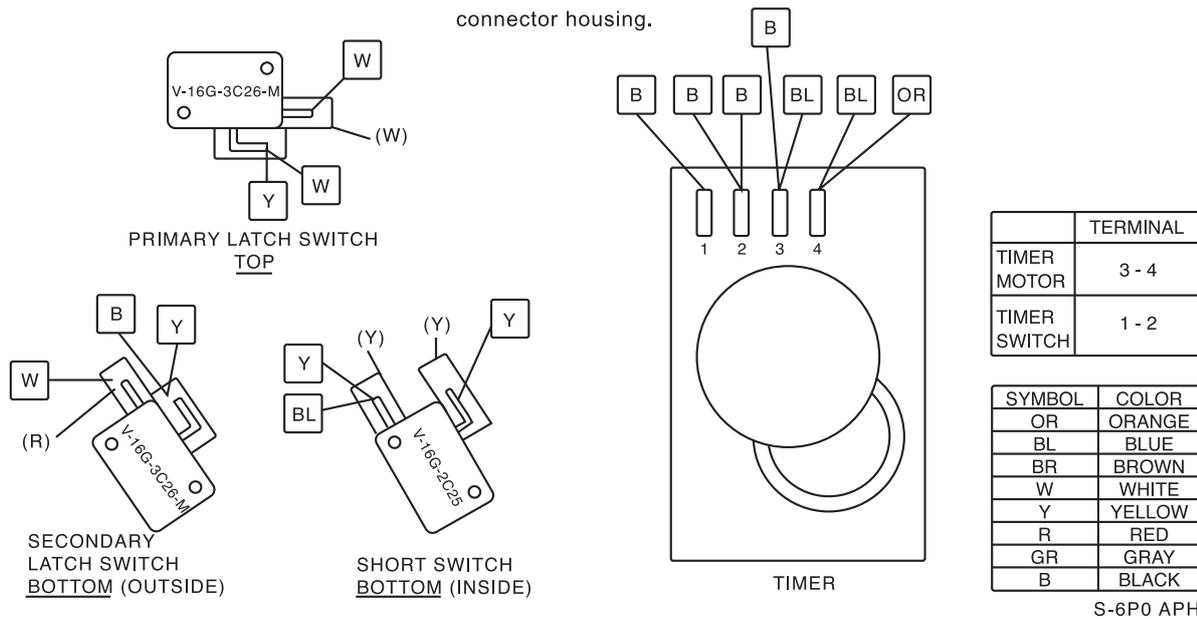
EXHIBIT C

SCHEMATIC DIAGRAM NE-1024



WIRING DIAGRAM

NOTE: *When replacing, check the lead wire color as shown.
*Colors shown with () indicate colors of lead wire connector housing.

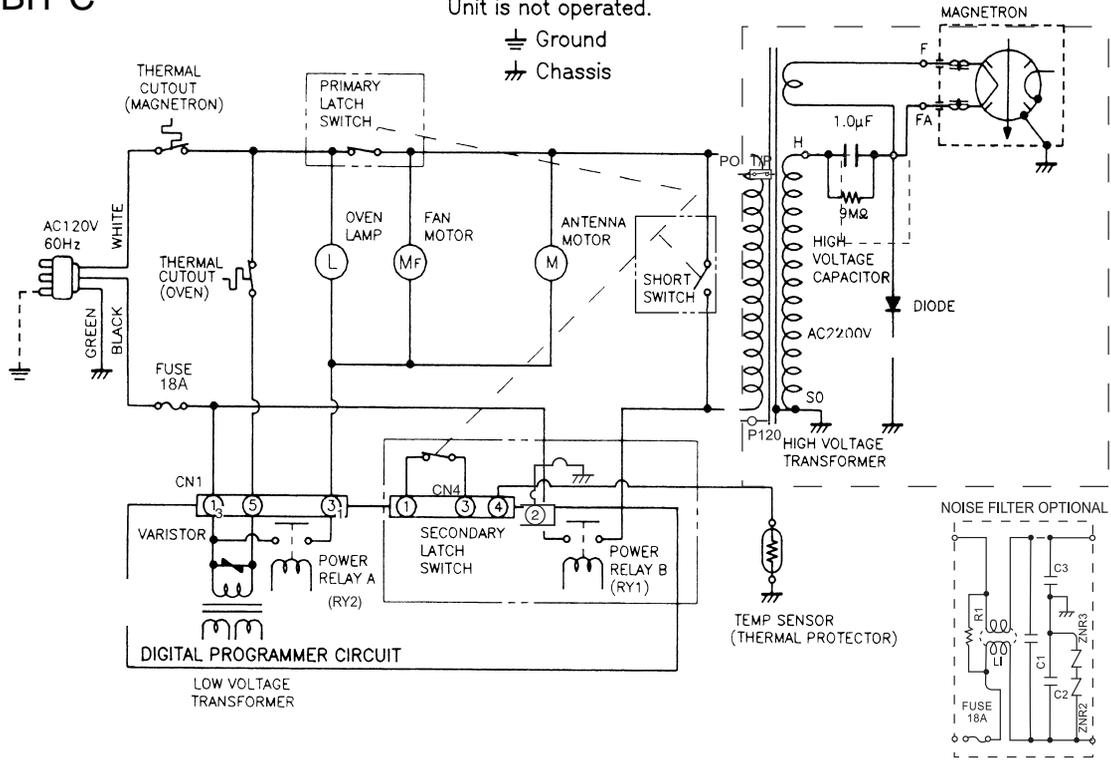


SCHEMATIC DIAGRAM NE-1054, NE-1064

EXHIBIT C

NOTE: Door is closed.
Unit is not operated.

CAUTION:
HIGH VOLTAGE AREA



WIRING DIAGRAM

NOTE: *When replacing, check the lead wire color as shown.
*Colors shown with () indicate colors of lead wire connector housing.

