



OPERATING INSTRUCTIONS Read Me First Personal Computer

Model No. **FZ-55** series

Contents

Read Me First / Lecture préliminaire

Safety Precautions / Mesures de sécurité 2

Regulatory Information / Informations réglementaires..... 11

Getting Started

Before Turning on the Computer 21

First-time Operation..... 22

Appendix

Software License 26

Trademarks 27

■ Terms and illustrations in these instructions

In these instructions, the names and terms are referred as follows.

- “Windows 11 Pro” as “Windows” or “Windows 11”
- This manual explains operation procedures using the touchpad or mouse as typical examples.

In addition, you can touch the display screen to operate the computer.

When using the touch operation, please replace the terms as described below, and read the instructions.

Operation terms to be replaced:

- Click → Touch

 - [Settings]: Click  (Start) and then click [Settings].

 : Page in these Operating Instructions.

 : Reference to the on-screen manuals.

Please read these instructions carefully before using this product, and save this manual for future use. Update the on-screen manuals.

Veuillez lire attentivement ces instructions avant d'utiliser ce produit et conservez ce manuel pour une prochaine utilisation. Mettez à jour les manuels qui figurent à l'écran.

Safety Precautions

To reduce the risk of injury, loss of life, electric shock, fire, malfunction, and damage to equipment or property, always observe the following safety precautions.

DANGER

Precautions on the Battery Pack

Electrolyte leakage, generation of heat, ignition or rupture of the Battery Pack may result.

- **Do Not Throw the Battery Pack into a Fire or Expose It to Excessive Heat**
- **Do Not Deform, Disassemble, or Modify the Battery Pack**
- **Do Not Short the Positive (+) and Negative (-) Contacts**
 - ⇒ Do not place the battery pack together with articles such as necklaces or hairpins when carrying or storing.
- **Do Not Apply Shocks to the Product by Dropping It, Applying Strong Pressure to It, etc.**
 - ⇒ If this product is subjected to a strong impact, remove the battery pack from the computer immediately.
- **Do Not Charge the Battery Using Methods Other Than Those Specified**
- **Do Not Use the Battery Pack with Any Other Product**
 - The battery pack is rechargeable and was intended for the specified product.
- **Do Not Use This Product with a Battery Pack Other Than the One Specified**
 - ⇒ Use only the specified battery pack with your product.
- **Avoid Extreme Heat (Near the Fire, in Direct Sunlight, for Example)**
- **When the Battery Pack Has Deteriorated or If Abnormal Swelling Occur, Replace It With a New One**
 - ⇒ Do not continue to use a damaged battery pack.
- **If a Malfunction or Trouble Occurs, Immediately Stop Use**
 - ⇒ If the battery pack appears to be damaged or deformed, or if it emits smoke, abnormal odor, excessive heat, or other abnormality, remove it from the computer immediately.

WARNING

Fire or electric shock may result.

- **Do Not Do Anything That May Damage the AC Cord, the AC Plug, or the AC Adaptor**
 - Do not damage or modify the cord, place it near hot tools, bend, twist, or pull it forcefully, place heavy objects on it, or bundle it tightly.
 - ⇒ Do not continue to use a damaged AC cord, AC plug and AC adaptor.
 - Contact your technical support office for repair.
- **Do Not Connect the AC Adaptor to a Power Source Other Than a Standard Household AC Outlet**
 - ⇒ Connecting to a DC/AC converter (inverter) may damage the AC adaptor. On an airplane, only connect the AC adaptor/charger to an AC outlet specifically approved for such use.
- **Do Not Pull or Insert the AC Plug If Your Hands Are Wet**
- **Do Not Disassemble This Product**
 - No user serviceable parts inside this unit. Refer servicing to qualified technician.
- **Do Not Touch This Product in a Thunderstorm If Connected with the AC Cable or Any Other Cables**
- **Do Not Place Containers of Liquid or Metal Objects on Top of This Product**
 - ⇒ If foreign matter has found its way inside, immediately turn the power off and unplug the AC plug (and remove the battery pack). Then contact your technical support office.
- **If a Malfunction or Trouble Occurs, Immediately Stop Use**
 - If the Following Malfunction Occurs, Immediately Unplug the AC Plug and the Battery Pack**
 - This product is damaged
 - Foreign object inside this product
 - Smoke emitted
 - Unusual smell emitted
 - Unusually hot
 - ⇒ After the above procedure, contact your technical support office for repair.

WARNING

Fire or electric shock may result.

- **Clean Dust and Other Debris of the AC Plug Regularly**
 - If dust or other debris accumulates on the plug, humidity, etc. may cause a defect in the insulation.
- **Insert the AC Plug Completely**
 - ⇒ Do not use a damaged plug or loose AC outlet.
- **Close the Connector Cover Tightly When Using This Product Where Is a Lot of Water, Moisture, Steam, Dust, Oily Vapors, etc.**
 - ⇒ If foreign matter has found its way inside, immediately turn the power off and unplug the AC cord, and then remove the battery pack. Then contact your technical support office.
- **Turn the Power off Beforehand when Entering Locations, Such as a Gas Station Where Inflammable Gases Are Generated**
 - Such gases may be ignited.

Burns or low-temperature burns may result.

- **Do Not Use This Product in Close Contact With Your Body For a Long Period of Time**
 - ⇒ Do not use this product with its heat-emitting parts in close contact with your body for a long period of time.
 - Low-temperature burns may result.
- **Do Not Expose Yourself or Other Persons to the Hot Wind from the Ventilation Hole (Exhaust) For a Long Period of Time**
 - Depending on the direction of the computer or the way you hold the computer, your hands and body will be more exposed to the hot wind.
 - Covering the ventilation hole (exhaust) with your hand or other object can cause heat to build up inside, possibly resulting in burns.
- **Do Not Touch The Surface of The AC Adaptor Continuously While Using/ Charging**
 - Burns may result.
- **Do Not Place the Product in a Bag or Case While It is Turned On**
 - Doing so may cause the product to overheat and result in burns.

Detrimental health effects on your body may result.

- **Do Not Turn the Volume Up Too Loud When Using Headphones**
 - Listening at high volumes that over-stimulate the ear for long periods of time may result in loss of hearing.
- <Only for model with wireless WAN>
- **Do Not Leave a nanoSIM Card within Reach of Infants**
 - ⇒ In case of swallowing, consult a doctor immediately.

Radio waves transmitted from this product may affect the surrounding area.

- **Do Not Use This Product near Automatic Control Devices, Such As Automatic Doors And Fire Alarms**
 - Automatic control devices may malfunction, resulting in accidents.
- **Turn the Power Off on an Airplane^{*1}**
 - ⇒ For use on a plane, follow the airline's instructions.
 - The safety of navigation may be compromised.
- **Turn the Power Off in Hospitals or at Locations Where Medical Equipment is Present^{*1}**
 - ⇒ Do not bring this product into operating rooms, intensive care units, CCU, etc.^{*2}
 - Medical electrical equipment may be affected, and malfunction may occur, resulting in accidents.
- **Turn the Power Off in Crowded Locations, Such As a Crowded Train, Where There May Be a Person with a Cardiac Pacemaker**
 - The operation of a pacemaker may be affected.
- **Keep This Product at Least 15 cm Away from the Position of an Implantable Pacemaker**
 - The operation of a pacemaker may be affected.

^{*1} If there is no choice but to use this product in such an environment, turn the wireless capability off. However, bear in mind that use of a computer may be prohibited during takeoff and landing of an aircraft, etc. even if the wireless capability is turned off.

^{*2} CCU is an abbreviated term of Coronary Care Unit.

Safety Precautions

CAUTION

Fire or electric shock may result.

- **Do Not Move This Product While the AC Plug Is Connected**
 - ⇒ If the AC cord is damaged, unplug the AC plug immediately.
- **Do Not Connect a Telephone Line, or a Network Cable Other Than the One Specified, Into the LAN Port**
 - ⇒ Do not connect to a network such as the ones listed below.
 - Networks other than 1000BASE-T, 100BASE-TX or 10BASE-T
 - Phone lines (IP phone (Internet Protocol Telephone), Telephone lines, internal phone lines (on-premise switches), digital public phones, etc.)
- **Do Not Subject the AC Adaptor To Any Strong Impact**
 - ⇒ Do not continue to use the AC adaptor after a strong impact such as being dropped.
 - ⇒ Contact your technical support office for repair.
- **Do Not Leave This Product in High Temperature Environment for a Long Period of Time**
 - Leaving this product where it will be exposed to extremely high temperatures such as near fire or in direct sunlight may deform the cabinet and/or cause trouble in the internal parts.
- **Do Not Block the Ventilation Hole (Exhaust/Intake)**
 - ⇒ Do not use this product wrapped in cloth or on top of bedding or a blanket.
- **Hold the Plug When Unplugging the AC Plug**
- **Use Only the Specified AC Adaptor With This Product**
 - ⇒ Do not use an AC adaptor other than the one supplied (supplied with the unit or one sold separately as an accessory).

This product may fall over or drop, resulting in an injury.

- **Do Not Place This Product on Unstable Surfaces**
- **Avoid Stacking**

Detrimental health effects on your body may result.

- <Only for model with Optical Disc Drive>
- **Do Not Look Into the Optical Disc Drive**
 - Looking directly at the internal laser light source may result in damage to eyesight.
 - ⇒ Contact your technical support office for check, maintenance and repair.
 - **Do Not Use Discs That Are Cracked or Deformed**
 - Because the discs rotate at high speeds, damaged discs may break apart causing injury.
 - ⇒ Discs that are not round and discs that have been repaired using adhesives are similarly dangerous, and so should not be used.
 - **Take a Break Of 10-15 Minutes Every Hour**
 - Using this product for long periods of time may have detrimental health effects on the eyes or hands.


Burns, low-temperature burns, or frostbite may result.

- **Do Not Expose the Skin To This Product When Using the Product In A Hot Or Cold Environment**
 - ⇒ When it is necessary to expose the skin to this product such as to scan a fingerprint, perform the operation in the shortest time possible.

NOTICE

- Do not place the computer near a television or radio receiver.
- Keep the computer away from magnets. Data stored on the hard disk may be lost.
- This computer is not intended for the display of images for use in medical diagnosis.
- This computer is not intended for a use with connection of medical equipment for the purpose of medical diagnosis.
- Panasonic shall not be liable for loss of data or other incidental or consequential damages resulting from the use of this product.
- Do not touch the terminals on the battery pack. The battery pack may no longer function properly if the contacts are dirty or damaged.
- Do not expose the battery pack to water, or allow it to become wet.
- If the battery pack will not be used for a long period of time (a month or more), charge or discharge (use) the battery pack until the remaining battery level becomes 30% to 40% and store it in a cool, dry place.
- This computer prevents overcharging of the battery by recharging only when the remaining power is less than approx. 95% of capacity.
- The battery pack is not charged when the computer is first purchased. Be sure to charge it before using it for the first time. When the AC adaptor is connected to the computer, charging begins automatically.
- Should the battery leak and the fluid get into your eyes, do not rub your eyes. Immediately flush your eyes with clear water and see a doctor for medical treatment as soon as possible.

NOTE

- The battery pack may become warm during recharging or normal use. This is completely normal.
- Recharging will not commence if internal temperature of the battery pack is outside of the allowable temperature range (0 °C to 50 °C {32 °F to 122 °F}). (→  *Operating Instructions - Reference Manual* “Basic Operation” “Battery Power”) Once the allowable range requirement is satisfied, charging begins automatically. Note that the recharging time varies based on the usage conditions. (Recharging takes longer than usual when the temperature is 10 °C {50 °F} or below.)
- If the temperature is low, the operating time is shortened. Only use the computer within the allowable temperature range.

- The battery pack is a consumable item. If the amount of time the computer can be run by using a particular battery pack becomes dramatically shorter and repeated recharging does not restore its performance, the battery pack should be replaced with a new one.
- When transporting a spare battery inside a package, briefcase, etc., it is recommended that it be placed in a plastic bag so that its contacts are protected.
- Always power off the computer when it is not in use. Leaving the computer on when the AC adaptor is not connected will exhaust the remaining battery capacity.

While we anticipate use of our products in certain environments such as nuclear equipment/systems, air traffic control equipment/systems, aircraft equipment/systems (as defined in^{*3}), medical devices or accessories (as defined in^{*4}), medical treatment diagnosis image display, life-support system, or other equipment/devices/systems that are involved with ensuring human life or safety, we do not allow users to integrate our product such that it becomes an integral part of the systems found in these environments. Panasonic will not be responsible for any liability resulting, and in any way for any damages or loss resulting from the use of this product arising out of the foregoing uses.

^{*3} Aircraft equipment/systems include Electric Flight Bag (EFB) systems are defined by FAA AC120-76D or EASA Commission Regulation (EU) No 965/2012.

^{*4} As defined by the Regulation (EU) 2017/745 Medical Device Regulation.

Panasonic cannot guarantee any specifications, technologies, reliability, safety (e.g. flammability/smoke/toxicity/radio frequency emission, etc.) requirement related to aviation standards that exceed the specifications of our COTS products.

This computer has been designed so as to minimize shock to the LCD and hard disk drive, the leakage of liquid (e.g., water) on to the keyboard, etc., but no warranty is provided against such trouble. Therefore, as a precision instrument, be extremely careful in the handling.

Mesures de sécurité

Pour réduire tout risque de blessure, de décès, d'électrocution, d'incendie ou de dysfonctionnement, respectez toujours les mesures de sécurité suivantes.

DANGER

Précautions relatives à la batterie

Des pertes d'électrolytes et une production de chaleur sont possibles, la batterie risque également de prendre feu ou de casser.

- **Ne pas jeter la batterie au feu et ne pas la soumettre à une chaleur excessive**
- **Ne pas déformer la batterie, ne pas la démonter et n'y apporter aucune modification**
- **Ne pas mettre la borne positive (+) en court-circuit avec la borne négative (-)**
 - ⇒ Ne pas mettre la batterie en contact avec des objets tels que des colliers ou des épingles pendant le transport ou le stockage.
- **Ne pas soumettre le produit aux secousses ni aux chocs, ne pas le soumettre à une pression excessive, etc.**
 - ⇒ Si ce produit subit un choc violent, enlevez immédiatement le bloc de batterie de l'ordinateur.
- **Ne pas charger la batterie en appliquant des méthodes autres que celles indiquées**
- **Ne pas utiliser la batterie avec un autre produit**
 - La batterie est rechargeable et a été conçue pour un produit spécifique.
- **Ne pas utiliser ce produit avec une batterie autre que celle spécifiée**
 - ⇒ N'utiliser que la batterie spécifiée avec le produit.
- **Éviter les chaleurs extrêmes (proximité d'un feu, lumière directe du soleil, par exemple)**
- **Quand le bloc de batterie est détérioré ou si un gonflement anormal se produit, le remplacer avec un bloc neuf**
 - ⇒ Ne pas continuer à utiliser une batterie endommagée.

Des pertes d'électrolytes et une production de chaleur sont possibles, la batterie risque également de prendre feu ou de casser.

- **Si un dysfonctionnement ou un problème se produit, cesser immédiatement l'utilisation**

⇒ Si le bloc de batterie apparaît endommagé ou déformé, ou s'il émet de la fumée, une odeur anormale, une chaleur excessive ou d'autres anomalies, retirez-le immédiatement de l'ordinateur.

AVERTISSEMENT

Un incendie ou un choc électrique risque de se produire.

- **Ne rien faire qui puisse endommager le cordon secteur, la fiche d'alimentation ou l'adaptateur secteur**
Ne pas endommager ni modifier le cordon, ne pas le placer près d'outils chauds, ne pas plier, tordre ou tirer avec force, ne pas placer d'objets lourds sur ce dernier ni le serrer fermement.
 - ⇒ Ne pas continuer à utiliser un cordon d'alimentation, une fiche d'alimentation et un adaptateur secteur endommagés.
 - Contacter l'assistance technique pour faire réparer le produit.
- **Ne pas brancher l'adaptateur secteur à une source d'alimentation autre qu'une prise secteur domestique standard**
 - ⇒ L'adaptateur secteur risque d'être endommagé s'il est connecté à un convertisseur C.C./C.A. (inverseur). En avion, ne brancher l'adaptateur secteur/chargeur que sur une prise secteur spécifiquement adaptée à un tel usage.
- **Ne pas insérer ni retirer la fiche C.A. les mains mouillées**
- **Ne pas démonter ce produit**
 - L'appareil ne contient pas de pièces pouvant être réparées par l'utilisateur. Contactez un technicien qualifié pour des réparations.
- **Ne pas toucher ce produit en cas d'orage s'il est branché au câble d'alimentation ou à n'importe quel autre câble**

AVERTISSEMENT

Un incendie ou un choc électrique risque de se produire.

■ **Ne pas placer d'objets métalliques ou contenant du liquide au-dessus de ce produit**

⇒ Si un corps étranger a pénétré dans ce produit, mettez immédiatement celui-ci hors tension et déconnectez la fiche secteur (puis retirez la batterie). Contactez ensuite le service d'assistance technique.

■ **En cas de dysfonctionnement ou de panne, arrêter immédiatement l'utilisation**

Si le dysfonctionnement suivant se produit, débrancher immédiatement la fiche d'alimentation (et la batterie)

- Ce produit est endommagé
- Présence de corps étrangers dans ce produit
- Émission de fumée
- Émission d'une odeur inhabituelle
- Dégagement de chaleur inhabituelle

⇒ Après la procédure ci-dessus, contacter l'assistance technique pour faire réparer le produit.

■ **Éliminer régulièrement la poussière et d'autres résidus de la fiche C.A.**

• Si de la poussière ou d'autres résidus s'accumulent sur la fiche, si celle-ci est humide, par exemple, cela pourrait entraîner une défaillance de l'isolation.

■ **Insérer complètement la fiche C.A**

⇒ Ne pas utiliser de fiche endommagée ni de prise secteur détachée.

■ **Fermer le couvercle du connecteur fermement lors de l'utilisation de ce produit dans un endroit où la présence d'eau, d'humidité, de vapeur, de poussière, de vapeurs d'huile, etc. est importante.**

⇒ Si un corps étranger a pénétré dans ce produit, mettre immédiatement celui-ci hors tension et déconnecter le cordon secteur. puis retirer la batterie. Contactez ensuite l'assistance technique.

■ **Mettez l'appareil hors tension avant d'entrer dans des lieux, tels qu'une station service où des gaz inflammables sont produits**

• De tels gaz risqueraient de s'enflammer

Il peut s'en suivre des brûlures ou des brûlures à basse température.

■ **Ne pas utiliser ce produit près du corps pendant une période prolongée**

⇒ Ne pas exposer votre corps au contact direct de la source de chaleur de ce produit pendant une période prolongée.

- Il peut s'en suivre des brûlures à basse température.

■ **Ne pas vous exposer, ou exposer d'autres personnes, à l'air chaud émis par le trou de ventilation (échappement) pendant une période prolongée.**

- Selon la direction de l'ordinateur ou la manière dont vous le tenez, vos mains et votre corps seront davantage exposés au vent chaud.
- Couvrir le trou de ventilation (échappement) avec votre main ou tout autre objet peut causer une accumulation de chaleur à l'intérieur et risque d'entraîner des brûlures.

■ **Ne pas toucher la surface de l'adaptateur secteur pendant l'utilisation/le chargement**

- Il peut s'en suivre des brûlures.

■ **Ne pas placer le produit dans un sac ou un boîtier lorsqu'il est allumé**

- Cela risquerait de faire surchauffer l'appareil et de causer des brûlures.

Cela peut entraîner des effets néfastes sur votre santé.

■ **Ne pas monter le volume trop fort lors de l'utilisation du casque**

- L'écoute à des niveaux sonores élevés qui stimulent l'oreille de manière excessive pendant une période prolongée peut se traduire par une perte d'audition.

<Uniquement pour les modèles WAN sans fil>

■ **Ne laissez pas les cartes nanoSIM à portée des nourrissons**

- En cas d'ingestion, consultez immédiatement un docteur.

AVERTISSEMENT

Les ondes radio émises par cet appareil peuvent affecter la zone environnante.

- **N'utilisez pas cet appareil à proximité de dispositifs de contrôle automatiques, comme des portes automatiques et des alarmes incendie**
 - Les dispositifs de contrôle automatiques risquent de mal fonctionner et provoquer des accidents.
- **Mettez l'appareil hors tension à bord d'un avion^{*1}**
 - ⇒ En cas d'utilisation à bord d'un avion, conformez-vous au règlement de la compagnie aérienne.
 - La sécurité de navigation pourrait être compromise.
- **Mettez l'appareil hors tension dans des hôpitaux ou dans des endroits avec de l'équipement médical présent^{*1}**
 - ⇒ N'amenez pas cet appareil dans les salles d'opération, les unités de soins intensifs, les CCU, etc.^{*2}
 - Les équipements électriques médicaux risqueraient d'être affectés et connaître des dysfonctionnements, provoquant des accidents.
- **Mettez l'appareil hors tension dans les endroits avec beaucoup de monde, comme les trains bondés, où une personne portant un stimulateur cardiaque peut se trouver**
 - Le fonctionnement d'un stimulateur pourrait être affecté.
- **Maintenez cet appareil à haut moins 15 cm de la position d'un stimulateur implantable**
 - Le fonctionnement d'un stimulateur pourrait être affecté.

^{*1} S'il est impératif d'utiliser l'appareil dans un tel environnement, désactivez la fonction sans fil. Cependant, notez que l'utilisation d'un ordinateur peut être interdite pendant le décollage et l'atterrissage d'un avion, etc. même si la fonction sans fil est désactivée.

^{*2} CCU est un terme abrégé pour unité de soins intensifs de cardiologie.

ATTENTION

Un incendie ou un choc électrique risque de se produire.

- **Ne pas déplacer ce produit tant que la fiche C.A. est connectée**
 - ⇒ Si le cordon secteur est endommagé, déconnecter immédiatement la fiche C.A.
- **Ne pas brancher de ligne téléphonique ni de câble réseau autres que ceux spécifiés, dans le port pour réseau local**
 - ⇒ Ne pas connecter à un réseau comme l'un de ceux répertoriés ci-dessous.
 - Réseaux autres que 1000BASE-T, 100BASE-TX ou 10BASE-T
 - Lignes téléphoniques (téléphone IP (téléphone à protocole Internet), lignes téléphoniques, lignes internes (commutateurs téléphoniques présents chez l'abonné), téléphones publics numériques, etc.)
- **Ne soumettre l'adaptateur secteur à aucun choc violent**
 - ⇒ Ne pas poursuivre l'utilisation de l'adaptateur secteur après un choc violent comme, par exemple, une chute.
 - ⇒ Contacter l'assistance technique pour faire réparer le produit.
- **Ne pas laisser ce produit dans un environnement à température élevée pendant une période prolongée**
 - Laisser ce produit dans un endroit où il sera exposé à des températures extrêmement élevées, comme près du feu ou à la lumière directe du soleil, risque de déformer le boîtier et/ou d'endommager les éléments internes.
- **Ne pas obstruer l'orifice de ventilation (échappement/aspiration)**
 - ⇒ Ne pas utiliser ce produit enroulé dans un tissu ou sur une literie ou un canapé.

ATTENTION

Un incendie ou un choc électrique risque de se produire.

- **Tenir fermement la fiche C.A. lors de son retrait**
- **N'utiliser que l'adaptateur secteur spécifié pour ce produit**
 - ⇒ Ne pas utiliser un adaptateur secteur autre que celui fourni (N'utiliser que l'adaptateur secteur spécifié pour ce produit).

Ce produit risque de tomber et d'entraîner des blessures.

- **Ne pas placer ce produit sur des surfaces instables**
- **Éviter tout empilage**

Cela peut entraîner des effets néfastes sur votre santé.

<Uniquement pour les modèles avec lecteur de disque optique>

■ **Ne pas regarder dans lecteur de disque optique**

- Le fait de regarder directement la source de lumière laser interne pourrait causer des dommages à la vue.

⇒ Contacter l'assistance technique pour faire vérifier, entretenir et réparer le produit.

■ **Ne pas utiliser des disques fissurés ou déformés**

- Les disques tournant à grande vitesse, les disques endommagés peuvent se rompre et causer des blessures.

⇒ Les disques qui ne sont pas ronds et les disques ayant été réparés à l'aide d'adhésif sont également dangereux et ne doivent pas être utilisés.

■ **Faire une pause de 10 à 15 minutes par heure**

- Utiliser ce produit pendant une période prolongée peut être néfaste pour les yeux ou les mains.

Des brûlures, des brûlures à basse température ou des gelures pourraient être causées.


■ **Ne pas toucher ce produit lors de son utilisation dans un environnement chaud ou froid.**

⇒ Lorsqu'il est nécessaire d'exposer la peau à ce produit comme pour scanner une empreinte digitale, veuillez effectuer l'opération le plus rapidement possible.

AVIS

- Ne pas placer l'ordinateur près d'une télévision ou d'un récepteur radio.
- Tenir l'ordinateur à l'écart des aimants. Des données du disque dur pourraient être perdues.
- Cet ordinateur n'est pas prévu pour l'affichage d'images à des fins de diagnostic médical.
- Cet ordinateur n'est pas prévu pour une connexion à un équipement médical à des fins de diagnostic médical.
- Panasonic ne pourra être tenu responsable de perte de données ou de tout autre dommage accessoire ou indirect résultant de l'utilisation de ce produit.
- Ne pas toucher les bornes de la batterie. La batterie risque de ne plus fonctionner correctement si les bornes sont sales ou endommagées.
- Ne pas exposer la batterie à l'eau et éviter qu'elle soit mouillée.
- Si vous n'utilisez pas la batterie pendant une période prolongée (un mois ou plus), la charger ou la décharger (l'utiliser) jusqu'à ce que son niveau de charge se situe entre 30 % et 40 % de sa capacité maximale, puis la ranger dans un endroit frais et sec.
- Cet ordinateur protège la batterie contre une éventuelle surcharge en ne déclenchant son rechargement que lorsque sa charge est inférieure à 95 % environ de sa capacité maximale.
- À l'achat de l'ordinateur, la batterie n'est pas chargée. La charger avant d'utiliser votre ordinateur pour la première fois. Lorsque l'adaptateur secteur est branché sur l'ordinateur, la charge démarre automatiquement.
- En cas de contact du liquide de la batterie avec les yeux, ne pas les frotter. Les rincer immédiatement avec de l'eau et consulter un médecin.

REMARQUE

- La batterie peut chauffer pendant la charge ou l'utilisation normale. Il s'agit d'un phénomène tout à fait normal.
- La charge ne peut commencer si la température interne de la batterie excède la plage de températures acceptable (0 °C à 50 °C).
(→  *Operating Instructions - Reference Manual* "Basic Operation" "Battery Power") La charge commence automatiquement lorsque la température revient dans les limites autorisées. Il est important de noter que le temps de charge varie en fonction des conditions d'utilisation. (Le temps de charge est plus long que d'habitude lorsque la température est inférieure ou égale à 10 °C.)
- Lorsque la température est basse, l'autonomie est diminuée. N'utiliser l'ordinateur que dans la plage de températures autorisée.
- La batterie est un produit consommable. Si le temps d'utilisation de la batterie est considérablement réduit et si ses performances ne s'améliorent pas lorsqu'elle est rechargée à plusieurs reprises, la remplacer par une nouvelle batterie.
- Lors du transport d'une batterie de rechange dans un bagage, une valise, etc., nous recommandons de la placer dans un sac en plastique afin d'en protéger les bornes.
- Toujours mettre l'ordinateur hors tension s'il n'est pas utilisé. Si l'ordinateur est laissé sous tension alors que l'adaptateur secteur n'est pas branché, la batterie risque de se décharger complètement.

Bien que nous anticipions l'utilisation de nos produits dans certains environnements tels que les systèmes/équipements nucléaires, systèmes/équipements de contrôle du trafic aérien ou systèmes/équipements d'avions (comme défini dans³), dispositifs ou accessoires médicaux (comme défini dans⁴), affichages d'images de diagnostic pour traitement médical, systèmes d'assistance de vie artificielle ou tout autre équipement/dispositif/système lié à la vie ou la sécurité humaine, nous n'autorisons pas les utilisateurs à intégrer nos produits de telle sorte qu'ils fassent partie intégrante des systèmes trouvés dans ces environnements. Panasonic n'acceptera aucune responsabilité pour tout incident et pour tout dommage ou perte résultant de l'usage de ce produit pour l'une des fonctions énoncées ci-dessus.

³ Les systèmes/équipements d'avion incluent les systèmes à Sac de vol électronique (EFB) sont définis par la circulaire AC120-76D de la FAA ou le Règlement de la Commission de l'AESA (UE) N° 965/2012.

⁴ Comme prescrit par la Règlement (UE) 2017/745 concernant les dispositifs médicaux.

Panasonic ne donne aucune garantie en ce qui concerne les spécifications, les technologies, la fiabilité et la sécurité (par exemple, l'inflammabilité, la fumée, la toxicité, l'émission de fréquences radio, etc.) relatives aux normes de l'aviation qui ont dépassent les spécifications de nos produits produits COTS.

Cet ordinateur a été conçu de façon à minimiser les chocs subis par le LDC et le lecteur de disque dur, la fuite de liquides (par ex. l'eau) sur le clavier, etc., mais aucune garantie n'est fournie pour ce genre de problèmes. Cet ordinateur étant un instrument de précision, soyez extrêmement prudent lorsque vous le manipulez.

Information to the User / Informations destinées aux utilisateurs

<Only for model with wireless LAN/Bluetooth>

This product and your Health

This product, like other radio devices, emits radio frequency electromagnetic energy. The level of energy emitted by this product however is far much less than the electromagnetic energy emitted by wireless devices like for example mobile phones.

Because this product operates within the guidelines found in radio frequency safety standards and recommendations, we believe this product is safe for use by consumers. These standards and recommendations reflect the consensus of the scientific community and result from deliberations of panels and committees of scientists who continually review and interpret the extensive research literature.

In some situations or environments, the use of this product may be restricted by the proprietor of the building or responsible representatives of the organization. These situations may for example include:

- Using this product on board of airplanes, or
- In any other environment where the risk of interference to other devices or services is perceived or identified as harmful.

If you are uncertain of the policy that applies on the use of wireless devices in a specific organization or environment (e.g. airports), you are encouraged to ask for authorization to use this product prior to turning on the product.

Regulatory Information

We are not responsible for any radio or television interference caused by unauthorized modification of this product. The correction of interference caused by such unauthorized modification will be the responsibility of the user. We and its authorized resellers or distributors are not liable for damage or violation of government regulations that may arise from failing to comply with these guidelines.

26-1-M

<Uniquement pour les modèles avec LAN sans fil/Bluetooth>

Ce produit et votre santé

Ce produit, comme tout autre appareil radio, émet de l'énergie radioélectrique. Toutefois, la quantité d'énergie émise par ce produit est beaucoup moins importante que l'énergie radioélectrique émise par des appareils sans fil tels que les téléphones portables. L'utilisation de ce produit ne comporte aucun risque pour le consommateur du fait que cet appareil opère dans les limites des directives concernant les normes et les recommandations de sécurité sur les fréquences radio. Ces normes et recommandations reflètent le consensus de la communauté scientifique et résultent de délibérations de jurys et comités de scientifiques qui examinent et interprètent continuellement les nouveautés de la vaste littérature sur les recherches effectuées. Dans certaines situations ou environnements, l'utilisation de ce produit peut être restreinte par le propriétaire du bâtiment ou par les représentants responsables de l'organisation. Ces situations peuvent être les suivantes par exemple :

- A bord d'un avion, ou
- Dans tout autre environnement où les risques d'interférence sur d'autres appareils ou services sont perçus ou identifiables comme dangereux.

Si vous n'êtes pas sûr de la réglementation applicable à l'utilisation d'appareils sans fil dans une organisation ou un environnement spécifique, (par exemple dans un aéroport) nous vous invitons à demander l'autorisation d'utiliser ce produit avant sa mise en marche.

Informations concernant la réglementation

Nous déclinons toute responsabilité pour toute interférence radio ou télévision causée par des modifications non autorisées apportées à ce produit. La correction d'interférences causées par de telles modifications non autorisées sera la seule responsabilité de son utilisateur. Nous-mêmes, les revendeurs officiels et les distributeurs ne sommes pas responsable de tout dégât ou de toute violation des règlements de l'État pouvant découler du non-respect de ces directives.

26-1-F

USB Type-C Adaptors and Cables / Câbles et adaptateurs USB type C

<Only for model with USB Type-C>

For USA/CANADA:

- Use only UL Listed USB Type-C AC adaptors.
- Use only UL Listed USB Type-C cables (ICT Power Cables).

76-E-1

<Uniquement les modèles avec USB type C>

Pour É-U/CANADA :

- Utilisez uniquement des adaptateurs secteur Type C USB homologués UL.
- Utilisez uniquement des adaptateurs Type C USB homologués UL (câbles d'alimentation ICT).

76-F-1

LED Light / Lumière de LED

<For model with Barcode Reader>

CAUTION

- The light from the LED is strong and can injure human eyes.
Do not look directly at the LEDs with naked eyes.



57-E-1

<Pour les modèles avec lecteur de code-barres>

ATTENTION

- La lumière de la diode LED est forte et peut blesser l'oeil humain.
Ne regardez pas directement les LED avec les yeux non protégés.



57-F-1

Laser Devices / Périphériques laser

<Only for model with Optical Disc Drive>

CAUTION!

THIS PRODUCT UTILIZES A CLASS 1 LASER.

USE OF CONTROLS, ADJUSTMENTS OR PERFORMANCE OF PROCEDURES OTHER THAN THOSE SPECIFIED HEREIN MAY RESULT IN HAZARDOUS RADIATION EXPOSURE.

DO NOT DISASSEMBLE OR REPAIR YOURSELF.

REFER SERVICING TO QUALIFIED PERSONNEL.

Complies with FDA radiation performance standards 21 CFR chapter I, Subchapter J

12-E-1

<Uniquement pour les modèles avec lecteur de disque optique>

AVERTISSEMENT!

CET APPAREIL UTILISE UN LASER DE CLASSE 1.

L'UTILISATION DE COMMANDES OU DE RÉGLAGES OU L'EXÉCUTION DE PROCÉDURES AUTRES QUE CELLES SPÉCIFIÉES ICI PEUVENT PROVOQUER UNE EXPOSITION À DES RADIATIONS DANGEREUSES.

NE PAS DÉMONTER OU ESSAYER DE RÉPARER SOI MÊME.

CONFIER TOUT TRAVAIL D'ENTRETIEN À UN PERSONNEL QUALIFIÉ.

Conforme aux réglementations IEC 60825-1:2014, EN 60825-1:2014+A11:2021, GB 7247.1-2012, JIS C 6802:2014.

12-F-1

The following label is put on the side of the computer.

L'étiquette suivante se trouve le côté de l'ordinateur.



<Only for model with Barcode Reader>

CAUTION!

THIS PRODUCT UTILIZES A CLASS 2 LASER.

USE OF CONTROLS, ADJUSTMENTS OR PERFORMANCE OF PROCEDURES OTHER THAN THOSE SPECIFIED HEREIN MAY RESULT IN HAZARDOUS RADIATION EXPOSURE.

DO NOT DISASSEMBLE OR REPAIR YOURSELF.

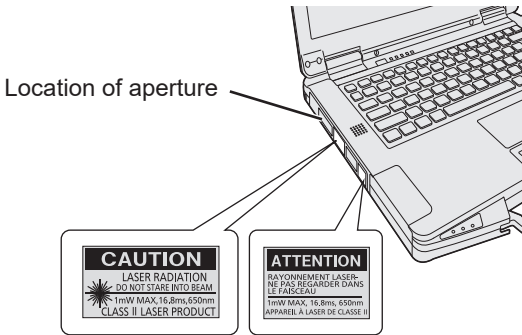
REFER SERVICING TO QUALIFIED PERSONNEL.

Complies with 21 CFR 1040.10 and 1040.11 except for conformance with IEC 60825-1 Ed. 3., as described in Laser Notice No. 56, dated May 8, 2019.

The laser is a "Class 2" laser which is indicated on the label for this product. Class 2 laser readers use a low power, visible light diode. As with any very bright light source, such as the sun, the user should avoid staring directly into the light beam.

Looking directly at the laser beam for a long time, it may cause damage to your eyes.

■ **Labeling/Marking**



■ **Laser radiation information (FZ-VBR551)**

Beam Divergence

- Vertical angle: 30 degree

- Horizontal angle: 36 degree

Wavelength: 650 nm

Radiant Power (Max) : 1 mW

Pulse duration: 16.8 ms

Repetition rate: 60 Hz

13-E-1

<Uniquement pour les modèles équipés d'un Lecteur de codes barres>

AVERTISSEMENT!

CET APPAREIL UTILISE UN LASER DE CLASSE 2.

L'UTILISATION DE COMMANDES OU DE RÉGLAGES OU L'EXÉCUTION DE PROCÉDURES AUTRES QUE CELLES SPÉCIFIÉES ICI PEUVENT PROVOQUER UNE EXPOSITION À DES RADIATIONS DANGEREUSES.

NE PAS DÉMONTÉ OU ESSAYER DE RÉPARER SOI MÊME.

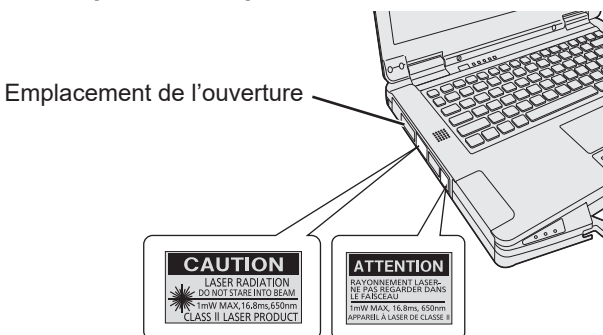
CONFIER TOUT TRAVAIL D'ENTRETIEN À UN PERSONNEL QUALIFIÉ.

Conforme aux réglementations IEC 60825-1:2014, EN 60825-1:2014+A11:2021, GB 7247.1-2012, JIS C 6802:2014.

Le laser est de "Classe 2", comme l'étiquette de ce produit l'indique. Les lecteurs de laser de "Classe 2" utilisent une diode lumineuse à rayonnement visible et à basse énergie. Comme c'est le cas pour toutes les sources très lumineuses, comme le soleil, il est recommandé à l'utilisateur d'éviter de regarder directement le faisceau.

Regarder directement le faisceau laser pendant une période prolongée risque d'endommager vos yeux.

■ **Étiquettes/marques**



■ **Informations sur le rayonnement laser (FZ-VBR551)**

Divergence du faisceau

- Angle vertical : 30 degrés

- Angle horizontal : 36 degrés

Longueur d'onde : 650 nm

Puissance rayonnante (max.) : 1 mW

Durée de l'impulsion : 16,8 ms

Fréquence de répétition : 60 Hz

13-F-1

AC Adaptor / Adaptateur secteur

- The AC adaptor used for the specified computers and Port Replicator option is Class I Equipment^{*1}. When using the computer and Port Replicator option, the AC adaptor must be earthed. The power plug must be connected to a properly wired earth ground socket outlet. Hazardous voltage could occur on user accessible metal parts by improperly wiring socket outlet.

^{*1} Equipment with basic insulation used as a basic safeguard, and with protective bonding and protective earthing used as a supplementary safeguard for electrically-caused injury.

77-M-1

- L'adaptateur secteur utilisé pour les ordinateurs spécifiés et l'option duplicateur de ports est un équipement de classe I^{*1}. Lors de l'utilisation de l'ordinateur et de l'option duplicateur de ports, l'adaptateur secteur doit être mis à la terre. La fiche d'alimentation doit être raccordée à une prise de courant terre correctement mise à la terre. Une tension dangereuse pourrait survenir sur les parties métalliques accessibles à l'utilisateur à cause d'un branchement incorrecte de la prise de courant.

^{*1} Équipement avec isolation de base utilisé comme protection de base, avec liaison protectrice et conducteur de protection utilisé comme protection supplémentaire contre les blessures causées par de l'électricité.

77-F-1

Battery Pack / Batterie

CAUTION:

Risk of Explosion if Battery is replaced by an Incorrect Type. Dispose of Used Batteries According to the Instructions.

58-E-1

Handling of lithium ion battery pack



Do not charge, use, or leave the battery in extremely high temperature or extremely low air pressure like high altitude where ordinary not entered, as this may result in explosion or leakage of flammable liquids.

81-E-1

ATTENTION:

Il y a risque d'explosion si la batterie est remplacée par une batterie de type incorrect. Mettre au rebut les batteries usagées conformément aux instructions.

58-F-1

Manipulation de la batterie au lithium-ion



Ne pas charger, utiliser ou laisser la batterie dans un endroit soumis à une température extrêmement élevée ou à une pression d'air extrêmement basse, comme à haute altitude, là où elle n'est pas habituellement utilisée, car cela peut entraîner une explosion ou une fuite de liquides inflammables.

81-F-1



<Only for model with the above logo on the computer>

As an ENERGY STAR® Partner, Panasonic has determined that this product meets ENERGY STAR® guidelines for energy efficiency. By enabling available power management settings, Panasonic computers enter a low-power sleep mode after a period of inactivity, saving the user energy.

<For U.S.A.>

To learn more about power management, please visit the web site:

www.energystar.gov

Outline of the International ENERGY STAR® Office Equipment Program

The international ENERGY STAR® Office Equipment Program is an international program that promotes energy saving through the use of computers and other office equipment. The program backs the development and dissemination of products with functions that effectively reduce energy consumption. It is an open system in which business proprietors can participate voluntarily. The targeted products are office equipment such as computers, displays, printers, facsimiles, and copiers. Their standards and logos are uniform among participating nations.

<For U.S.A.>

For information about ENERGY STAR®, refer to the following web site:

Web Site: www.energystar.gov

<Only for model without the above logo on the computer>

This model is not certified to the ENERGY STAR®.

22-M-2



<Uniquement pour le modèle muni du logo ci-dessus sur l'ordinateur>

Partenaire ENERGY STAR®, Panasonic propose des produits conformes aux recommandations ENERGY STAR® pour la gestion de l'énergie. Par l'activation des réglages de gestion de consommation d'énergie disponibles, les ordinateurs Panasonic passent en mode de veille à faible consommation d'énergie après une certaine période d'inactivité, procurant ainsi des économies d'énergie à l'utilisateur.

Présentation du programme ENERGY STAR® international en matière d'équipements de bureau-tique

Ce programme international a pour objectif de normaliser les fonctions d'économie d'énergie pour les ordinateurs et les équipements de bureau. Il soutient le développement et la diffusion de produits proposant des fonctions permettant une gestion efficace de l'énergie. C'est un système ouvert auquel les entreprises peuvent librement participer. Les produits cible sont des équipements de bureau tels que les ordinateurs, moniteurs, imprimantes, télécopieurs et photocopieurs. Les standards définis et les logos utilisés sont identiques dans tous les pays participants.

<Uniquement pour le modèle n'étant pas muni du logo ci-dessus sur l'ordinateur>

Ce modèle n'est pas certifié ENERGY STAR®.

22-F-2

For Used in Motor Vehicle / Pour L'utilisation Dans Un Véhicule Motorisé

- Give full attention to driving. Driving safely is your first responsibility.
 - Pull off the road and park before placing or answering a call. It is unsafe to operate the product while driving.
 - Check the laws and regulations in the areas where you drive, and always obey them.
 - Only qualified personnel should install the product in a vehicle. Check regularly that the product is securely mounted in your vehicle and operating properly.
 - Do not place or install the product in the area over the air bag or in the air bag deployment area. If the air bag inflates, serious injury and/or damage could result.
 - RF signals may affect improperly installed or inadequately shielded electronic systems in motor vehicles. Consult the manufacturer (or its representative) of the vehicle and any equipment that has been added to the vehicle regarding the use of mobile products.
 - Use hands-free operation, if available and legally permitted.
-
- Concentrez-vous entièrement sur votre conduite. Conduire prudemment est votre première responsabilité.
 - Quittez la route et garez-vous avant de passer ou de répondre à un appel. Il est dangereux de manipuler l'appareil en conduisant.
 - Vérifiez les lois et les réglementations dans les zones où vous conduisez et respectez-les toujours.
 - Seul du personnel qualifié doit installer le produit dans un véhicule. Vérifiez régulièrement que le produit est bien monté dans votre véhicule et qu'il fonctionne correctement.
 - Ne placez pas ou n'installez pas le produit dans la zone au-dessus du coussin gonflable ou dans la zone de déploiement du coussin gonflable. Si le coussin gonflable se gonfle, il risque de provoquer des blessures graves et/ou des dommages.
 - Les signaux RF peuvent affecter les systèmes électroniques mal installés ou mal protégés dans les véhicules automobiles. Consultez le constructeur (ou son représentant) du véhicule et de tout équipement qui a été ajouté au véhicule pour tout ce qui concerne l'utilisation d'appareils mobiles.
 - Utilisez le fonctionnement mains libres, si possible et si cela est légalement autorisé.

35-M-2

For U.S.A. / Pour les États-Unis

Federal Communications Commission Radio Frequency Interference Statement

Note: This equipment has been tested and found to comply with the limits for a Class B digital device, pursuant to Part 15 of the FCC Rules. These limits are designed to provide reasonable protection against harmful interference in a residential installation. This equipment generates, uses and can radiate radio frequency energy and, if not installed and used in accordance with the instructions, may cause harmful interference to radio communications. However, there is no guarantee that interference will not occur in a particular installation. If this equipment does cause harmful interference to radio or television reception, which can be determined by turning the equipment off and on, the user is encouraged to try to correct the interference by one or more of the following measures:

- Reorient or relocate the receiving antenna.
- Increase the separation between the equipment and receiver.
- Connect the equipment into an outlet on a circuit different from that to which the receiver is connected.
- Consult the Panasonic Service Center or an experienced radio/TV technician for help.

Warning

To assure continued compliance, use only shielded interface cables when connecting to a computer or peripheral. Also, any changes or modifications not expressly approved by the party responsible for compliance could void the user's authority to operate this equipment.

This device complies with Part 15 of the FCC Rules. Operation is subject to the following two conditions:

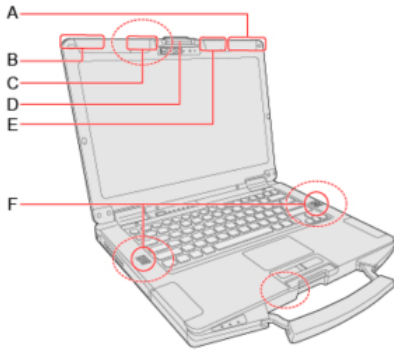
- (1) This device may not cause harmful interference, and
- (2) This device must accept any interference received, including interference that may cause undesired operation.

FCC RF Exposure Warning:

- Other third-party wireless transmitters have not been RF exposure evaluated for use with this computer and may not comply with FCC RF exposure requirements.

<Only for model with wireless LAN/wireless WAN/Bluetooth>

- This equipment complies with FCC radiation exposure limits set forth for an uncontrolled environment.
- This equipment has been approved for mobile operation. Under normal operating conditions with the display open, a minimum separation distance of 20 cm must be maintained between the antennas and user in order to comply with RF exposure requirements, including when the display is closed.
- This equipment may not be colocated or operated with any other antenna or transmitter.
- Operation of transmitters in the 5.925-7.125 GHz band is prohibited for control of or communications with unmanned aircraft systems.



- A. Wireless WAN Antenna / GPS Antenna
- B. Wireless WAN Antenna
- C. Wireless LAN Antenna
- D. Display Latch
- E. Wireless LAN Antenna / Bluetooth Antenna
- F. Speaker

Responsible Party: Panasonic Corporation of North America
Two Riverfront Plaza
Newark, NJ 07102
Support Contact: <https://na.panasonic.com/us/support>

6-M-1

To dispose of your product, please recycle in accordance with local environmental regulations. For further recycling please visit <https://shop.panasonic.com/recycle>

65-M-1



<For USA and Canada>

A lithium ion battery that is recyclable powers the product you have purchased. Please call 1-800-8-BATTERY for information on how to recycle this battery.

<Pour les États-Unis et le Canada>

L'appareil que vous vous êtes procuré est alimenté par une batterie au lithium-ion.

Pour des renseignements sur le recyclage de la batterie, veuillez composer le 1-800-8-BATTERY.

48-M-1

This product contains a CR Coin Cell Lithium Battery which contains Perchlorate Material - special handling may apply.
See <https://dtsc.ca.gov/perchlorate/>

38-M-2

For Canada / Pour le Canada

Canadian ICES-003

CAN ICES-003(B)/NMB-003(B)

7-1-M

<Only for model with wireless LAN/Bluetooth/wireless WAN>

Innovation, Science and Economic Development Canada (ISED)

This product complies with ISED's licence-exempt RSSs.

Operation is subject to the following two conditions;

- (1) this device may not cause interference, and
- (2) this device must accept any interference, including interference that may cause undesired operation of the device.

<Ne s'applique qu'aux modèles avec technologie Bluetooth/LAN sans fil/WAN sans fil>

Innovation, Sciences et Développement économique Canada (ISDE)

Cet équipement est conforme aux normes sans licence CNR d'ISDE.

Son fonctionnement est soumis aux deux conditions suivantes :

- (1) ce dispositif ne peut produire de brouillage, et
- (2) ce dispositif doit accepter le brouillage, y compris le brouillage pouvant entraîner le fonctionnement non désiré de l'appareil.

30-Ca-1

<Only for model with wireless LAN>

Wireless LAN use

This product (local network devices) for the band 5150-5250 MHz is only indoor usage to reduce potential for harmful interference to co-channel Mobile Satellite systems.

High power radars are allocated as primary users (meaning they have priority) of 5250-5350 MHz and 5650-5850 MHz and these radars could cause interference and/or damage to LELAN devices.

Devices shall not be used for control of or communications with unmanned aircraft systems.

<Uniquement pour les modèles avec LAN sans fil>

Utilisation LAN sans fil

Cet appareil (pour réseaux locaux radioélectriques) dans les bandes de fréquences 5150-5250 MHz est réservé à une utilisation à l'intérieur afin de réduire le risque d'interférence avec les systèmes satellites mobiles bicanaux.

Les radars forte puissance sont désignés comme étant les premiers utilisateurs (c'est-à-dire qu'ils ont la priorité) des bandes de fréquences 5250-5350 MHz et 5650-5850 MHz. Ces stations radars peuvent provoquer des interférences et/ou des dommages à ce périphérique.

Les dispositifs ne doivent pas être utilisés pour commander des systèmes d'aéronef sans pilote ni pour communiquer avec de tels systèmes.

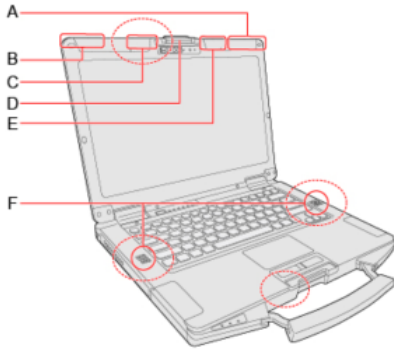
30-Ca-2

<Only for model with wireless LAN/Bluetooth/wireless WAN>

- This computer complies with ISED Canada radiation exposure limits set forth for an uncontrolled environment.
- This equipment has been approved for mobile operation. Under normal operating conditions with the display open, a minimum separation distance of 20 cm must be maintained between the antennas and user in order to comply with RF exposure requirements, including when the display is closed.
- Compliance with ISED Canada's bystander SAR requirements has been evaluated. A minimum distance of 25 mm from the antennas of the display must be maintained from all persons.

<Uniquement pour les modèles avec LAN sans fil/Bluetooth/WAN sans fil>

- Cet équipement est conforme aux limites d'exposition aux rayonnements ISED Canada établies pour un environnement non contrôlé.
- Cet équipement a été approuvé à des fins d'opération mobile. Dans des conditions normales de fonctionnement avec l'écran ouvert, une distance de séparation minimale de 20 cm doit être maintenue entre les antennes et l'utilisateur afin de respecter les exigences d'exposition aux RF, y compris lorsque l'écran est fermé.
- La conformité aux exigences d'ISDE Canada en matière de RS pour les spectateurs a été évaluée. Une distance minimale de 25 mm des antennes de l'écran d'affichage doit être maintenue par rapport à toutes les personnes.



- A. Wireless WAN Antenna / GPS Antenna
- B. Wireless WAN Antenna
- C. Wireless LAN Antenna
- D. Display Latch
- E. Wireless LAN Antenna / Bluetooth Antenna
- F. Speaker

- A. Antenne WAN sans fil / Antenne GPS
- B. Antenne WAN sans fil
- C. Antenne LAN sans fil
- D. Loquet d'affichage
- E. Antenne LAN sans fil / Antenne Bluetooth
- F. Haut-parleur

Disposal of Old Equipment and Batteries Only for European Union and countries with recycling systems



These symbols on the products, packaging, and/or accompanying documents mean that used electrical and electronic products and batteries must not be mixed with general household waste. For proper treatment, recovery and recycling of old products and used batteries, please take them to applicable collection points, in accordance with your national legislation. By disposing of them correctly, you will help to save valuable resources and prevent any potential negative effects on human health and the environment.

For more information about collection and recycling, please contact your local authority. Penalties may be applicable for incorrect disposal of this waste, in accordance with national legislation.



Note for the battery symbol (bottom symbol):

This symbol might be used in combination with a chemical symbol. In this case it complies with the requirement set by the Directive for the chemical involved.

36-E-1

For India

Information on hazardous constituents as specified in sub-rule1 of rule16 in electrical and electronic equipment.

Declaration of Conformity with the requirements of the E-Waste (Management) Rules with the sub-rule1 of rule16 limits with respect to Lead, Mercury, Cadmium, Hexavalent chromium, Polybrominated biphenyls, Polybrominated diphenyl ethers.

The content of hazardous substance with the exemption of the applications listed in SCHEDULE II of the E-Waste (Management) Rules:

1. Lead (Pb) - not over 0.1% by weight;
2. Cadmium (Cd) - not over 0.01% by weight;
3. Mercury (Hg) - not over 0.1% by weight;
4. Hexavalent chromium (Cr6+) - not over 0.1% by weight;
5. Polybrominated biphenyls (PBBs) - not over 0.1% by weight;
6. Polybrominated diphenyl ethers (PBDEs) - not over 0.1% by weight.



For the purpose of recycling to facilitate effective utilization of resources, please return this product to a nearby authorized collection center, registered dismantler or recycler, or Panasonic service center when disposing of this product.

Please see the Panasonic website for further information on collection centers, etc., or call the customer care toll-free number below.

Website:

<https://www.panasonic.com/in/corporate/e-waste-management.html>

Customer care number (Toll free): 1800 103 1333 or 1800 108 1333

Do's & Don'ts

S.No.	Do's	Don'ts
1	All electrical and electronic products are required to be handed over only to the Authorized recycler.	The product should not be opened by the user himself/herself, but only by authorized service personnel.
2	The product should be handed over only to authorized recycler for disposal.	The product is not meant for re-sale to any unauthorized agencies/scrap dealers/kabariwalas.
3	Keep the product in an isolated area, after it becomes non-functional/unrepairable so as to prevent its accidental breakage.	The product is not meant for mixing into household waste stream.
4	Refer to Operating Instructions for handling of end of life products.	Do not keep any replaced spare part(s) from the product in an exposed area.
5	Always dispose of products that have reached end-of life at Panasonic Life Solutions India Authorized Service Centre.	Do not donate old electronic items to anybody. Do not dispose of your product in garbage bins along with municipal waste that ultimately reaches landfill.
6	Wherever possible or as instructed, separate the packaging material according to responsible waste disposal options and sorting for recycling.	Do not give e-waste to informal and unorganized sectors like Local Scrap Dealers/Rag Pickers.

68-M-4

Before Turning on the Computer

Refer to the following URL for how to attach options to the Expansion areas and replace the keyboard. Confirm the part numbers of the optional items before connection.

<https://askpc.panasonic.co.jp/manual/option/w/>



IMPORTANT

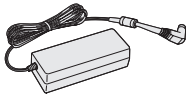
- If the options are not attached, be sure to attach a dummy pack or cover before using.

■ Preparation

① Check and identify the supplied accessories.

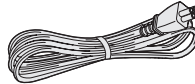
If you do not find the described accessories, contact your support office.

• AC Adaptor^{*1} 1

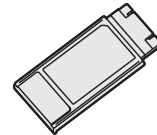


Model No: CF-AA5713A

• AC Cord^{*1} 1



• Battery Pack^{*2} 1 or 2



Model No: FZ-VZSU1HU
FZ-VZSU1HAU

- **OPERATING INSTRUCTIONS - Read Me First (This book)** 1
<Only for model with touchscreen>
- **Stylus** 1
- **Tether** 1

^{*1} Depending on the model, these items are not supplied.

^{*2} Stored in the computer at the time of packing.

■ Latest Information on Windows


When Windows is updated, the screen display or operation procedures may be changed.

For the latest information on Windows, see the following web page.

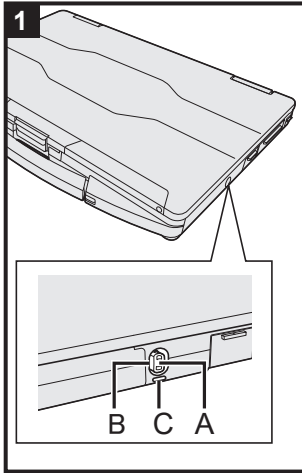
<https://pc-dl.panasonic.co.jp/itn/win11/>

IMPORTANT

Inserting RAM module for expansion

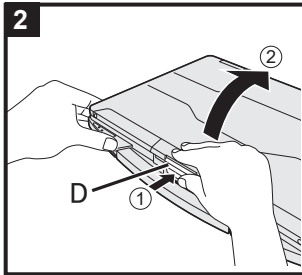
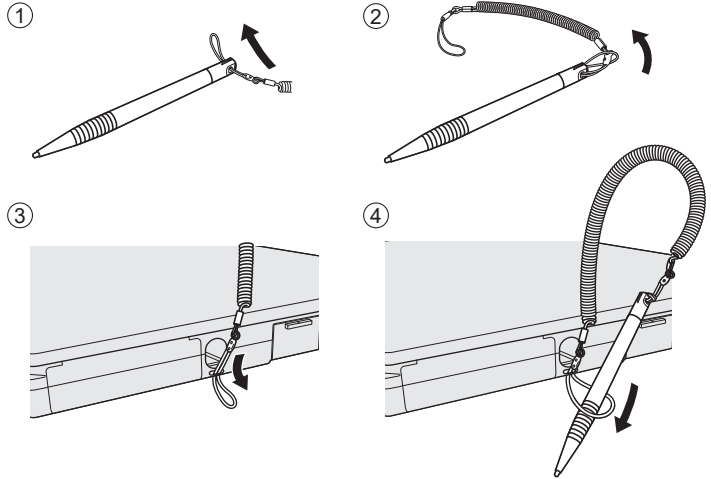
- Use recommended RAM module products. Do not use non-recommended RAM modules. Non-recommended RAM modules may not operate properly, and may cause damage to your computer.
- When adding a RAM module, read  *Operating Instructions - Reference Manual* and mount it using the specified method. Otherwise, the expected performance may not be achieved.

First-time Operation



1 Use the tether to attach the stylus to the computer (only for model with touchscreen)

Use the tether to attach the stylus to the computer so you will not lose it. Before attaching the pen (A), take out it from the pen holder (B). There is a tether hole (C) to attach it.

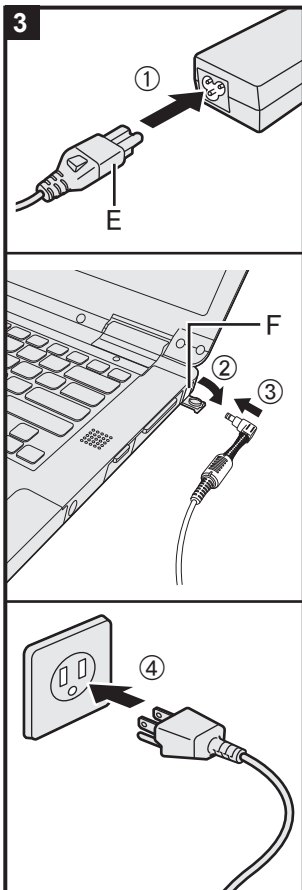


2 Open the display

- ① Push the top of the latch (D) to release it.
- ② Hold the side/handle of the computer with either of your hands and then lift up the display to open.

IMPORTANT

- Do not open the display wider than necessary (180° or more), and do not apply excessive pressure to the LCD. Do not open or close the computer holding the edge of the LCD segment.



3 Connect your computer to a power outlet

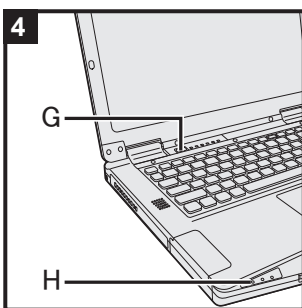
- ① Connect the power cord and AC adaptor.
Hold the plug (E) of the power cord, and securely insert it straight to the end.
- ② Open the cover.
- ③ Connect the AC adaptor to the DC-IN jack (F) of the computer.
- ④ Connect your computer to a power outlet.
The shape of AC Plug and AC Outlet depend on the country.
The battery charging starts automatically.

IMPORTANT


- Do not disconnect the AC adaptor until the first-time operation procedure is completed.
- When using the computer for the first time, do not connect any peripheral device except the battery pack and AC adaptor.
- **Handling the AC adaptor**
Problems such as sudden voltage drops may arise during periods of thunder and lightning. Since this could adversely affect your computer, an uninterruptible power source (UPS) is highly recommended unless running from the battery pack alone.
- When the DC plug is not connected to the computer, disconnect the AC cord from your electrical outlet. Power is consumed simply by having the AC adaptor plugged into an electrical outlet.

4 Turn on the computer

Press the power switch (G) to turn on the power indicator (H).




IMPORTANT

- Do not press the power switch repeatedly.
- Once you turn off the computer, wait for 30 seconds or more before you turn on the computer again.
- Do not perform the following operation until the drive indicator (H) turns off.
 - Disconnecting the AC adaptor
 - Pressing the power switch
 - Touching the keyboard, touchpad, touchscreen <only for model with touchscreen> or external mouse
 - Closing the display
 - Any changes from the default setting of the Setup Utility
- When the CPU temperature is high, the computer may not start up to prevent overheating of the CPU. Wait until the computer cools down, and then turn the power on again. If the computer does not power on even after cooling down, contact Panasonic Technical Support (→  *Operating Instructions - Reference Manual*).

5 Setup Windows

Select language and click [Yes].

Follow the on-screen instructions.

- The computer restarts several times. Do not touch the touchscreen, external keyboard or external mouse, and wait until the drive indicator  has turned off.
- After the computer is turned on, the screen remains black or unchanged for a while, but this is not a malfunction. Wait for a moment until the Windows setup screen appears.
- During setup of Windows, use the touchpad and clicking to move the pointer and to click an item.
- The active network connection and your Microsoft account are required to complete the Windows setup.
- When the “How would you like to set up this device” screen appears, choose your setup method.
- For further information (e.g. network connection, Microsoft account, Wi-Fi point, etc.), contact your technical support office.

6 Restart the computer

① Click  (Start).

② Click  (Power) - [Restart].


- A portion of the Panasonic PC Settings Utility functions will be enabled after the computer restarts.

NOTE


- When the “Emergency notification setting” screen appears, read the on-screen messages carefully. Follow the on-screen instructions. You can set the “Emergency notification setting” after the setup of Windows is complete.

7 Update the on-screen manual

① Connect to the internet. Sign in to Windows as an administrator.


For further information, refer to  *Connect to a network*.

② Update the on-screen manual.



Click  (Start) - [All apps] - [Panasonic PC Manual Selector].

Follow the on-screen instructions.


NOTE

- To display the password input screen every time the computer is resumed from the modern standby or hibernation, perform the following setting.
 - ① Click  (Start) - [Settings] - [Accounts] - [Sign-in options].
 - ② Select [Every Time] in “If you’ve been away, when should Windows require you to sign in again?”.
- Set the key entry mode to English (“ENG”) and enter characters.

The keyboard layout can be added or changed in the following steps.

 - ① Click  (Start) - [Settings] - [Time & language] - [Language & region].
 - ② Click  - [Language options] in the language.
 - ③ Click [Add a keyboard] in “Installed keyboards” and choose a keyboard from the list.
- Remember your password. If you forget the password, you cannot use Windows. Creating a password reset disk beforehand is recommended.
- **PC Information Viewer**

This computer periodically records the management information of the flash memory, etc. The maximum data volume for each record is 1024 bytes. This information is only used for estimating the cause in the case when the flash memory goes down by any possibility. They are never sent to outside via network nor used for any other purpose except for the purpose described the above. To disable the function, add the check mark for [Disable the automatic save function for management information history] in [Hard Disk Status] of PC Information Viewer, and click [OK]. Then follow the on-screen instructions.

(→  *Operating Instructions - Reference Manual* “Troubleshooting” “Troubleshooting” “Checking the Computer’s Usage Status”)

■ How to create a recovery disc

Connect to the Internet before creating a recovery disc.

Note that the Windows version of the recovery disc to be created may be newer than the version at the time of factory shipment.

For detailed information and creation method, see the following web page.


<https://pc-dl.panasonic.co.jp/itn/support/recv/win11recv-dls.html>

“Windows 11 Recovery Image Download Service”

Software License

This product incorporates the following software:

- (1) the software developed independently by or for Panasonic Connect Co., Ltd.,
- (2) the software owned by third party and licensed to Panasonic Connect Co., Ltd.,
- (3) the software licensed under the GNU General Public License Version 2.0 (GPL V2.0),
- (4) the software licensed under the GNU LESSER General Public License, Version 2.1 (LGPL V2.1), and/or
- (5) open source software other than the software licensed under the V2.0 and/or LGPL V2.1.

The software categorized as (3) - (5) are distributed in the hope that it will be useful, but WITHOUT ANY WARRANTY, without even the implied warranty of MERCHANTABILITY or FITNESS FOR A PARTICULAR PURPOSE. Please refer to the detailed terms and conditions thereof shown in the  *Operating Instructions - Reference Manual* "Appendix" "Software License".

At least three (3) years from delivery of this product, Panasonic will give to any third party who contacts us at the contact information provided below, for a charge no more than our cost of physically performing source code distribution, a complete machine-readable copy of the corresponding source code covered under GPL V2.0, LGPL V2.1 or the other licenses with the obligation to do so, as well as the respective copyright notice thereof.

Contact Information: oss-cd-request@gg.jp.panasonic.com

The source code and the copyright notice are also available for free in our website below.

<https://panasonic.net/cns/oss/>

Trademarks

- Microsoft, the Microsoft logo, Windows, the Windows logo, Outlook, OneDrive and Microsoft Teams are registered trademarks or trademarks of Microsoft Corporation of the United States and/or other countries.
- The Bluetooth® word mark and logos are registered trademarks owned by Bluetooth SIG, Inc. and any use of such marks by Panasonic Connect Co., Ltd. is under license. Other trademarks and trade names are those of their respective owners.
- USB Type-C® and USB-C® are registered trademarks of USB Implementers Forum.
- Names of products, brands, etc., appearing in this manual are trademarks or registered trademarks of their respective own companies. However, the ™ or ® marks may not be used in all cases in this manual.

Panasonic Connect Co., Ltd.

Panasonic Connect North America

Two Riverfront Plaza
Newark, NJ 07102

Panasonic Canada Inc.

5770 Ambler Drive, Mississauga,
Ontario L4W 2T3

Panasonic Australia Pty. Limited

ACN 001 592 187 ABN 83 001 592 187
1 Innovation Road, Macquarie Park, NSW 2113

Web Site : <https://panasonic.net/cns/pc/>

