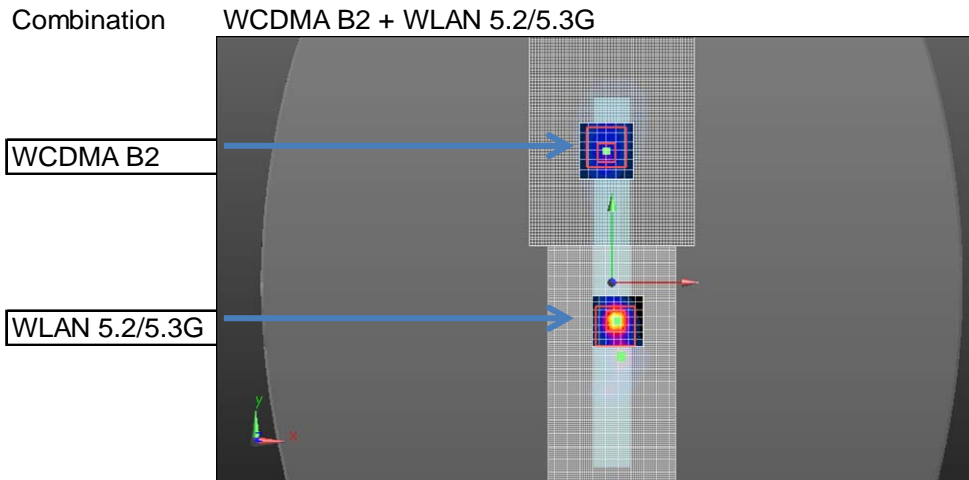


17.23 SAR peak separation for SPLSR

Figure (1)

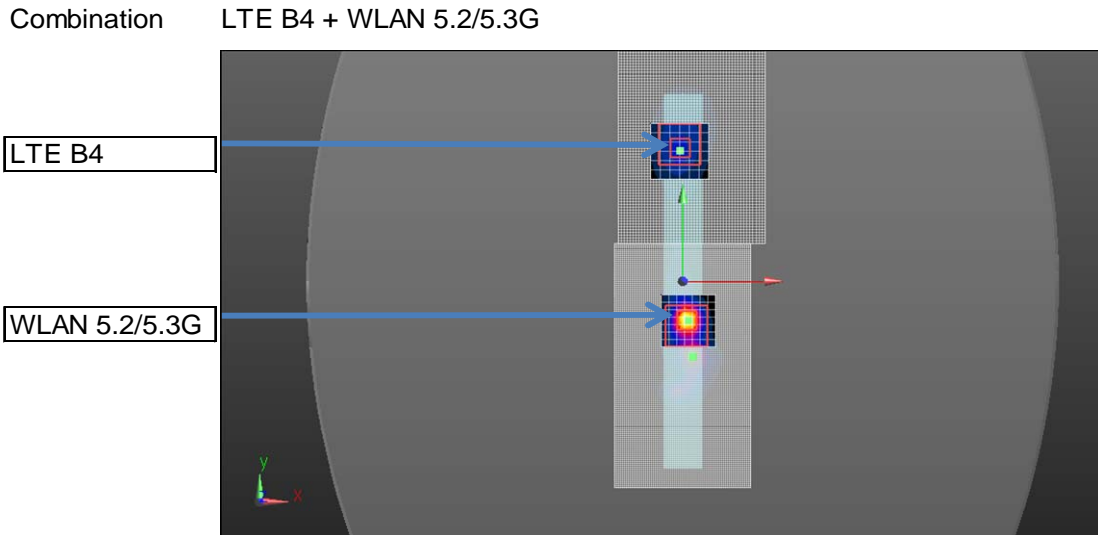


Mode	Ant	No	X cm	Y cm	Z cm	Combination	d: Calculated distance (mm)
WCDMA B2	Main Ant	1	-0.3	6.7	-0.55		
WLAN 5.2/5.3G	Main Ant	2	0.18	-1.98	-0.39	No1+No2	86.95

The Peak Location Separation Distance is computed by using the formula below:

$$\text{SQRT}((X1-X2)^2+(Y1-Y2)^2+(Z1-Z2)^2)$$

Figure (2)



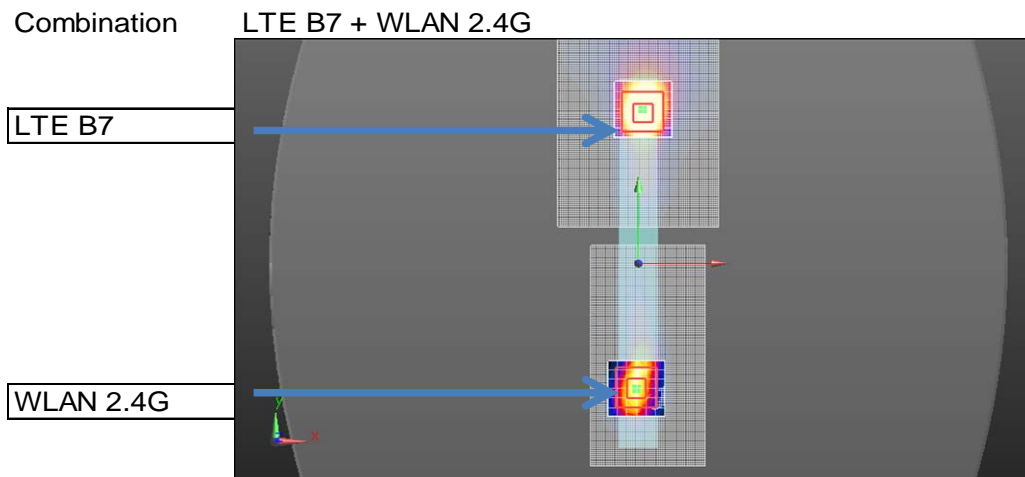
Mode	Ant	No	X cm	Y cm	Z cm	Combination	d: Calculated distance (mm)
LTE B4	Main Ant	1	-0.15	6.65	-0.55		
WLAN 5.2/5.3G	Main Ant	2	0.18	-1.98	-0.39	No1+No2	86.38

The Peak Location Separation Distance is computed by using the formula below:

$$\text{SQRT}((X1-X2)^2+(Y1-Y2)^2+(Z1-Z2)^2)$$

* When SAR peak point was appeared more than 2, worst SAR value point is selected for the calculation.

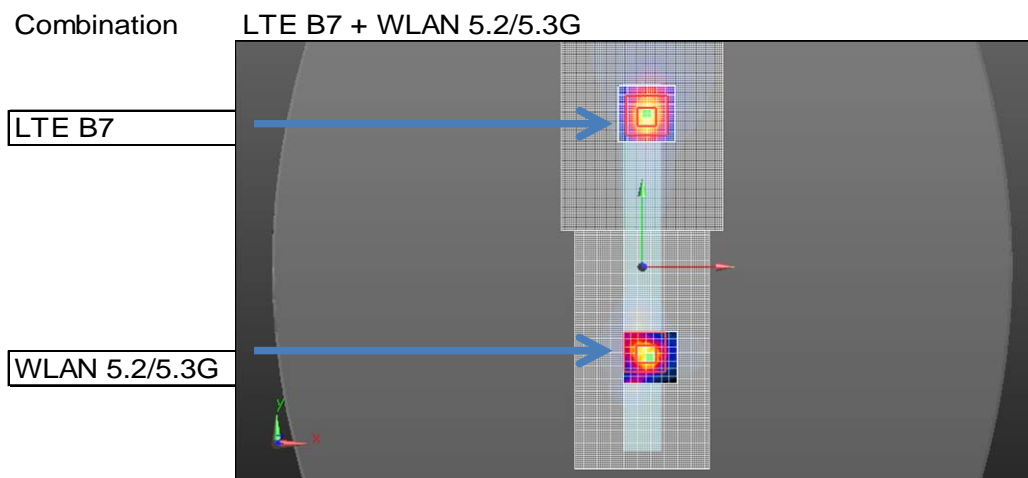
Figure (3)



Mode	Ant	No	X	Y	Z	Combination	d: Calculated distance (mm)
			cm	cm	cm		
LTE B7	Main Ant	1	0.24	7.56	0.21		
WLAN 2.4G	Main Ant	2	0.00	-6.00	-0.57	No1+No2	135.85

The Peak Location Separation Distance is computed by using the formula below:
 $\text{SQRT}((X1-X2)^2+(Y1-Y2)^2+(Z1-Z2)^2)$

Figure (4)

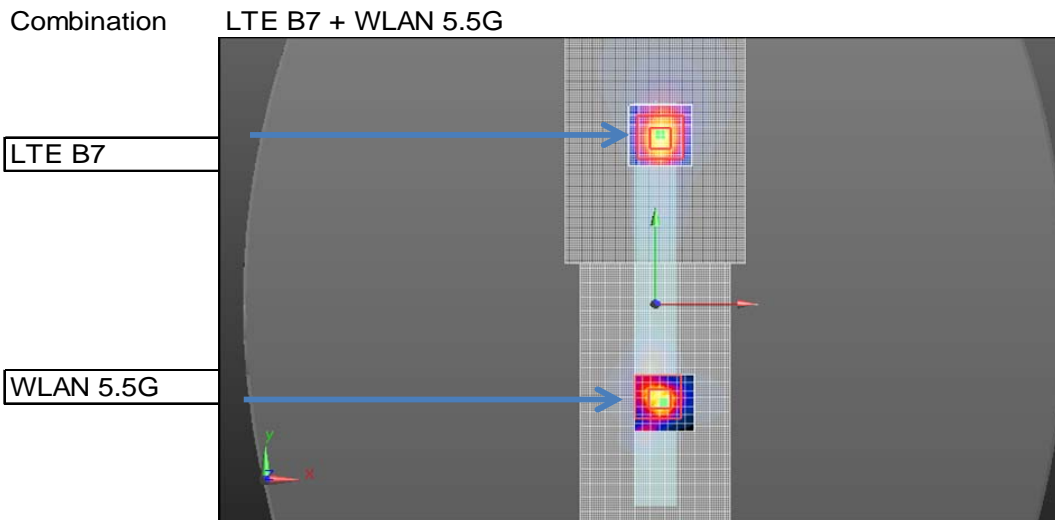


Mode	Ant	No	X	Y	Z	Combination	d: Calculated distance (mm)
			cm	cm	cm		
LTE B7	Main Ant	1	0.24	7.56	0.21		
WLAN 5.2/5.3G	Aux Ant	2	0.18	-1.98	-0.39	No1+No2	95.59

The Peak Location Separation Distance is computed by using the formula below:
 $\text{SQRT}((X1-X2)^2+(Y1-Y2)^2+(Z1-Z2)^2)$

* When SAR peak point was appeared more than 2, worst SAR value point is selected for the calculation.

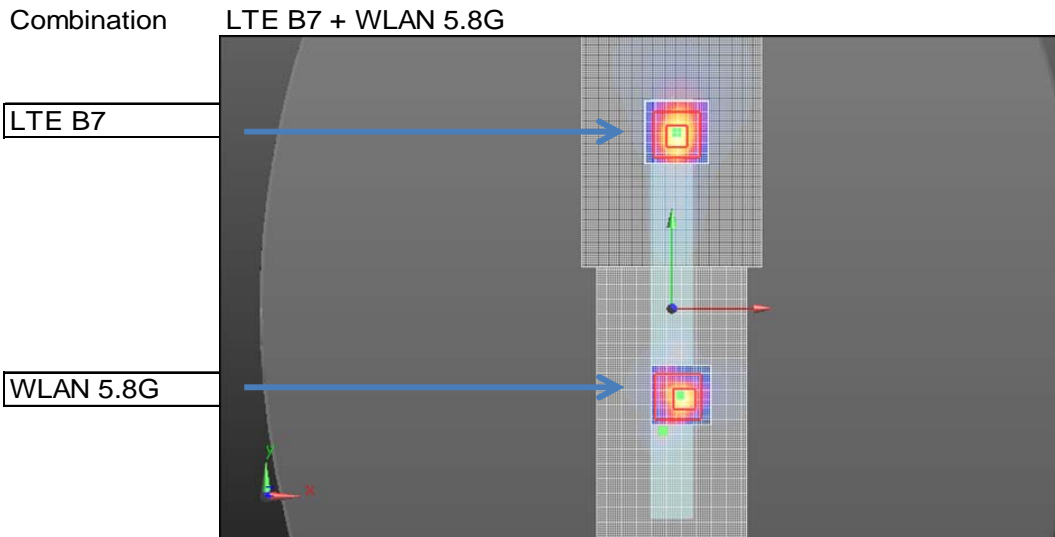
Figure (5)



Mode	Ant	No	X	Y	Z	Combination	d: Calculated distance (mm)
			cm	cm	cm		
LTE B7	Main Ant	1	0.24	7.56	0.21		
WLAN 5.5G	Main Ant	2	0.52	-5.10	-0.53	No1+No2	126.85

The Peak Location Separation Distance is computed by using the formula below:
 $\text{SQRT}((X1-X2)^2+(Y1-Y2)^2+(Z1-Z2)^2)$

Figure (6)

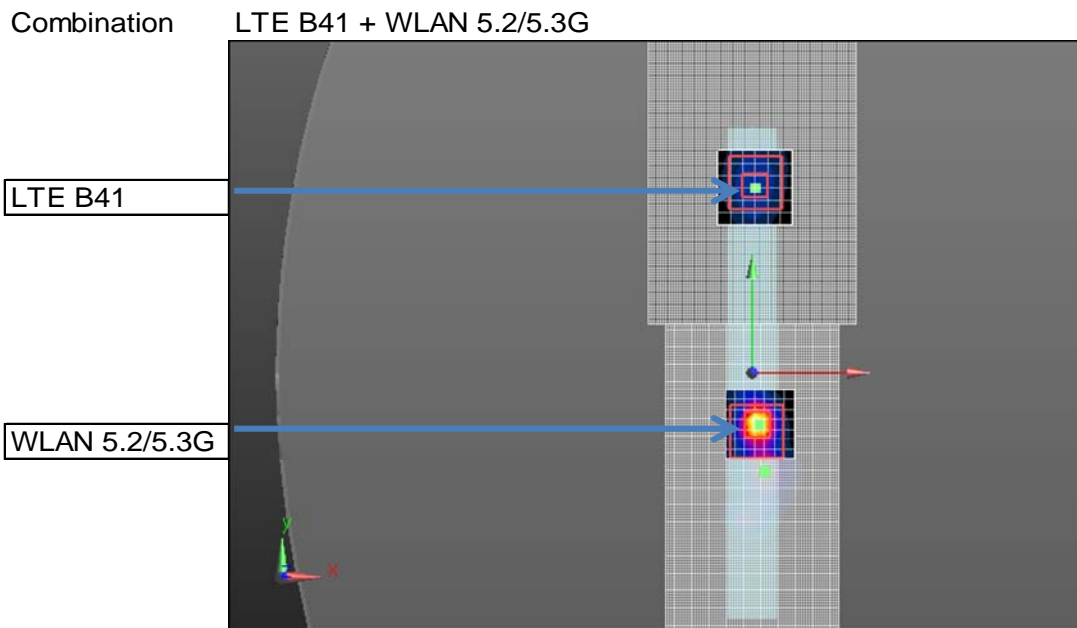


Mode	Ant	No	X	Y	Z	Combination	d: Calculated distance (mm)
			cm	cm	cm		
LTE B7	Main Ant	1	0.24	7.56	0.21		
WLAN 5.8G	Aux Ant	2	0.6	-4.3	-0.35	No1+No2	118.79

The Peak Location Separation Distance is computed by using the formula below:
 $\text{SQRT}((X1-X2)^2+(Y1-Y2)^2+(Z1-Z2)^2)$

* When SAR peak point was appeared more than 2, worst SAR value point is selected for the calculation.

Figure (7)



Mode	Ant	No	X	Y	Z	Combination	d: Calculated distance (mm)
			cm	cm	cm		
LTE B41	Main Ant	1	0.12	7.22	0.04		
WLAN 5.2/5.3G	Main Ant	2	0.18	-1.98	-0.39	No1+No2	92.10

The Peak Location Separation Distance is computed by using the formula below:

$$\text{SQRT}((X1-X2)^2+(Y1-Y2)^2+(Z1-Z2)^2)$$

* When SAR peak point was appeared more than 2, worst SAR value point is selected for the calculation.