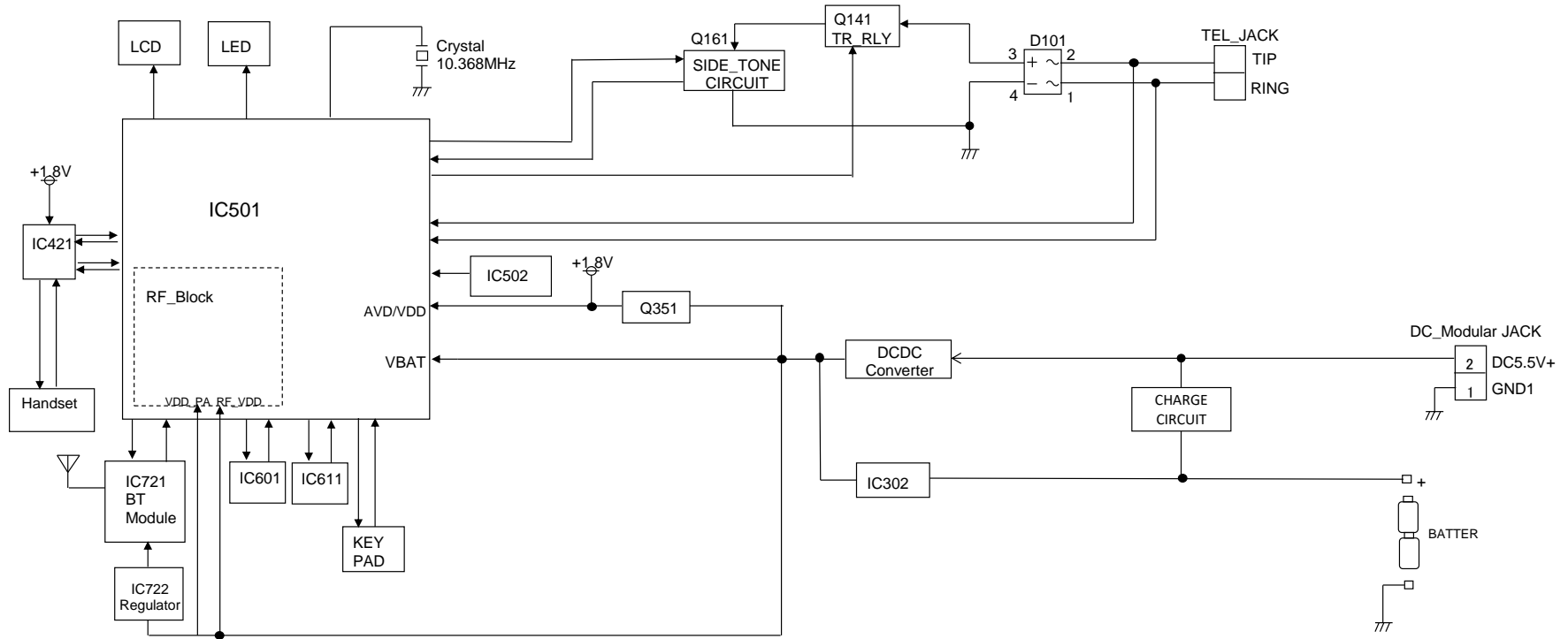
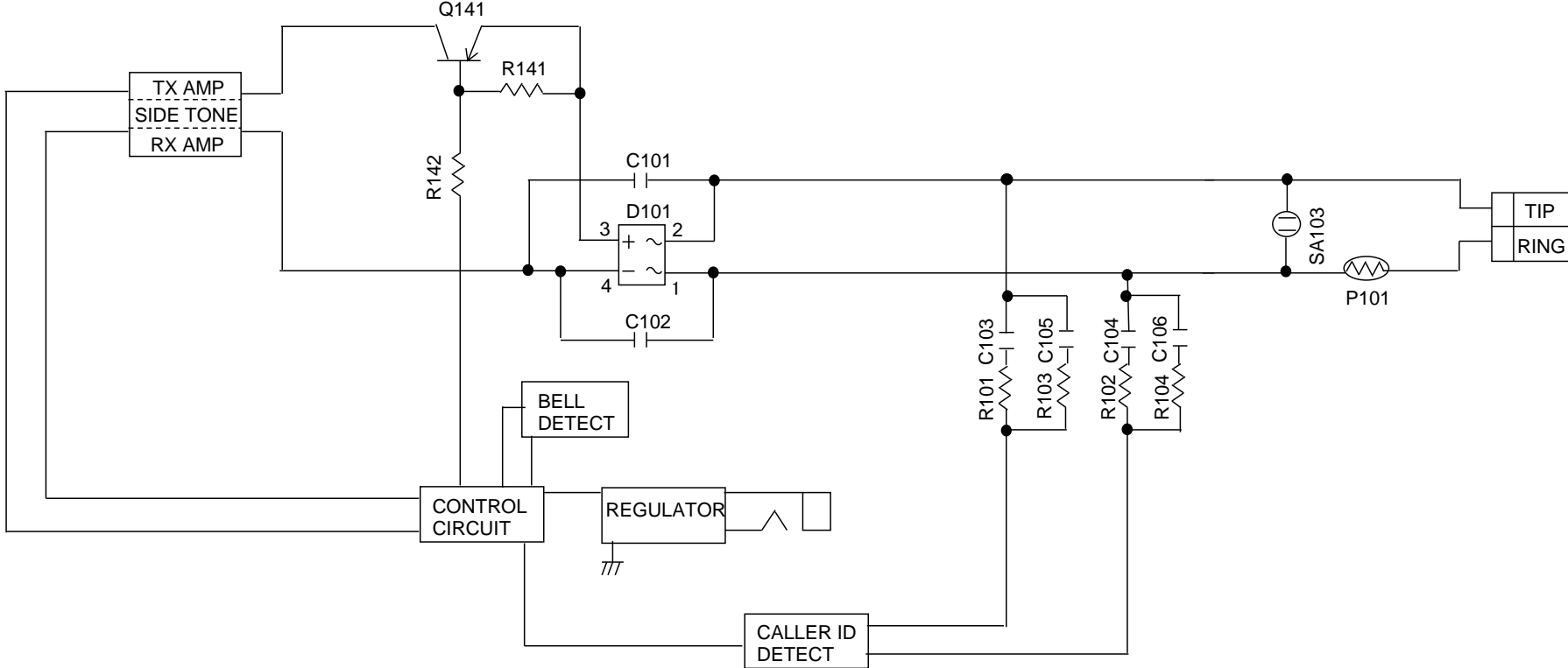


BLOCK DIAGRAM (BASE UNIT)

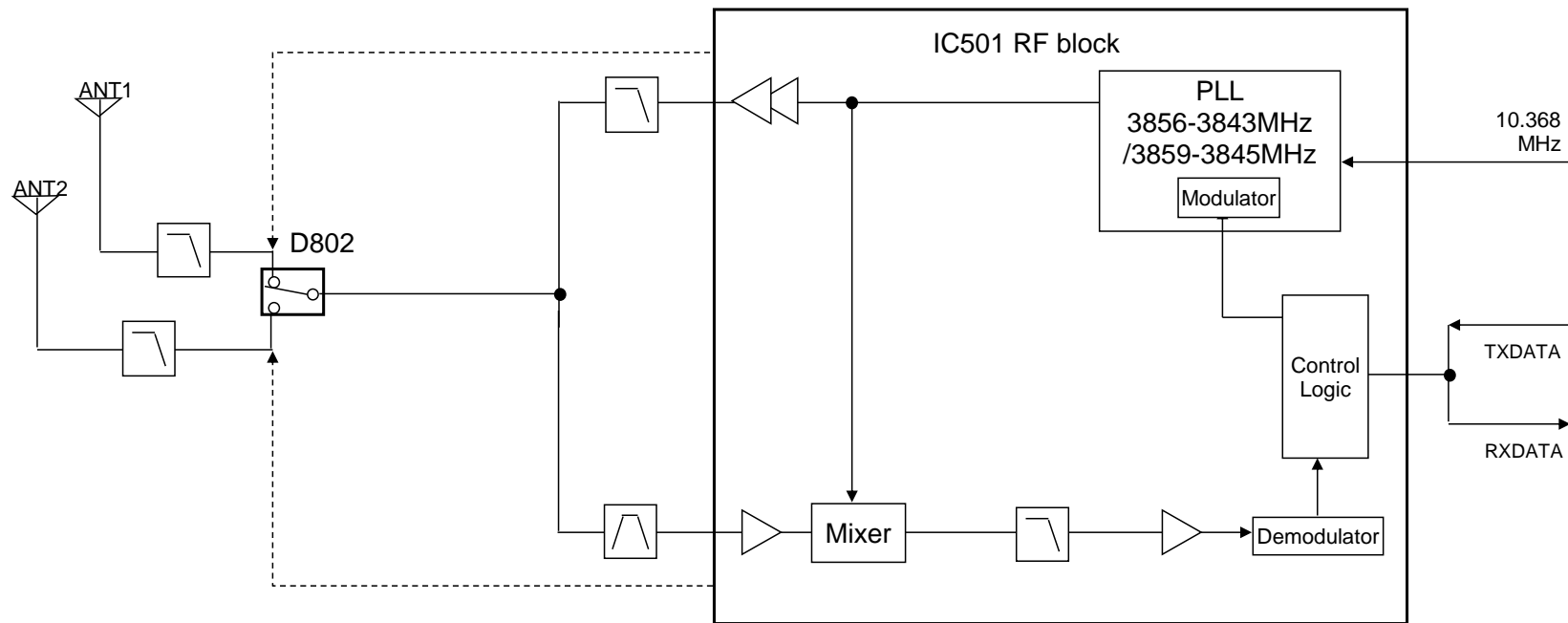


TEL INTERFACE CIRCUIT



BLOCK DIAGRAM

(1.9GHz RF Unit for Base unit)



BLOCK DIAGRAM (2.4GHz RF (BT chipset))

