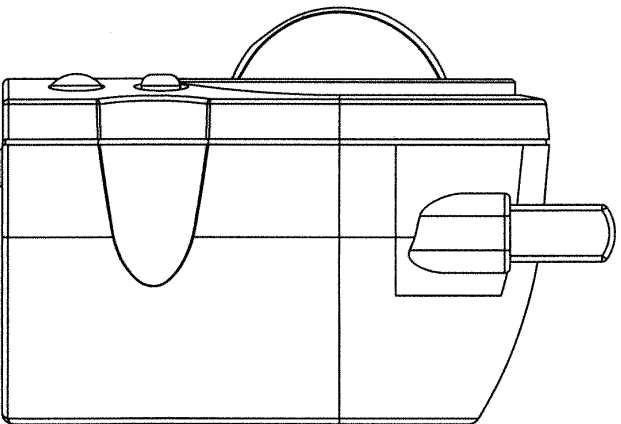
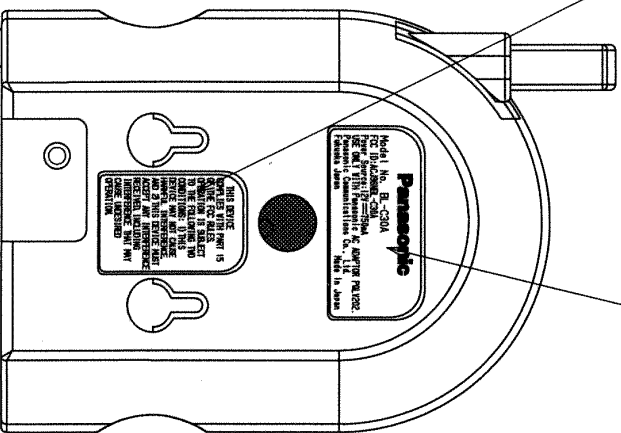


FRONT FACE



LEFT SIDE



BACK FACE

FCC LABEL

NAME PLATE

Panasonic
 Model No. BL-C30A
 FCC ID: 2A93-C30
 This device complies with the FCC's Part 15 rules for unlicensed radio frequency devices. Operation is subject to the following two conditions: (1) This device may not cause harmful interference, and (2) this device must accept any interference that may be received, including interference from the same device.

THIS DEVICE
 OPERATES IN THE 900 MHz ISM BAND. IT IS
 INTENDED FOR USE IN THE U.S. ONLY. IT IS
 NOT TO BE USED IN ANY OTHER COUNTRY.
 TO THE EXTENT PERMITTED BY LAW,
 THE USER ASSUMES ALL LIABILITY FOR
 ANY DAMAGE TO PROPERTY OR PERSONS
 ARISING FROM THE USE OF THIS DEVICE.
 THE USER SHALL BE RESPONSIBLE FOR
 OBTAINING NECESSARY PERMISSIONS
 FROM THE APPLICABLE REGULATORY
 AGENCIES.